



FMX 75

3/4" x 3/4" Self Priming Centrifugal Pump

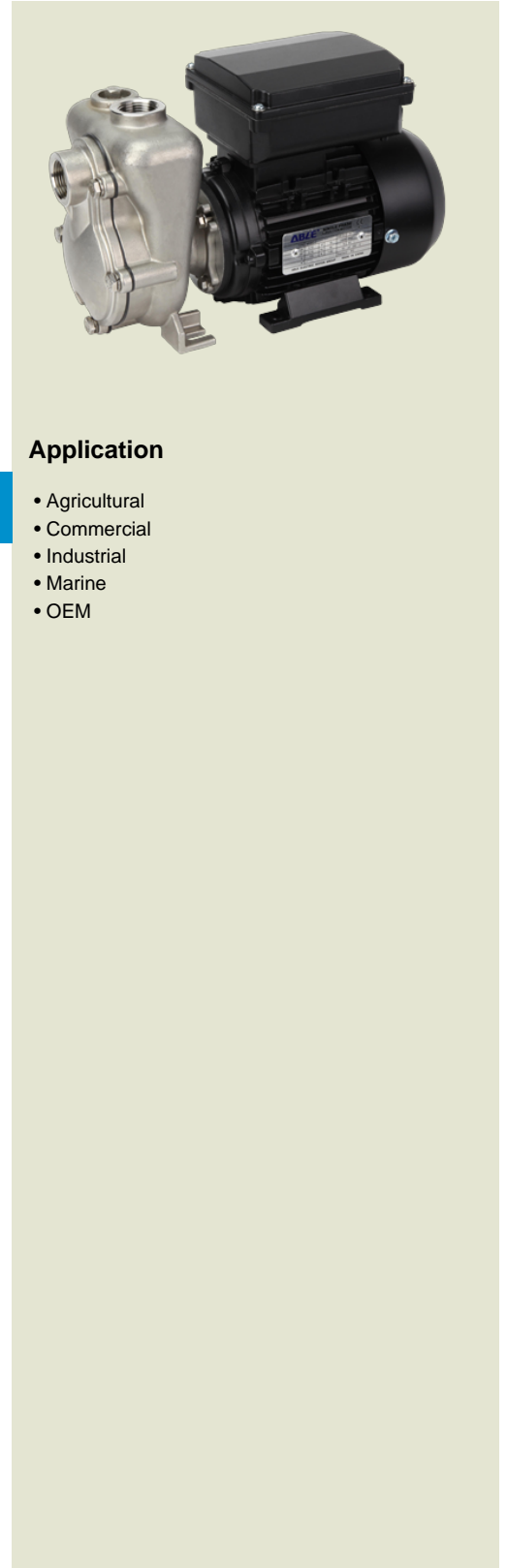
Model FMX 75 is a high performance self-priming 316 stainless steel centrifugal pump. The pump is ideal for marine, industrial, agricultural or commercial applications where suction lift is required.

The FMX 75 model features all 316 stainless steel components for superior corrosion resistance when pumping chemical compounds. A carbon / ceramic / Viton bellows shaft seal is standard. Ports are 3/4" NPT with a 1/8" NPT fill port. The FMX 75 model is capable of 12 foot suction lift (3450 rpm). Marine ignition protected motors (ISO 8846) available.

[ABS Type Approval for the FMX 75 - Download PDF](#)

SPECIFICATIONS:

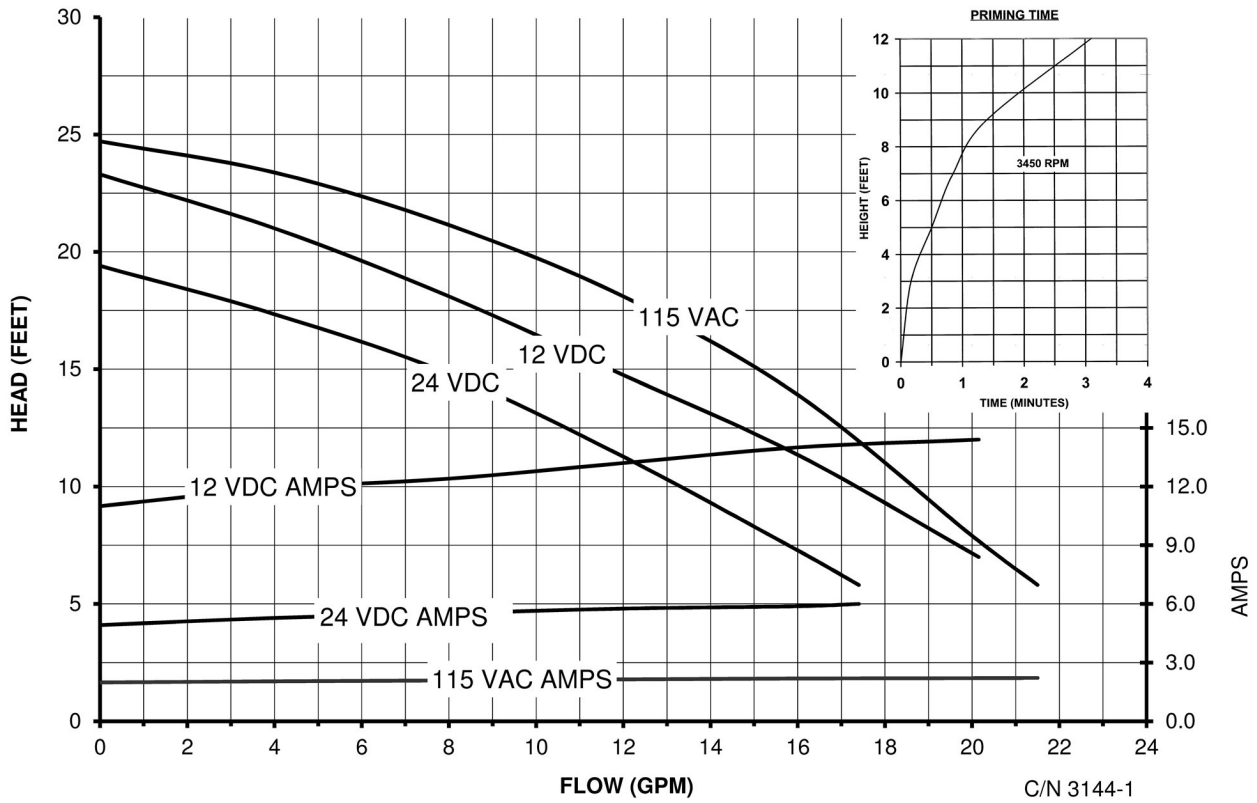
Suction And Discharge	3/4" NPT x 3/4" NPT
Materials Of Construction	316 stainless steel
Flow	Up to 21 GPM
Head Feet	Up to 23'
Impeller	316 stainless steel semi-open
Motor	ISO 8846 motor available
Drive Options	Close coupled 115V AC, Close coupled 12V DC, Close coupled 230V AC, Close coupled 24V DC
Seal	Special seals upon request, Standard carbon / ceramic / Viton
Patent	US PATENT # 8,202,046 B2



Application

- Agricultural
- Commercial
- Industrial
- Marine
- OEM

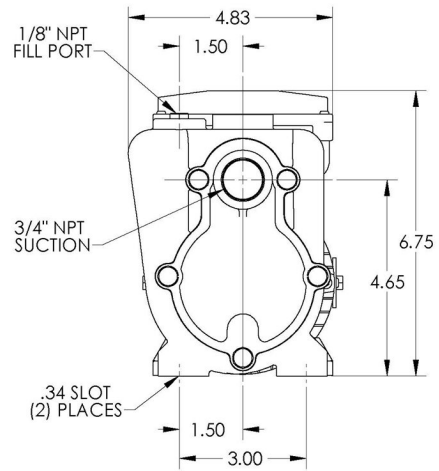
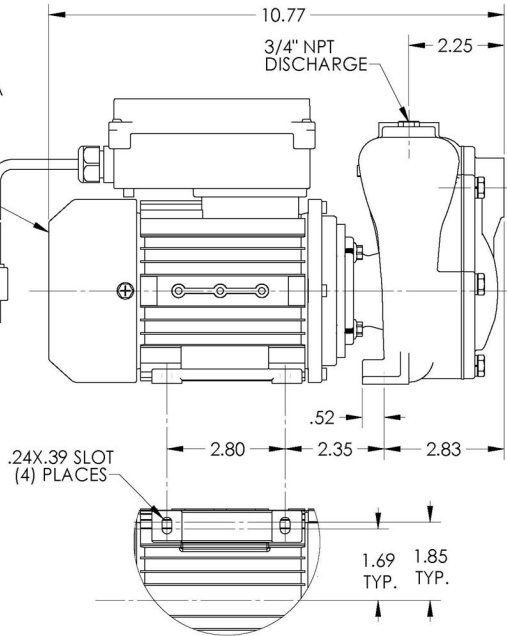
MODEL: FRX75-SP PUMP
PORTS: 3/4" X 3/4" NPT



DRAWING NO.

35321

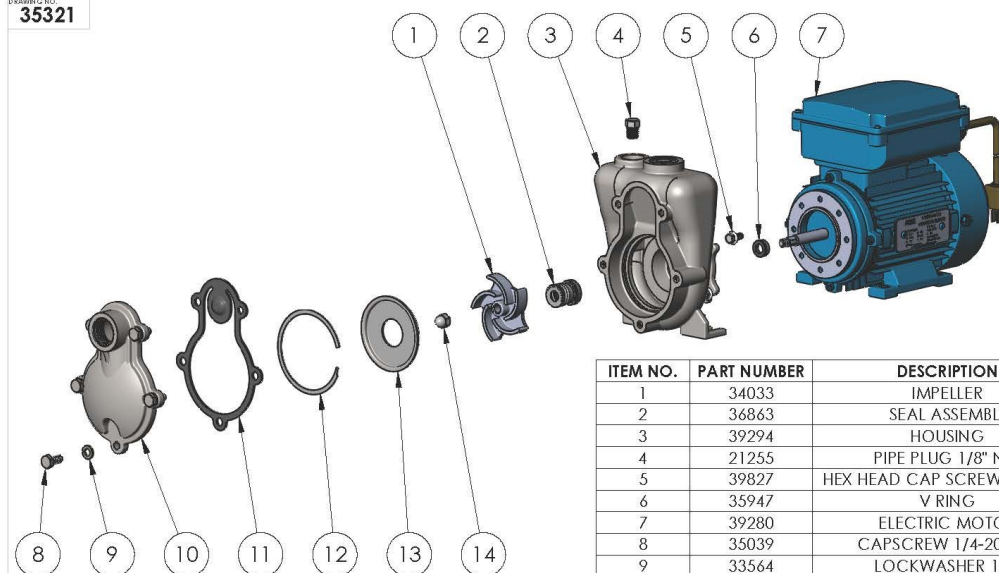
PSC MOTOR
IEC 56 B34 FRAME
115 VAC, 60 HZ
1/6HP, 3450RPM, 2.1FLA
CONTINUOUS DUTY
TEFC IP55 ENCLOSURE
AUTOMATIC THERMAL
OVERLOAD



NOTE: THIS DRAWING OR PRINT, PROPERTY OF MP PUMPS INC. (MP PUMPS INC.) CONTAINS PROPRIETARY AND CONFIDENTIAL INFORMATION. IT SHALL BE USED ONLY AS APPROVED BY MP PUMPS AND SHALL NOT BE GIVEN TO OTHERS OR COPIED WITHOUT THE WRITTEN CONSENT OF MP PUMPS. RETURN TO MP PUMPS PROMPTLY WHEN REQUESTED.

G						UNLESS OTHERWISE NOTED THIRD ANGLE PROJECTION	MP PUMPS, INC.					
F						2 PLACE DIM $\pm .020$ 3 PLACE DIM $\pm .010$ ANGULAR DIM $\pm 1^\circ$	FRASER, MICHIGAN 48026, U.S.A.					
E						DO NOT SCALE	MATERIAL	316 STAINLESS STEEL				
D							DRAWN BY	DATE COMP.	APPROV.	SCALE	MADE FOR	MADE FROM
C							S.E.B.	11-16-06	D.D.	1:2		
B	REMOVE KENT MOTOR CHANGE TO ABLE MOTOR	ECN# 1562	C.W.	11-30-15	DD	NAME	DRAWING NO. 35321					
A	ECN#1450 REMOVE SEAL T-16, ADD SEAL T-21	SF	7/15/14	DD		FMX75 SS:1/6-1 115V 60HZ TEFC T-21						
REV	DESCRIPTION		DRAWN	DATE	EN							

DRAWING NO.
35321



ITEM NO.	PART NUMBER	DESCRIPTION	MATERIAL	QTY.
1	34033	IMPELLER	316 STAINLESS STEEL	1
2	36863	SEAL ASSEMBLY	VITON/SC	1
3	39294	HOUSING	316 STAINLESS STEEL	1
4	21255	PIPE PLUG 1/8" NPT	316 STAINLESS STEEL	1
5	39827	HEX HEAD CAP SCREW M5 X 0.8	304 STAINLESS STEEL	4
6	35947	V RING	VITON	1
7	39280	ELECTRIC MOTOR	TEFC	1
8	35039	CAPSCREW 1/4-20X5/8	316 STAINLESS STEEL	5
9	33564	LOCKWASHER 1/4"	304 STAINLESS STEEL	5
10	35024	COVER	316 STAINLESS STEEL	1
11	35025	GASKET	VITON	1
12	35027	SNAP RING	316 STAINLESS STEEL	1
13	35026	WEAR PLATE	316 STAINLESS STEEL	1
14	28766	ACORN NUT	316 STAINLESS STEEL	1

NOTE: THIS DRAWING OR PRINT, PROPERTY OF MP PUMPS INC. (MP PUMPS INC.) CONTAINS PROPRIETARY AND CONFIDENTIAL INFORMATION. IT SHALL BE USED ONLY AS APPROVED BY MP PUMPS AND SHALL NOT BE GIVEN TO OTHERS OR COPIED WITHOUT THE WRITTEN CONSENT OF MP PUMPS. RETURN TO MP PUMPS PROMPTLY WHEN REQUESTED.

G					UNLESS OTHERWISE NOTED THIRD ANGLE PROJECTION	MP PUMPS, INC.				
F					2 PLACE DIM ±.020	FRASER, MICHIGAN 48026, U.S.A.				
E					3 PLACE DIM ±.010	MATERIAL 316 STAINLESS STEEL				
D					ANGULAR DIMS 1°	DRAWN BY DATE CONF. APPROX. SCALE MADE FOR MADE FOR				
C					DO NOT SCALE	S.E.B.	11-16-06	D.D.	1:2	DRAWING NO. 35321
B	REVISE BENT MOTOR CHANGE TO ABLE MOTOR	ECN# 1562	C.W.	11-24-15	DD					
A	ECN# 1450 REMOVE SEAL 1-16, ADD SEAL 921	SF	7/15/14	DD	FMX75 SS:1/6-1 115V 60HZ TEFC T-21					
REV	DESCRIPTION	DRAWN	DATE	EN						