



CFX 75

3/4" x 3/4" End Suction Centrifugal Pump

Model CFX 75 is a high performance 316 stainless steel centrifugal pump. The pump is ideal for marine, agricultural, commercial or industrial transfer applications of compatible fluids.

The CFX 75 model features all 316 stainless steel components for superior corrosion resistance when pumping chemical compounds. A carbon / ceramic / Viton bellows shaft seal is standard. Ports are 3/4" NPT. Marine ignition protected motors (ISO 8846) available. Pump rotation in 90° increments.

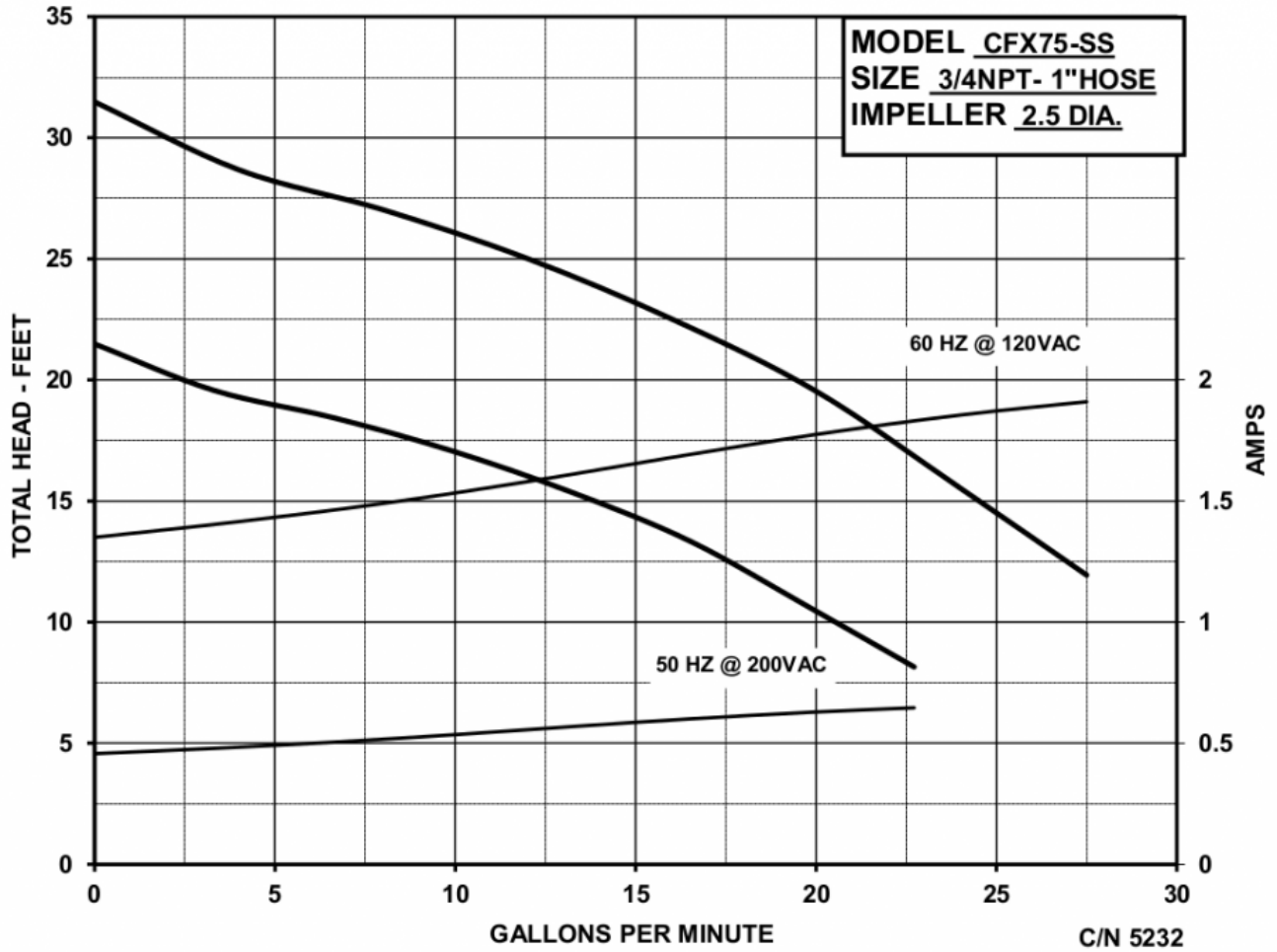


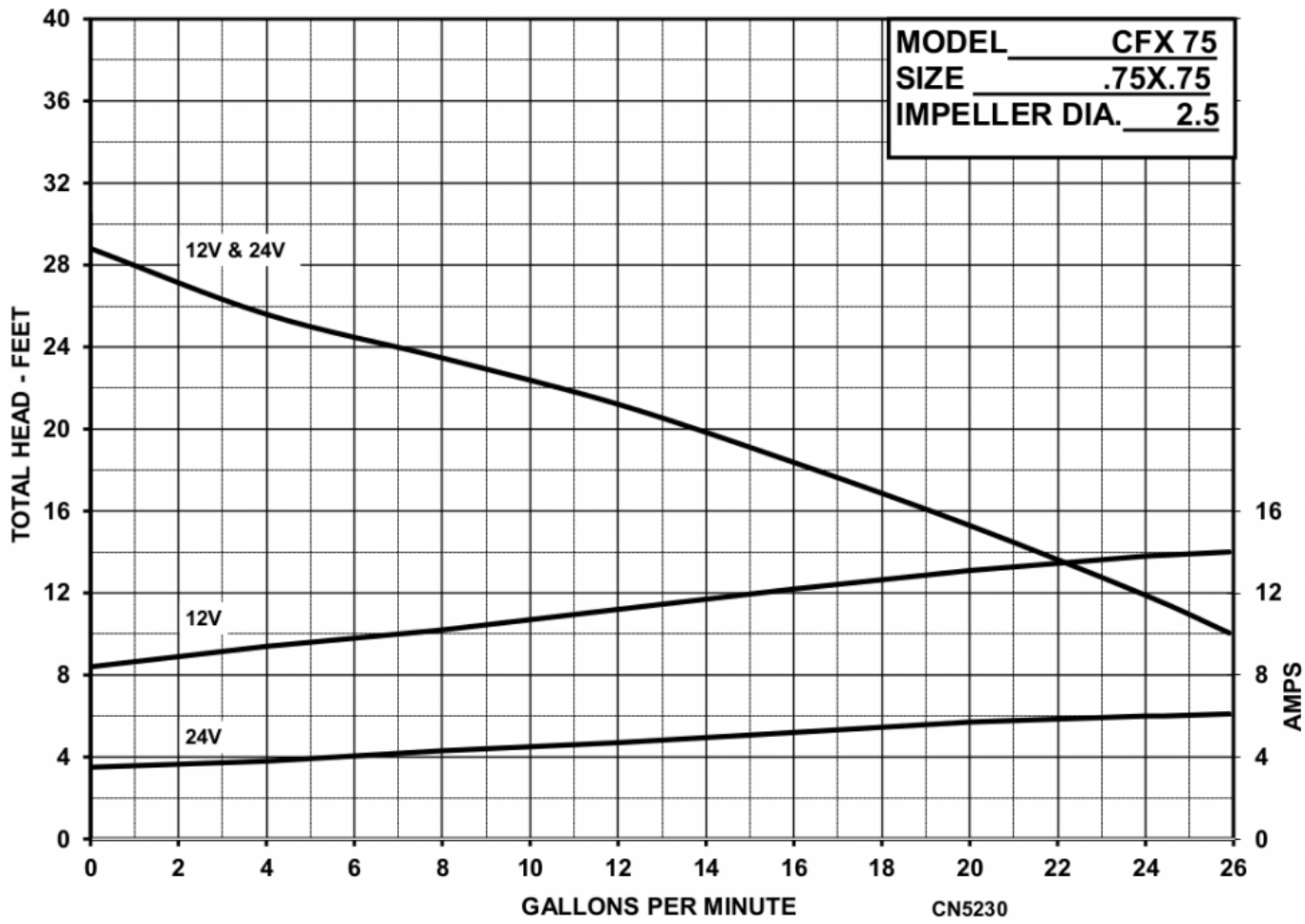
SPECIFICATIONS:

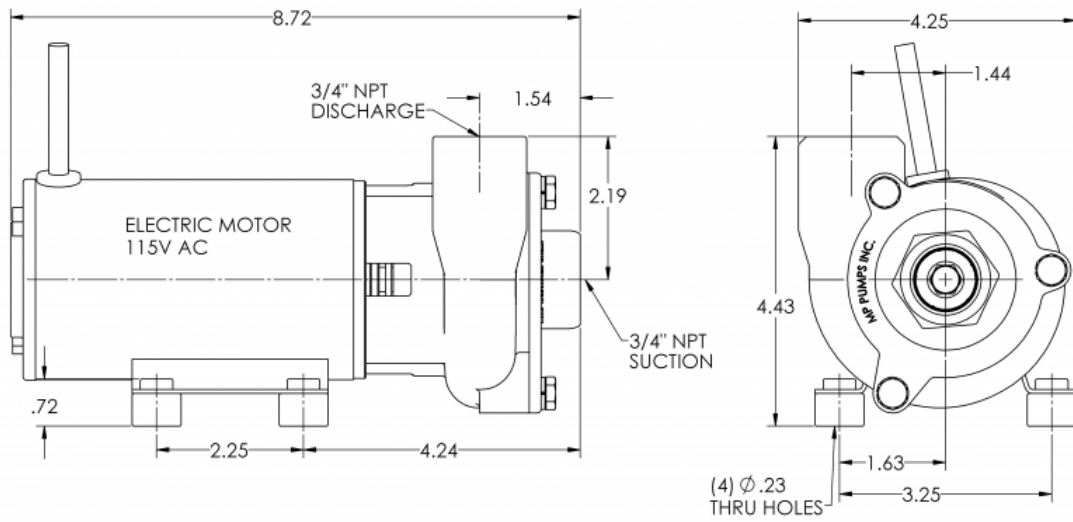
Suction And Discharge	3/4" NPT x 3/4" NPT
Materials Of Construction	316 stainless steel
Flow	Up to 28 GPM
Head Feet	Up to 32'
Impeller	316 Stainless steel, Semi-Open (Sintered PM)
Motor	ISO 8846 motor available
Drive Options	Close coupled 115V AC, Close coupled 12V DC, Close coupled 230V AC, Close coupled 24V DC, Close coupled 32V DC
Seal	Special seals upon request, Standard carbon/ceramic/Viton Bellows 150 PSI

Application

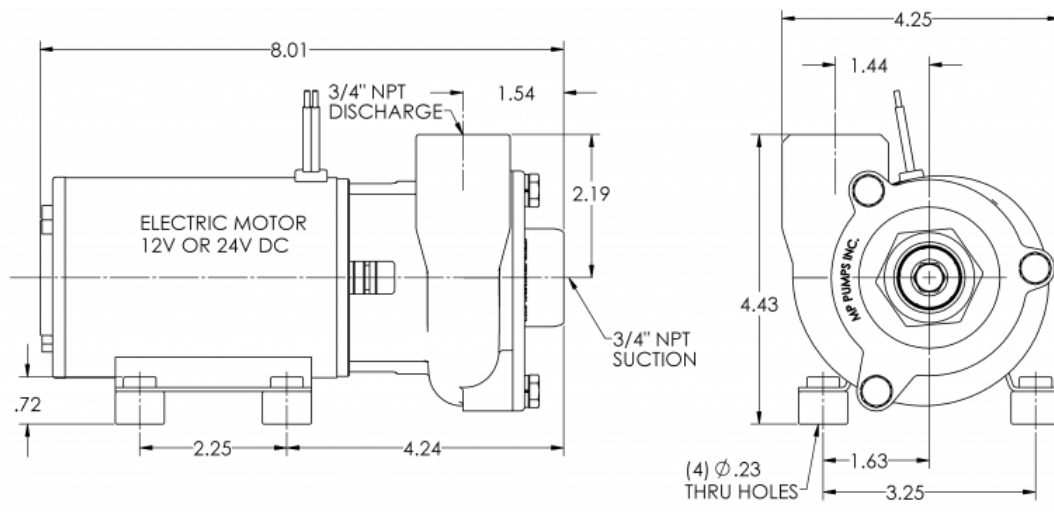
- Agricultural
- Commercial
- Industrial
- Marine
- OEM
- Transportation



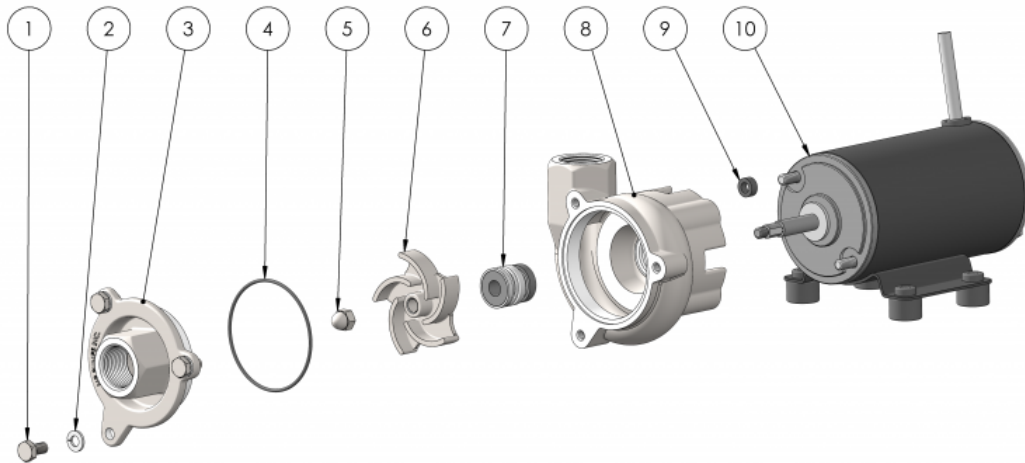




CFX 75 WITH AC MOTOR

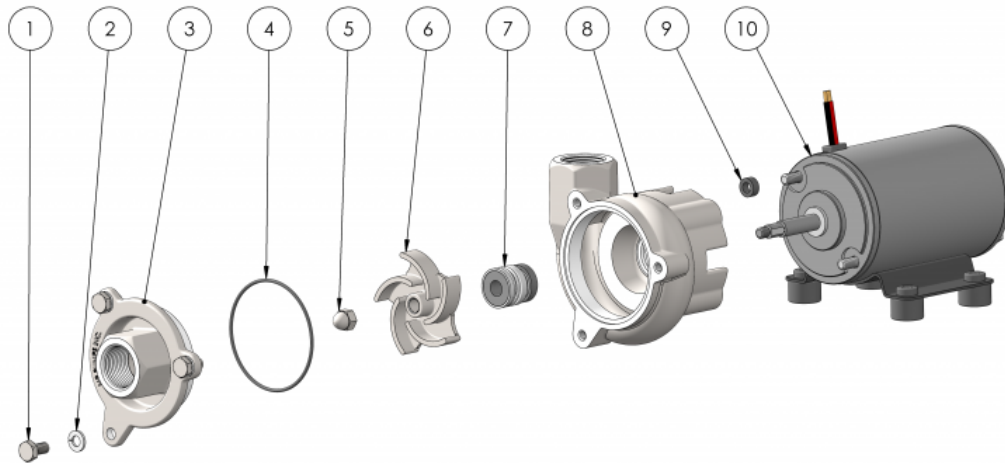


CFX 75 WITH DC MOTOR



CFX 75 WITH AC MOTOR

ITEM NO.	PART NUMBER	DESCRIPTION	MATERIAL	QTY.
1	34037	CAPSCREW SS:HH 1/4-20 X1/2	316 SS	3
2	33564	LOCKWASHER 1/4"	304 SS	3
3	34035	COVER	316 SS	1
4	34040	O-RING AS-568-037	VITON	1
4	35497	O-RING AS-568-037	BUNA	1
5	28766	ACORN NUT	316 SS	1
6	34033	IMPELLER	316 SS	1
7	34038	SEAL ASSEMBLY T-16	CCV	1
7	28841	SEAL ASSEMBLY T-16	CAR/SIL	1
7	36055	SEAL ASSEMBLY T-16	CAR/SILC	1
7	36863	SEAL ASSEMBLY T-21	CAR/SILC	1
7	38266	SEAL ASSEMBLY T-16	CAR/CER	1
7	39170	SEAL ASSEMBLY T-21	SILCAR/SI	1
8	34032	HOUSING	316 SS	1
9	34369	GROMMET	BUNA	2
10	34295	ELECTRIC MOTOR 115V AC	TEFC	1



ITEM NO.	PART NUMBER	DESCRIPTION	MATERIAL	QTY.
1	34037	CAPSCREW SS:HH 1/4-20 X1/2	316 SS	3
2	33564	LOCKWASHER 1/4"	304 SS	3
3	34035	COVER	316 SS	1
4	34040	O-RING AS-568-037	VITON	1
4	35497	O-RING AS-568-037	BUNA	1
5	28766	ACORN NUT	316 SS	1
6	34033	IMPELLER	316 SS	1
7	34038	SEAL ASSEMBLY T-16	CCV	1
7	28841	SEAL ASSEMBLY T-16	CAR/SIL ZETPOL	1
7	36055	SEAL ASSEMBLY T-16	CAR/SILCAR VITON	1
7	36863	SEAL ASSEMBLY T-21	CAR/SILCAR VITON	1
7	38266	SEAL ASSEMBLY T-16	CAR/CERAMIC EPDM	1
7	39170	SEAL ASSEMBLY T-21	SILCAR/SILCAR/VITON	1
8	34032	HOUSING	316 SS	1
9	34369	GROMMET	BUNA	2
10	34036	ELECTRIC MOTOR 12V DC	TEFC	1
10	34293	ELECTRIC MOTOR 24V DC	TEFC	1

CFX 75 WITH DC MOTOR