



CHEMFLO 3 PEDESTAL

2" x 1-1/2" End Suction Centrifugal Pump with Enclosed Impeller

MP Pumps has re-designed the Chemflo® 3 housing allowing for the acceptance of both a semi-open and enclosed impeller. The enclosed impeller improves pump efficiency over the semi-open impeller making it an ideal option when pumping fluids without large solids. Maximum solids should not exceed .25 diameter.

All wetted components are 316 investment cast stainless steel providing superior corrosion resistance when pumping chemical compounds. The Chemflo® 3 is adaptable for close coupling to both 56C 145TC and 184C NEMA frame electric motors. Pedestal (Bare Shaft) mounting is available for long-coupling. The Chemflo® 3 is also available with the MP Hy-Speed hydraulic motor.

If ordering a pumpak with a 145TC please note that the electric motor must have a base.



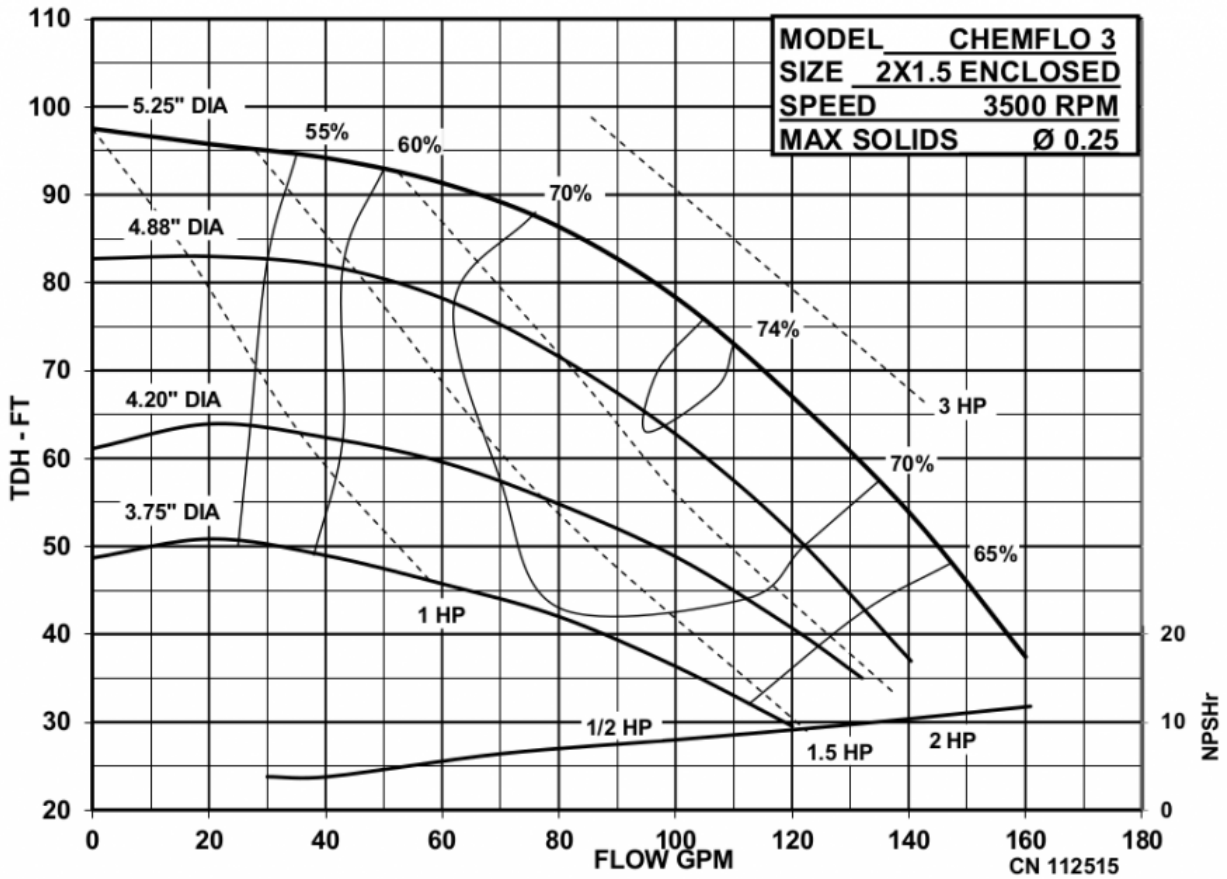
SPECIFICATIONS:

Suction And Discharge	2" x 1-1/2" NPT
Materials Of Construction	316 stainless steel
Flow	160 GPM
Head Feet	98 TDH
Impeller	5.25" enclosed, cast 316 SS
Drive Options	Close coupled 56C, Close coupled 145TC, Close coupled 184C, Pedestal, PumPAK® (without motor)
Seal	Special seal material combinations available (consult factory), Standard carbon / ceramic / Viton

Application

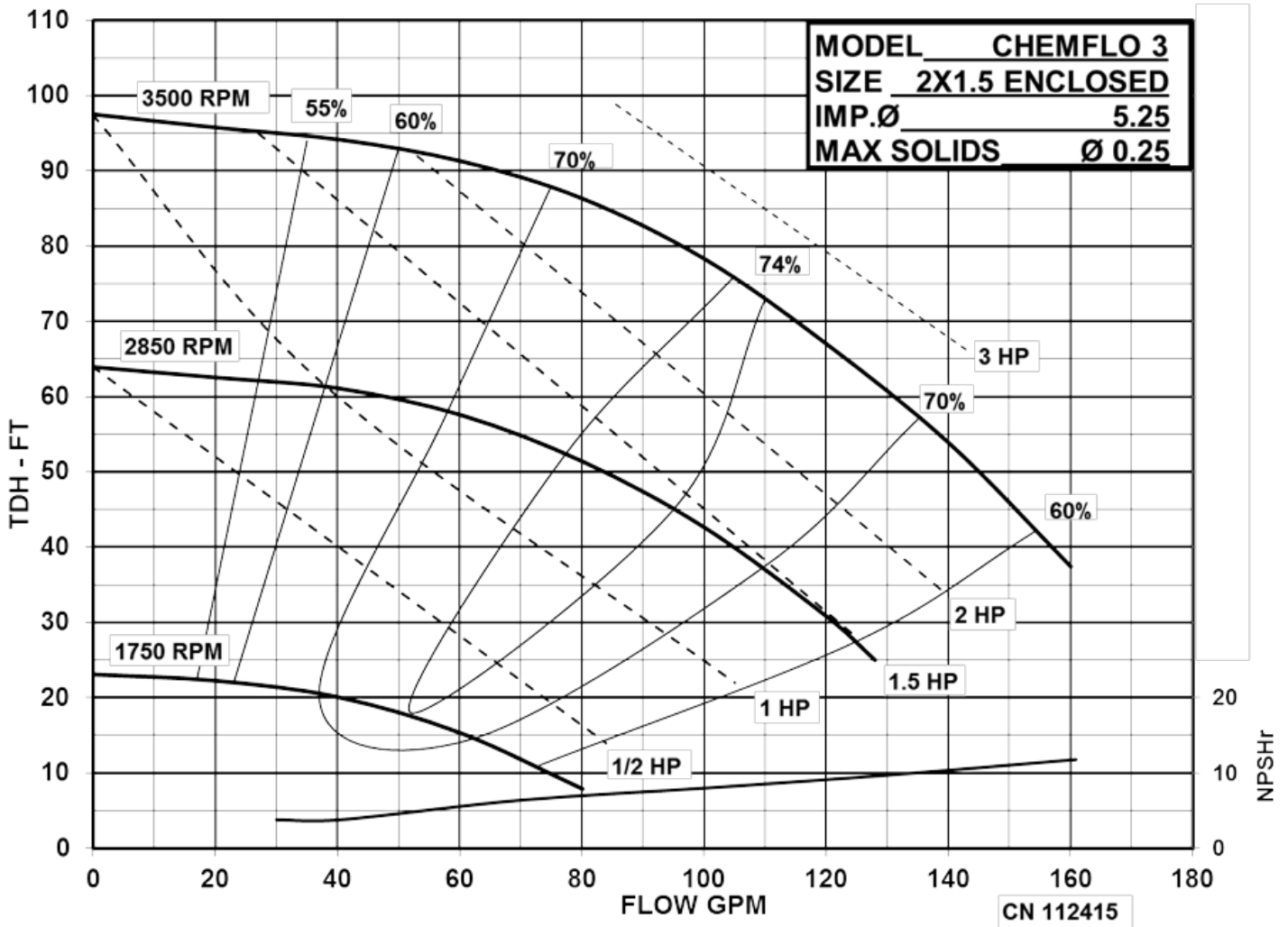
- Agricultural
- Commercial
- Industrial
- OEM

CHEMFLO 3 PEDESTAL



34800 BENNETT - FRASER, MI 48026-1686
 (586) 293-8240 - FAX (586) 293-8469
 (800) 563-8006 - www.mppumps.com

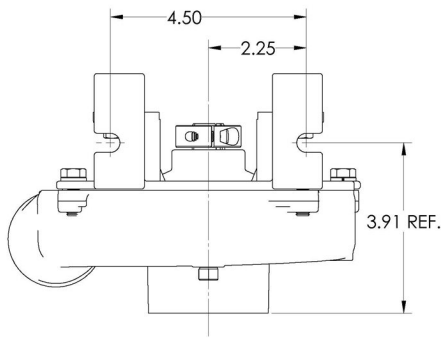
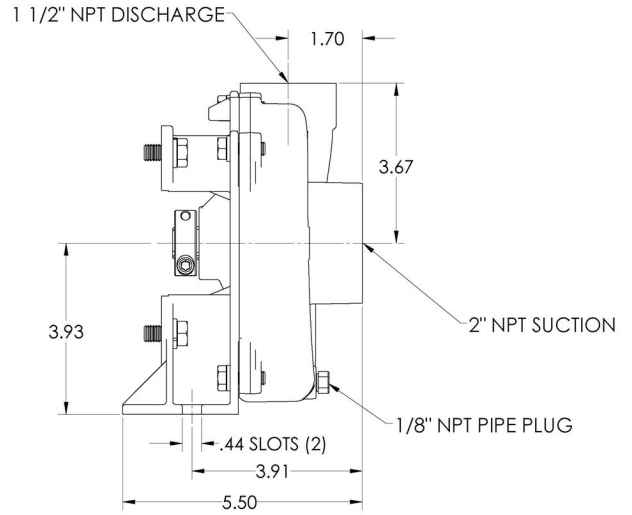
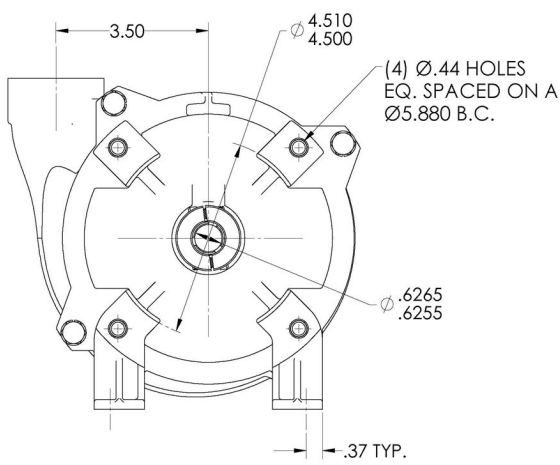
CHEMFLO 3 PEDESTAL



34800 BENNETT - FRASER, MI 48026-1686
 (586) 293-8240 - FAX (586) 293-8469
 (800) 563-8006 - www.mppumps.com

CHEMFLO 3 PEDESTAL

DRAWING NO. **39621**

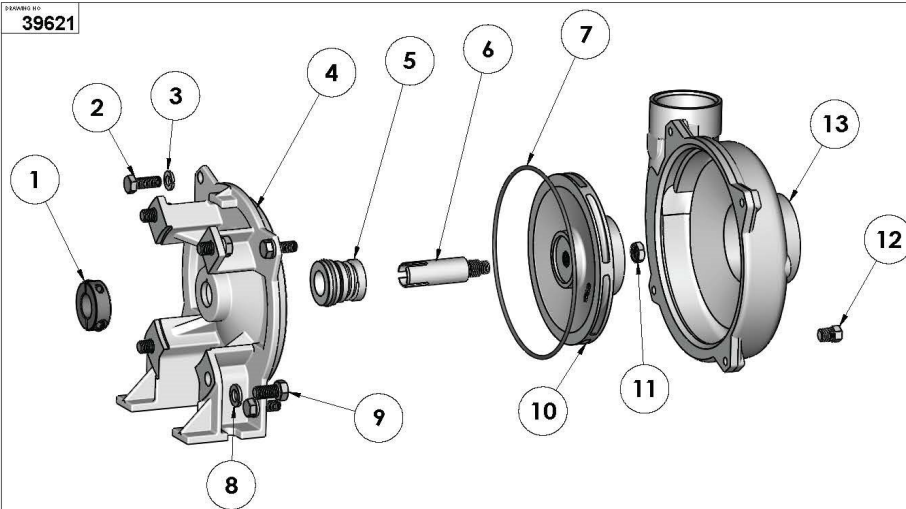


NOTE: THIS DRAWING OR PRINT, PROPERTY OF MP PUMPS, INC. CONTAINS PROPRIETARY AND CONFIDENTIAL INFORMATION. IT SHALL BE USED ONLY AS APPROVED BY MP PUMPS AND SHALL NOT BE GIVEN TO OTHERS OR COPIED WITHOUT THE WRITTEN CONSENT OF MP PUMPS. RETURN TO MP PUMPS PROMPTLY WHEN REQUESTED.

G					UNLESS OTHERWISE NOTED THIRD ANGLE PROJECTION		MP PUMPS, INC.	
F					MATERIAL:			
E					DRAWN BY: C.W.		DATE: 7-19-16	APPROV: JAM
D					SCALE: FULL		MADE FOR:	MADE FROM:
C					DO NOT SCALE			
B					NAME: CF3 PUMPAK INSTALL. DWG.		DRAWING NO:	39621
A					DESCRIPTION	DRAWN	DATE	BY
REV								

CHEMFLO 3 PEDESTAL

DRAWING NO.
39621



ITEM NO.	PART NUMBER	DESCRIPTION	MATERIAL	QTY.
1	28049	CLAMP	ZINC PLATED STEEL	1
2	21242	CAP SCREW HH 5/16-18 X 7/8	304 STAINLESS STEEL	4
3	21238	LOCKWASHER 5/16 X 1/8	304 STAINLESS STEEL	4
4	29908	ADAPTER CHEMFLO 56C	S.S. CF8M	1
5	30061	SEAL ASSY T-2100	CCS VITON	1
6	29785	DRIVE SLEEVE	316 STAINLESS STEEL	1
7	29715	O RING AS 568-162	VITON	1
8	21266	LOCKWASHER 3/8 X 1/8	304 STAINLESS STEEL	4
9	25663	CAPSCREW 3/8-16 X 3/4	304 STAINLESS STEEL	4
10	39569	IMPELLER	S.S. CF8M	1
11	35598	HEX JAM NUT SS: 3/8-24	316 STAINLESS STEEL	1
12	21255	PIPE PLUG 1/8" NPT	316 STAINLESS STEEL	1
13	39587	HOUSING CF3	S.S. CF8M	1

NOTE: THIS DRAWING OR PRINT, PROPERTY OF MP PUMPS, INC., CONTAINS PROPRIETARY AND CONFIDENTIAL INFORMATION. IT SHALL BE USED ONLY AS APPROVED BY MP PUMPS AND SHALL NOT BE GIVEN TO OTHERS OR COPIED, WITHOUT THE WRITTEN CONSENT OF MP PUMPS. RETURN TO MP PUMPS PROMPTLY WHEN REQUESTED.

G				UNLESS OTHERWISE NOTED, THIRD ANGLE PROJECTION		MP PUMPS, INC.					
F						MATERIAL					
E						DRAWN BY: DATE COMP: APPROV: SCALE: UNDER PRT: UNDER DWN:					
D						DO NOT SCALE C.W. 7-19-16 JAW FULL					
C						DRAWING NO. 39621					
B						NAME: CF3 PUMPAK SERVICE PARTS					
A											
REV				DESCRIPTION		DRAWN		DATE		EN	