



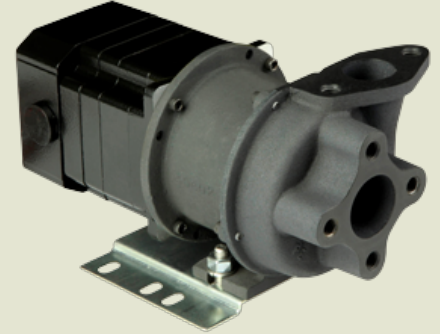
MDX

1" x 1" Centrifugal Transportation Circulator

The MDX is a magnetically-driven sealless circulator that produces flows to 25 GPM and pressures to 20' TDH, 12 or 24V DC with an optional brushless DC motor.

SPECIFICATIONS:

Materials Of Construction	Aluminum
Flow	Up to 25 GPM
Head Feet	Up to 20'
Impeller	2.5" semi-open stainless steel
Drive Options	Close coupled 12V DC, Close coupled 24V DC
Seal	Magnetically driven no mechanical seal required
Options	Adapters available to convert flanged connections to 1" female NPT, Optional mounting base is adjustable or removable
Temperature	Designed for operation in ambient temperture up to 200°F, Designed for use with fluids up to 220°F and sustained fluid temps up to 210°F
Base	(2) bolt integrated mounting foot cast into pump housing

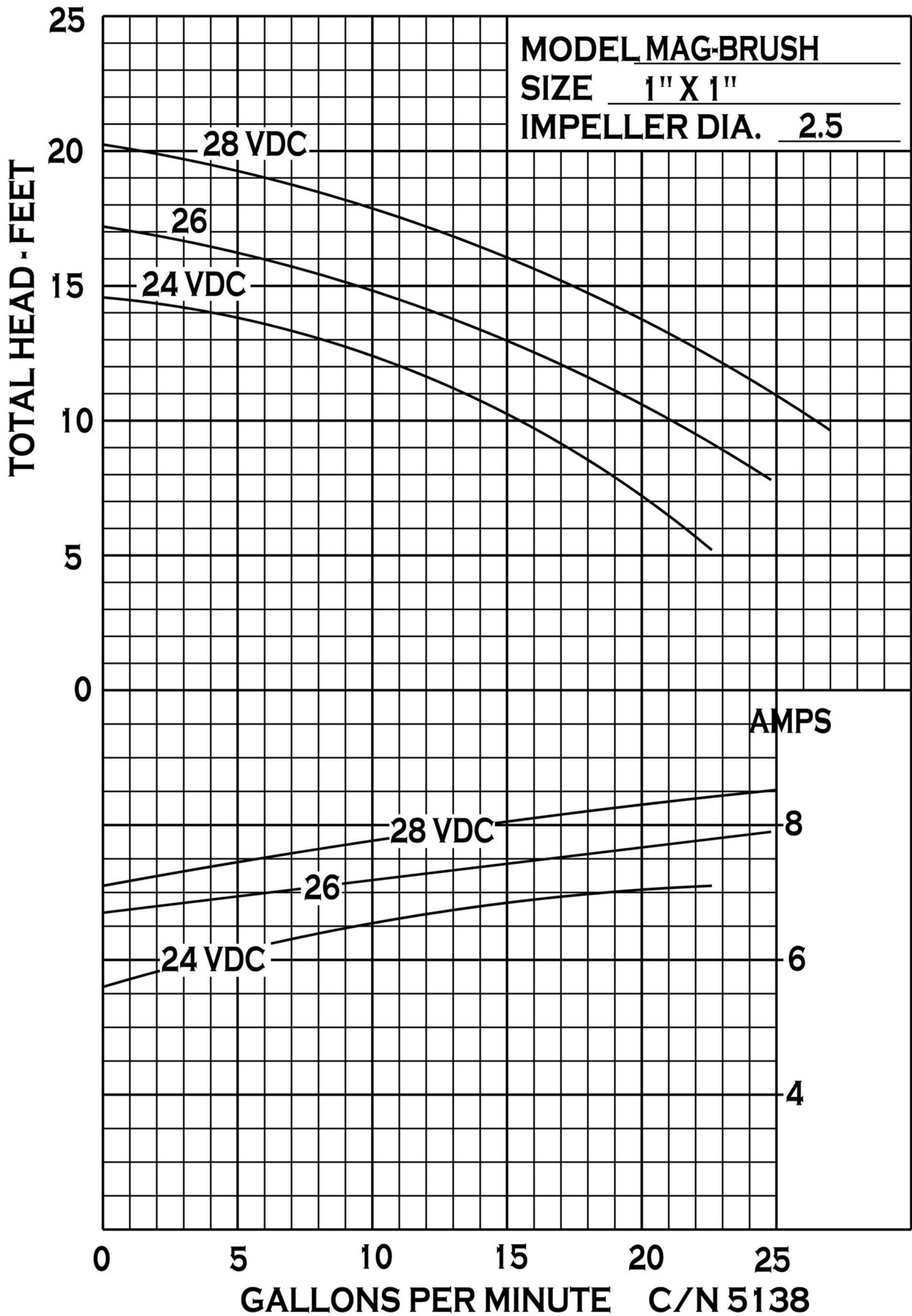


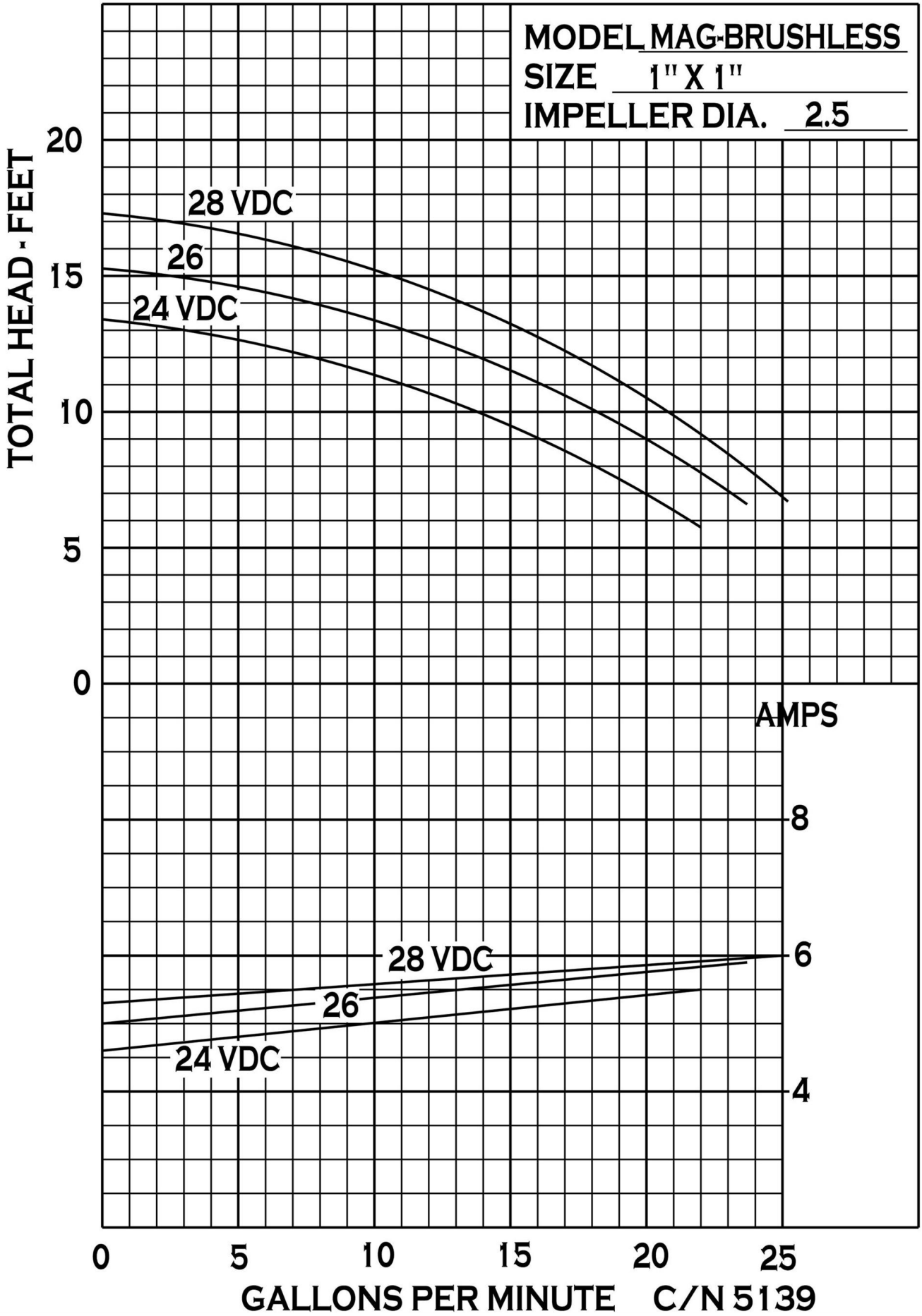
Application

- Agricultural
- Commercial
- Industrial
- Marine
- OEM
- Transportation

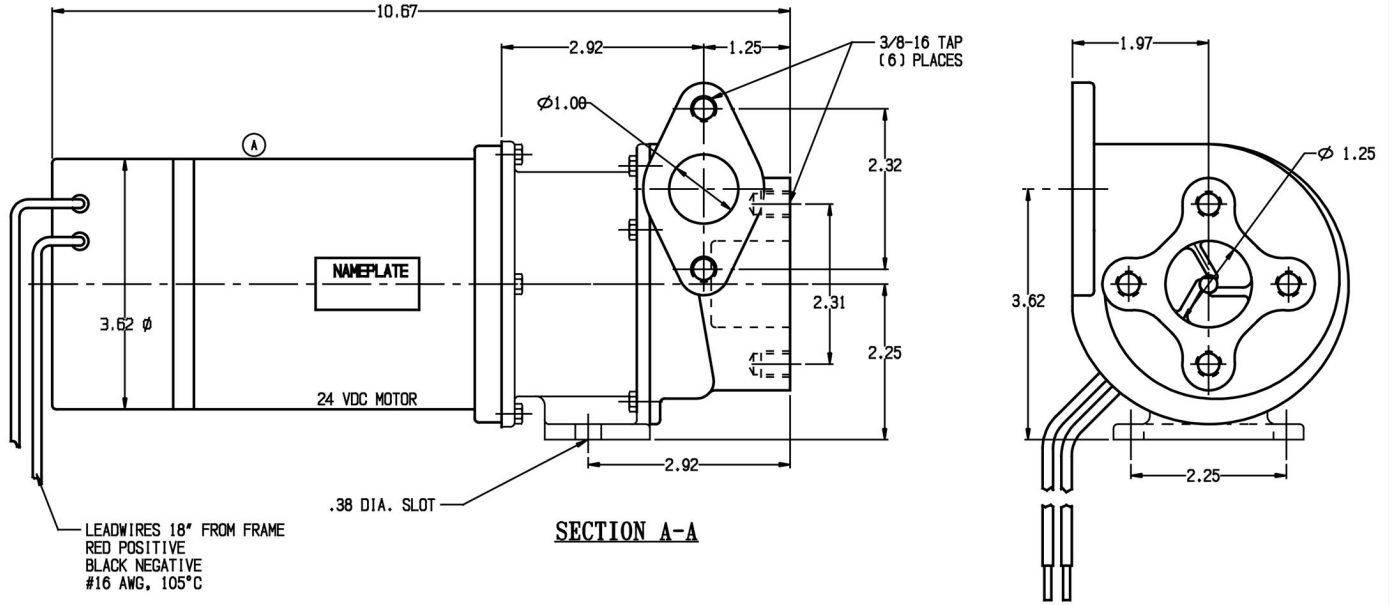
Features

- Dual 18" long 14 AWG red (positive) black (negative) power leads
- Housing has 1" (4) bolt flanged suction & (2) bolt flanged discharge connections
- Motor enclosure is splash and weather resistant
- Motor has brushed or brushless configurations with sealed control electronics
- Thermally protected against overload and overtemp with automatic reset





30939



Magnetically Coupled Brushless DC Circulator Pump
 Dimensions 10.7x5.0x4.0 inches
 Weight 9 lbs.
 Materials
 356T-6 Aluminum housing and adapter
 Carbon/stainless steel bearing system
 Ceramic coupling magnets, 90 oz-in strength
 Stainless steel impeller
 Buna O-rings
 Motor Characteristics
 Electrically commutated using Hall effect sensors.
 Capable of 32V dc maximum continuous power.
 Thermally protected for overload or over temperature with automatic reset.
 Enclosure is splash resistant. Control electronics are sealed.

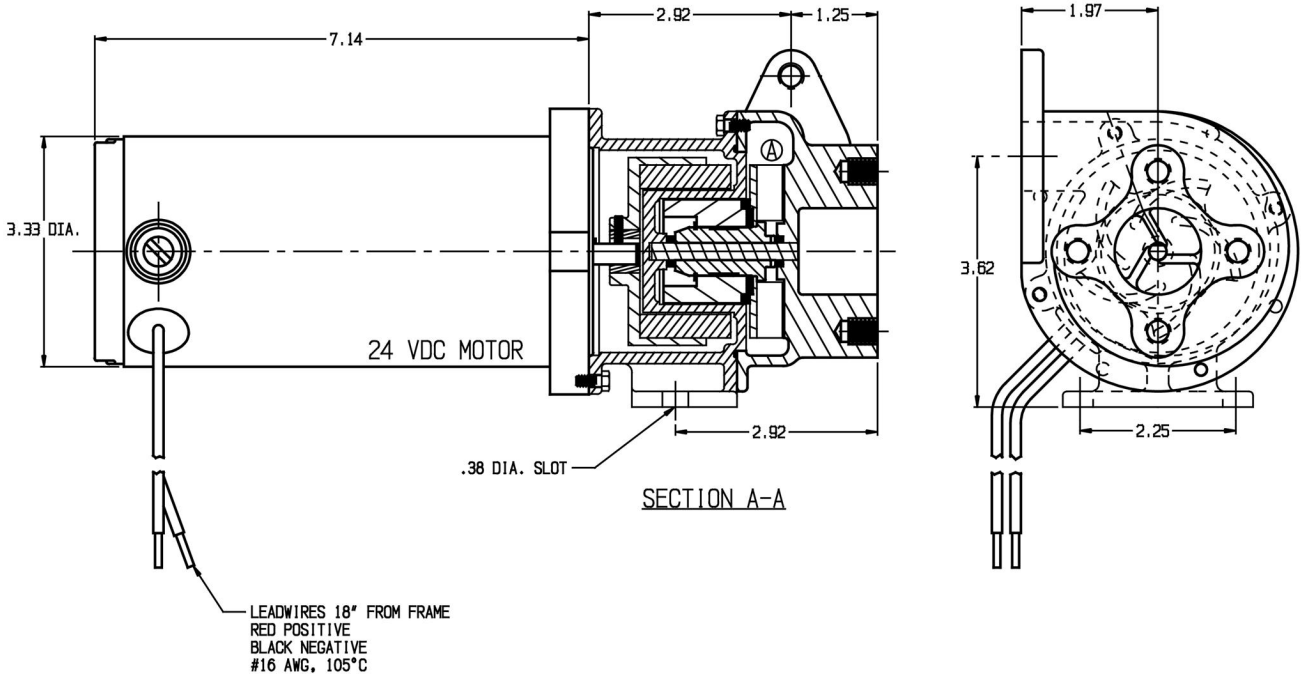
G										
F										
E										
D										
C										
B										
A										

UNLESS OTHERWISE NOTED		THIRD ANGLE PROJECTION		MP PUMPS, INC.	
2 PLACE DIM ± .005		3 PLACE DIM ± .010		TECUMSEH PRODUCTS CO.	
ANGULAR DIM ± 1°		DO NOT SCALE		FRASER, MICHIGAN 48026, U.S.A.	
DATE	DATE	DATE	DATE	DATE	DATE
22-2-97					
CIR. - PUMP - MAG.		DRAWING NO. 30939			



34800 BENNETT - FRASER, MI 48026-1686
 (586) 293-8240 - FAX (586) 293-8469
 (800) 563-8006 - www.mppumps.com

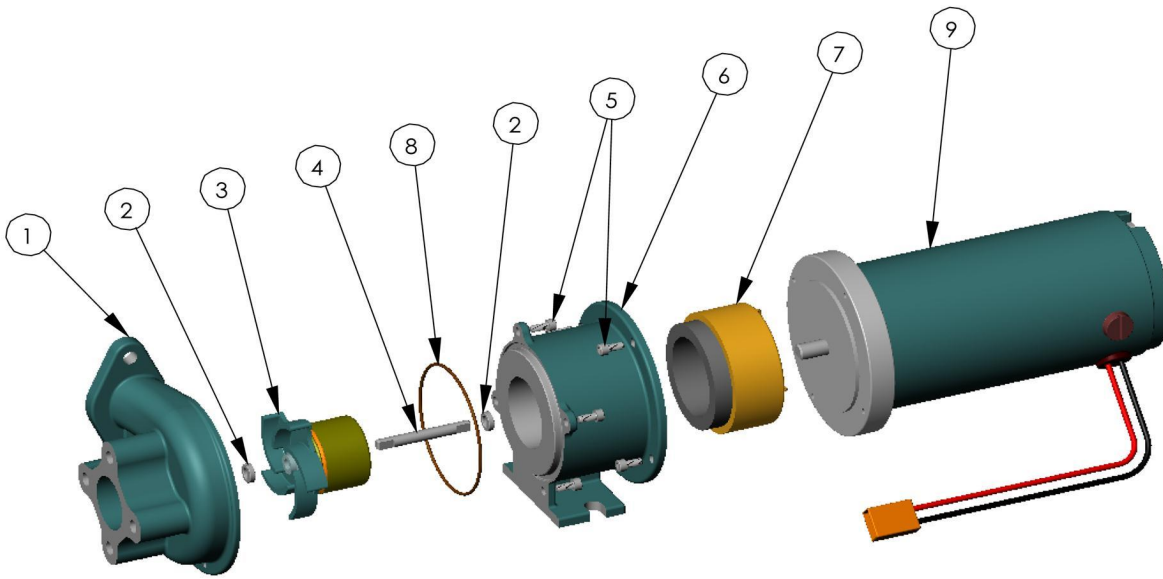
DRAWING NO.
30011



G						UNLESS OTHERWISE NOTED	MP PUMPS, INC.						
F						THIRD ANGLE PROJECTION	TECHNISEH PRODUCTS CO.						
E						2 PLACE DIM = .000	FRASER, MICHIGAN 48026, U.S.A.						
D						3 PLACE DIM = .010	MATERIAL						
C						ANGULAR DIM = 1/2°	DO NOT SCALE	DR.	DATE	BY	SCALE	MAKE FOR	MAKE FROM
B								K.G.	4-23-97		FULL		DRAWING NO.
A	NET MOTOR CHANGED.	EDWARD	DR.	5/15/90	DR.		CIR. - PUMP - MAG.			30011			



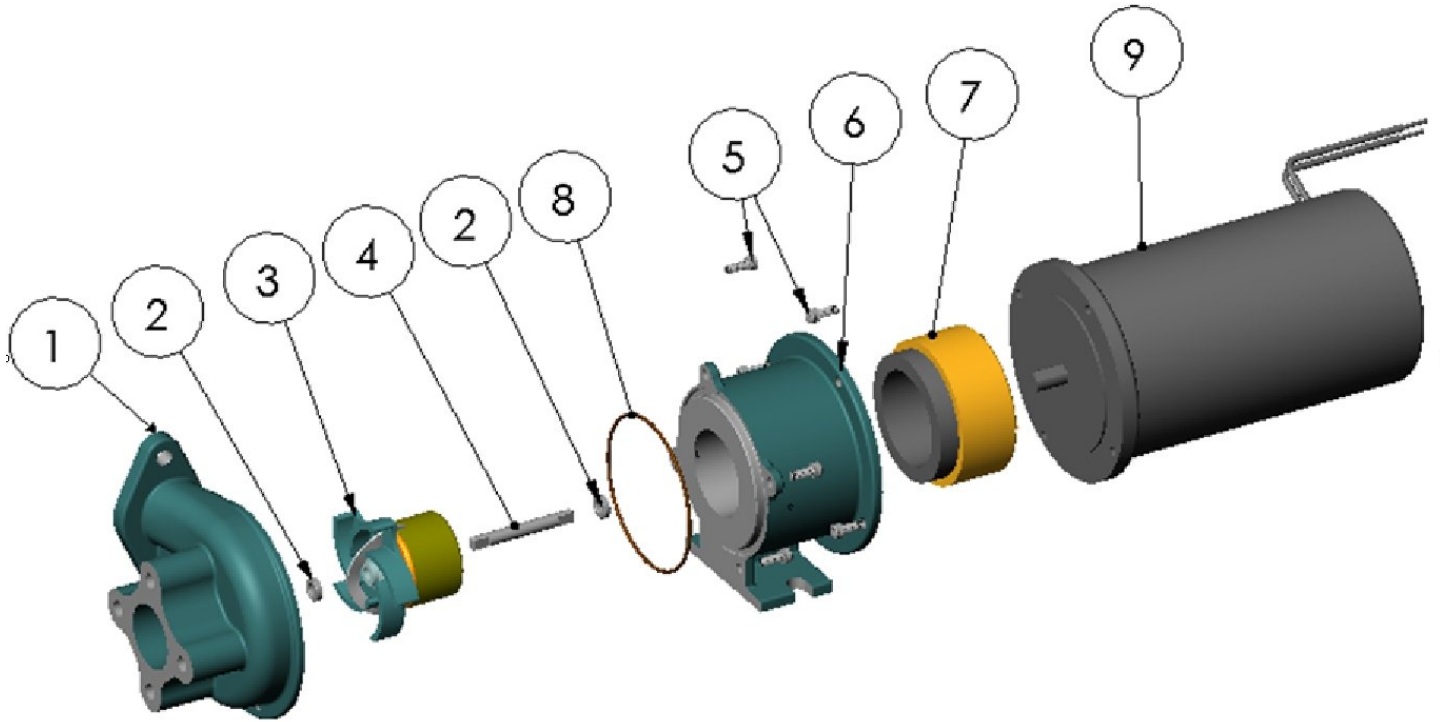
34800 BENNETT - FRASER, MI 48026-1686
(586) 293-8240 - FAX (586) 293-8469
(800) 563-8006 - www.mppumps.com



PART NO.	ITEM NO.	DESCRIPTION	QTY.		PART NO.	ITEM NO.	DESCRIPTION	QTY.
30605	1	HOUSING	1		30603	6	HOUSING	1
33445	2	WASHER S.S.	2		30769	7	DRIVE MAGNET	1
34826	3	ROTOR ASSEMBLY	1	*	30622	8	O - RING BUNA	1
33446	4	SHAFT S.S.	1		30270	9	ELECTRIC MOTOR 24 VDC	1
30297	5	CAPSCREW STL. 8-32 X 3/8 LG.	8					

*

*- RECOMMENDED REPLACEMENT PARTS



PART NO.	ITEM NO.	DESCRIPTION	QTY.		PART NO.	ITEM NO.	DESCRIPTION	QTY.
30605	1	HOUSING	1		30603	6	ADAPTER	1
33445	2	WASHER S.S.	2		30769	7	DRIVE MAGNET	1
34826	3	ROTOR ASSEMBLY	1	*	30622	8	O - RING VITON	1
33446	4	SHAFT S.S.	1		30938	9	ELECTRIC MOTOR 24 VDC	1
30297	5	CAPSCREW STL. 8-32 X 3/8 LG.	8					