



FLOMAX[®] 30

Self-Priming Centrifugal Pump

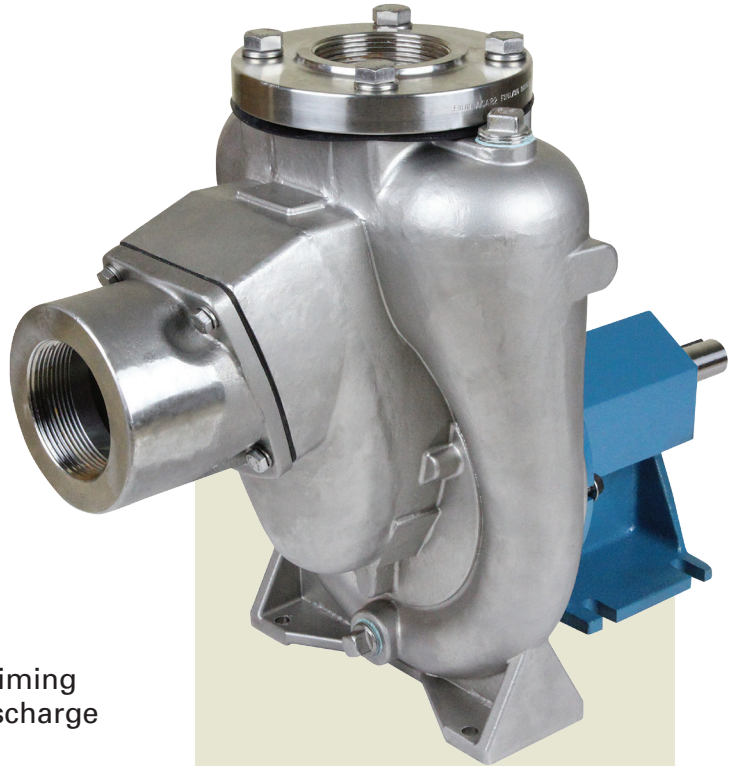
The 316 Stainless Steel FLOMAX[®] 30 provides excellent chemical compatibility and corrosion resistance for “hard-to-handle” aggressive fluids making it ideal for numerous agricultural, industrial and marine applications.

The pump is equipped with a standard viton flapper, priming chamber fill-plug, and a 3” NPT Suction Flange. The discharge port is 3” ANSI 150 # Class Flat Flange.

The standard mechanical seal is carbon/ceramic/viton/stainless steel. Consult factory for optional seals.

Two basic pumpak styles allow the FLOMAX[®] 30 self-priming centrifugal pump to fit standard Nema “C” electric motor frames, engines or the standard MP pedestal. The PUMPAK is completely assembled and can be mounted to a standard motor in minutes.

Applications include: AG Fertilizer transfer, Chemical transfer, Diesel Exhaust Fluid (DEF) transfer and R.O. water transfer.



Mounting Options:

- PumPak[®]
- Pedestal
- Engine
- Electric Motor
 - 184TC
 - 215C

Flows to 500 GPM:

Pressures To 190 TDH:

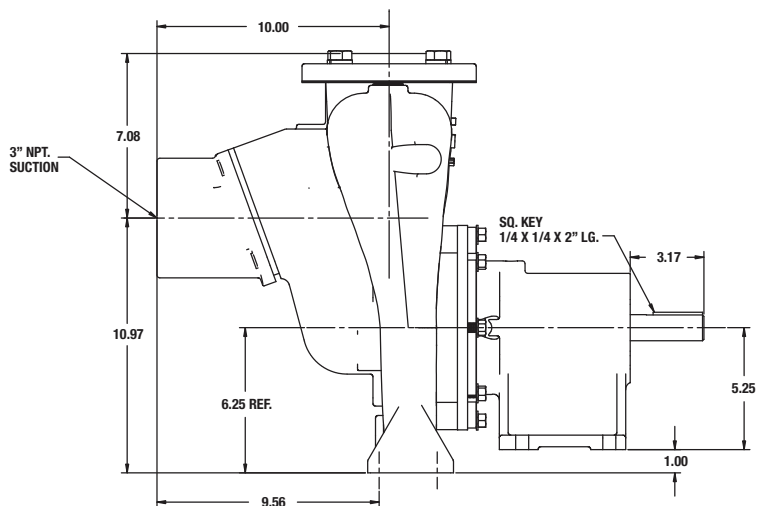
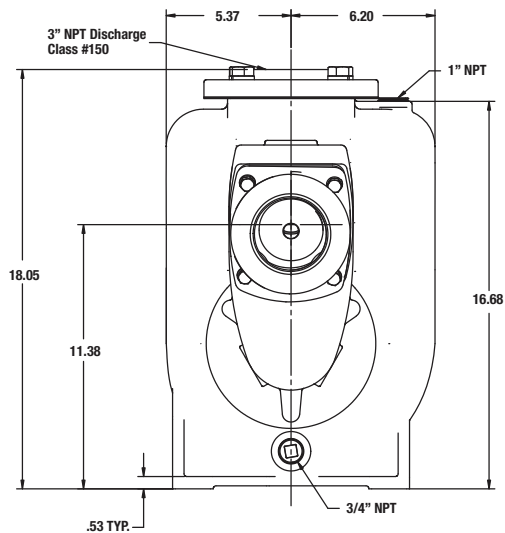
Applications:

- AG Fertilizer Transfer
- Chemical Transfer
- Diesel Exhaust Fluid (DEF) Transfer
- R.O. Water Transfer

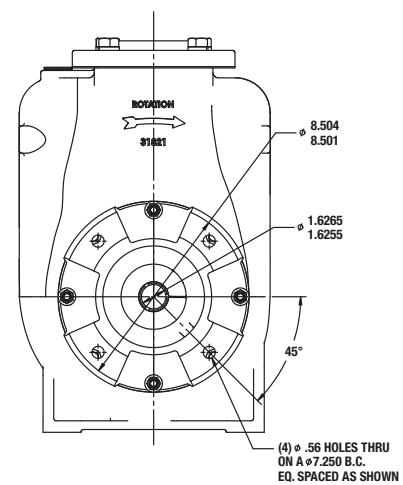
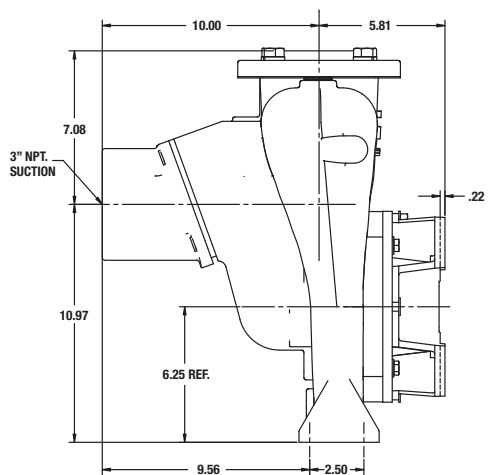
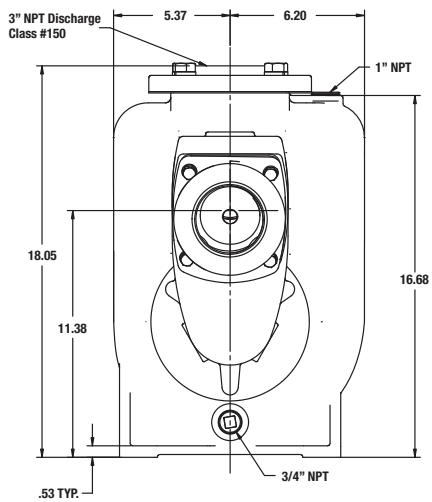
SPECIFICATIONS:

Construction	316 SS
Suction	3” NPT
Discharge.....	3” NPT 150 # Class Flat Flange
Flapper	Viton
Mechanical Seal, Type 2100...	Carbon/Ceramic/Viton
Impeller.....	316 SS, Semi-Open, Balanced

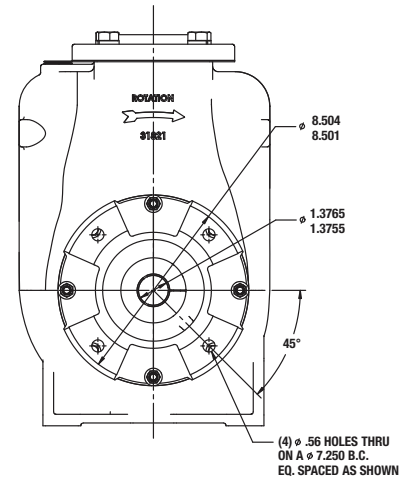
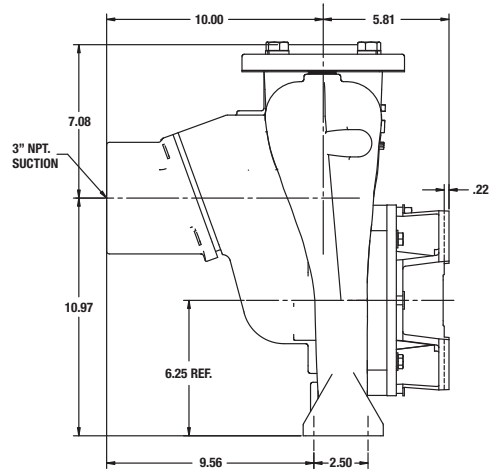
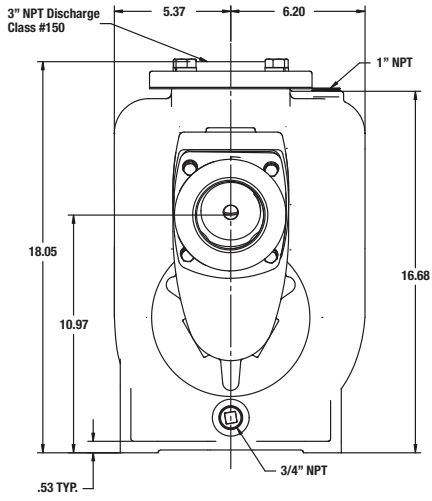
FLOMAX® 30 Pedestal Dimensions



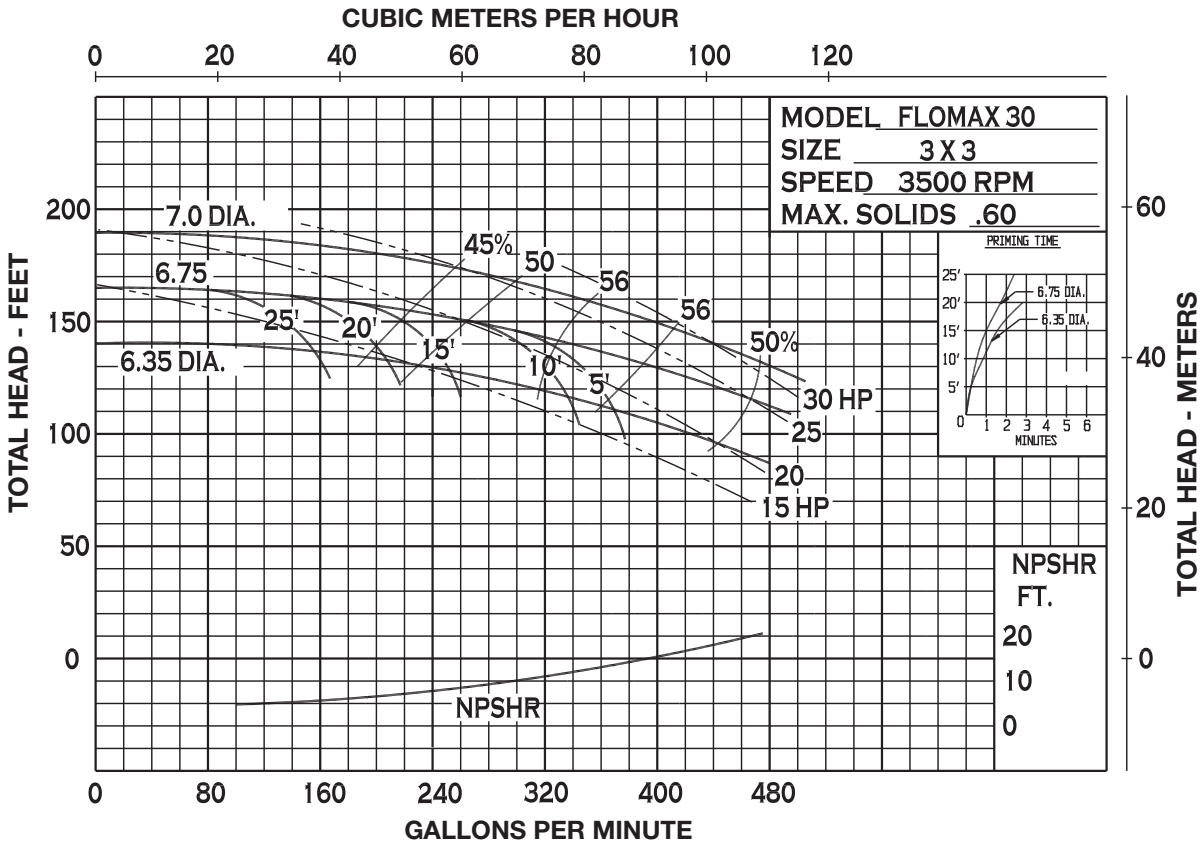
FLOMAX® 30 184TC Dimensions



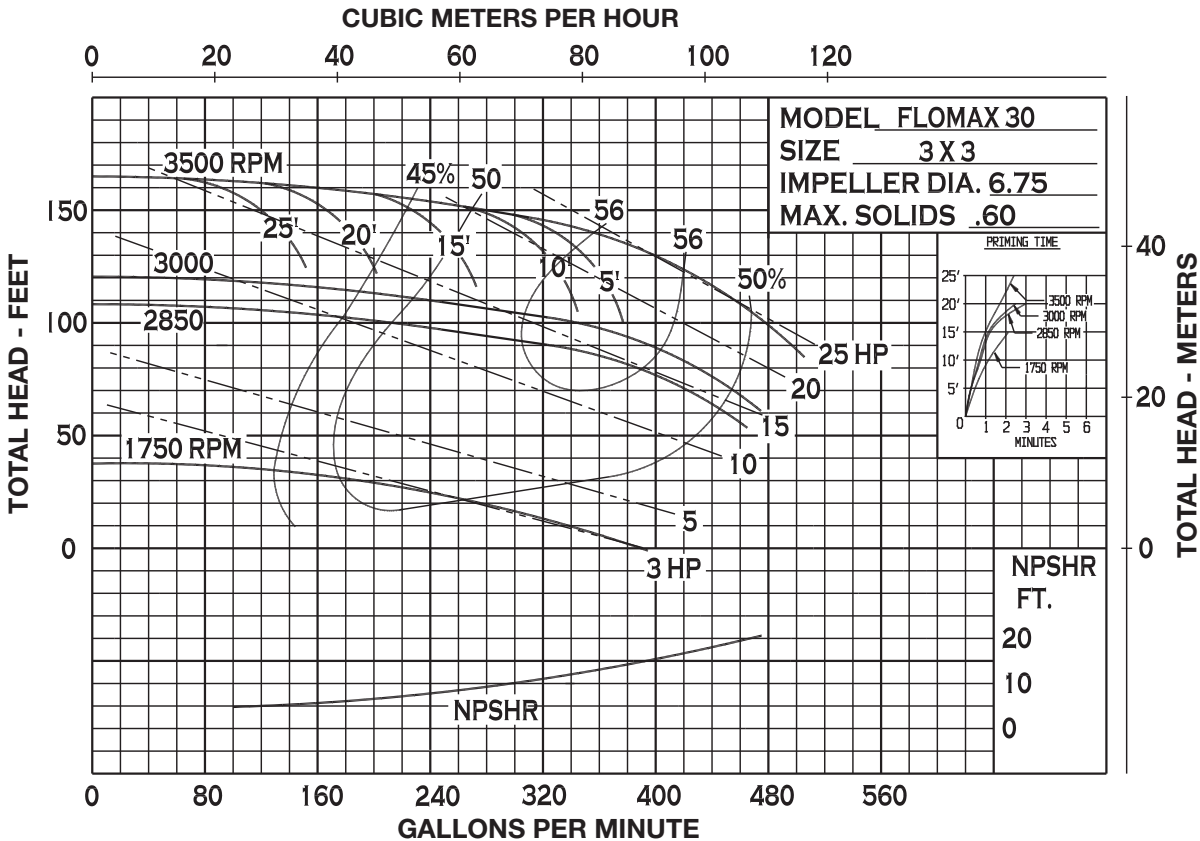
FLOMAX® 30 215TC Dimensions



FLOMAX® 30 Performance Curves



FLOMAX® 30 Performance Curves



MP Pumps, Inc.®
 34800 Bennett • Fraser, MI 48026-1686
 (586) 293-8240 • Fax (586) 293-8469
 (800) 563-8006 • www.mppumps.com