



CHEMFLO 4 PEDESTAL

2" x 1-1/2" End Suction Centrifugal Pump

Made with high quality investment cast 316 stainless steel components, the ChemFlo® series of pumps are designed to be applied in a wide range of pumping applications where stainless steel is required.

ChemFlo® 4 pumps utilize a semi-open impeller design to allow for passage of larger solid sizes and a totally enclosed impeller to meet high efficiency standards. Several seal options are available in addition to the standard type 2100 carbon / ceramic / Viton mechanical seal.

All wetted components are 316 investment cast stainless steel providing superior corrosion resistance when pumping chemical compounds. The Chemflo® 4 pedestal uses a pump end (Pumpak) design that is interchangeable with 56C or 145TC electric motors. If ordering a pumpak with a 145TC please note that the electric motor must have a base.



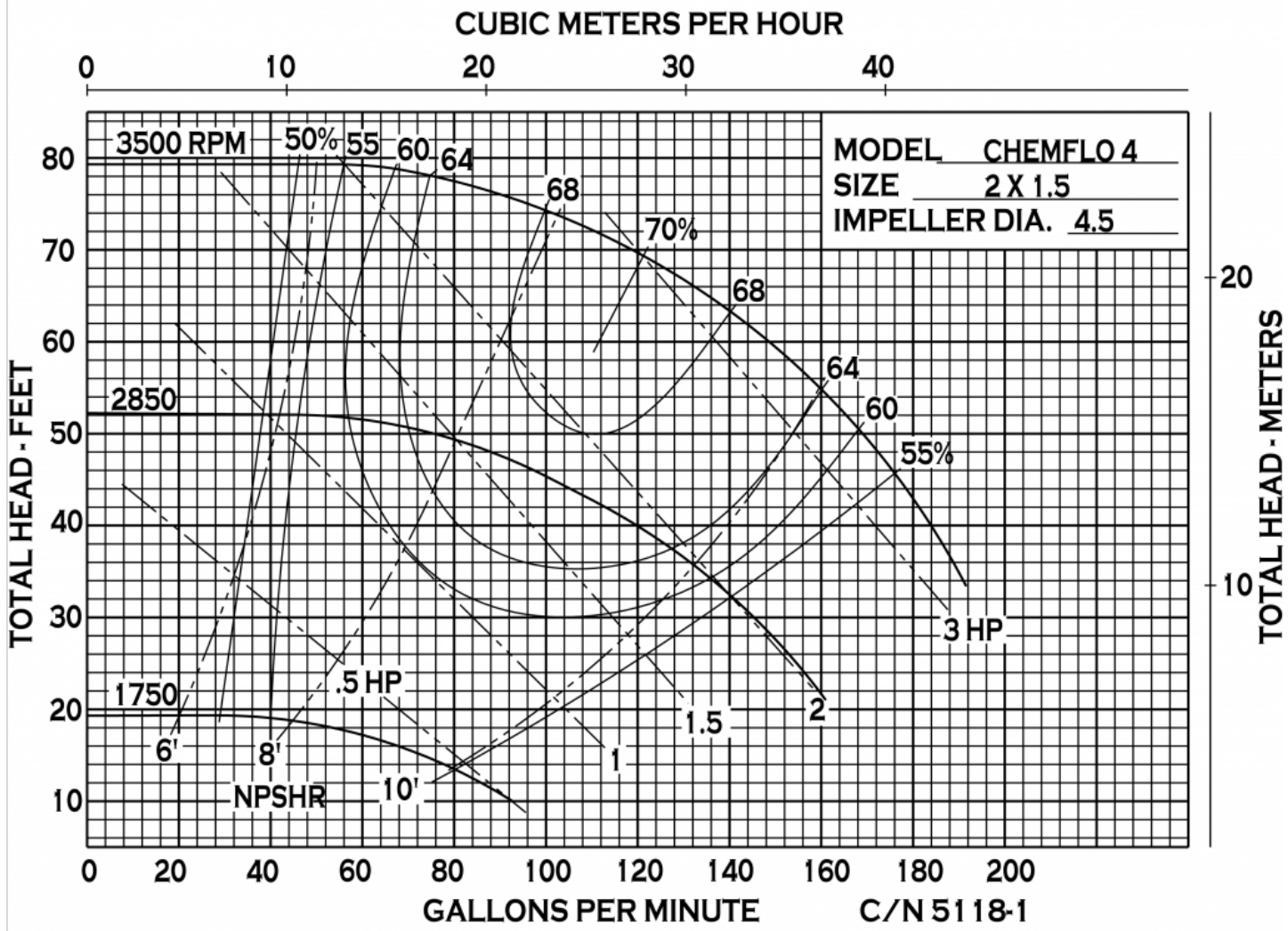
Application

- Commercial
- Industrial
- Marine

SPECIFICATIONS:

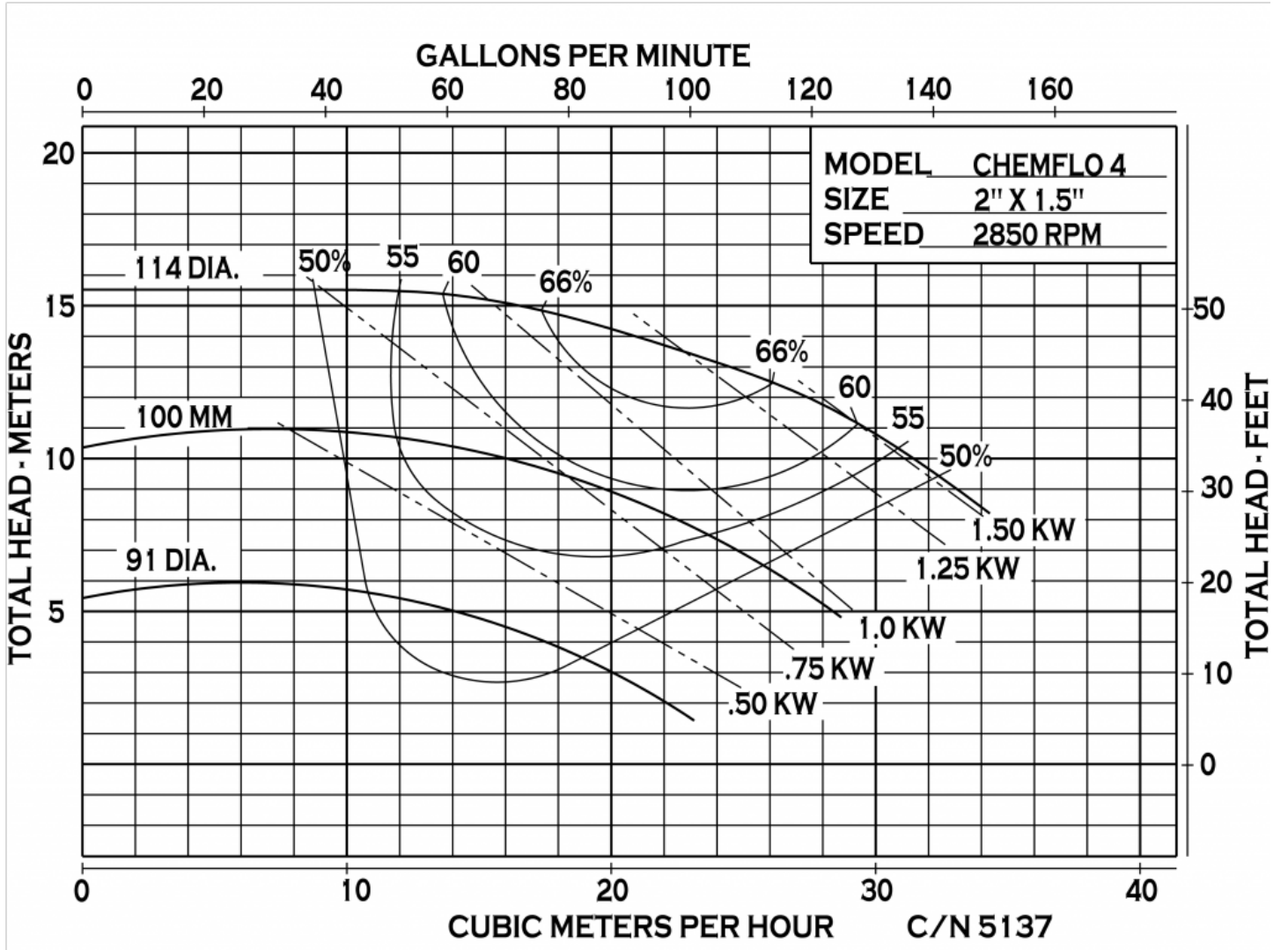
| | |
|---------------------------|--|
| Suction And Discharge | 2" x 1-1/2" NPT |
| Materials Of Construction | 316 Stainless Steel Investment Cast |
| Flow | Up to 180 GPM |
| Head Feet | Up to 80' |
| Drive Options | Close coupled 56C or 145TC, Hydraulic Drive, Pedestal, PumPAK® (without motor) |
| Seal | Carbon/Ceramic/Viton Type 2100, Special Seals Available upon Request |

CHEMFLO 4 PEDESTAL



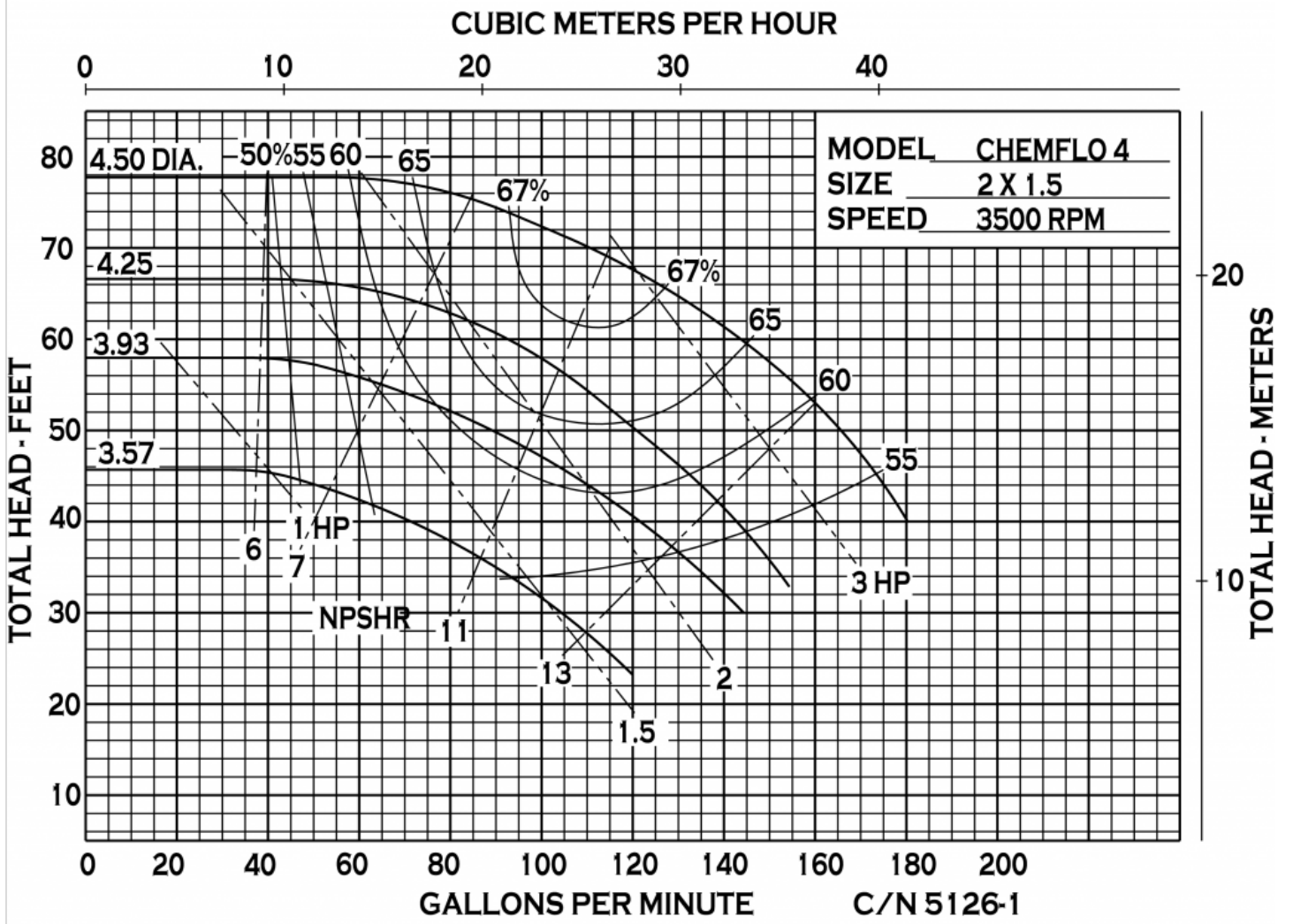
34800 BENNETT - FRASER, MI 48026-1686
 (586) 293-8240 - FAX (586) 293-8469
 (800) 563-8006 - www.mppumps.com

CHEMFLO 4 PEDESTAL



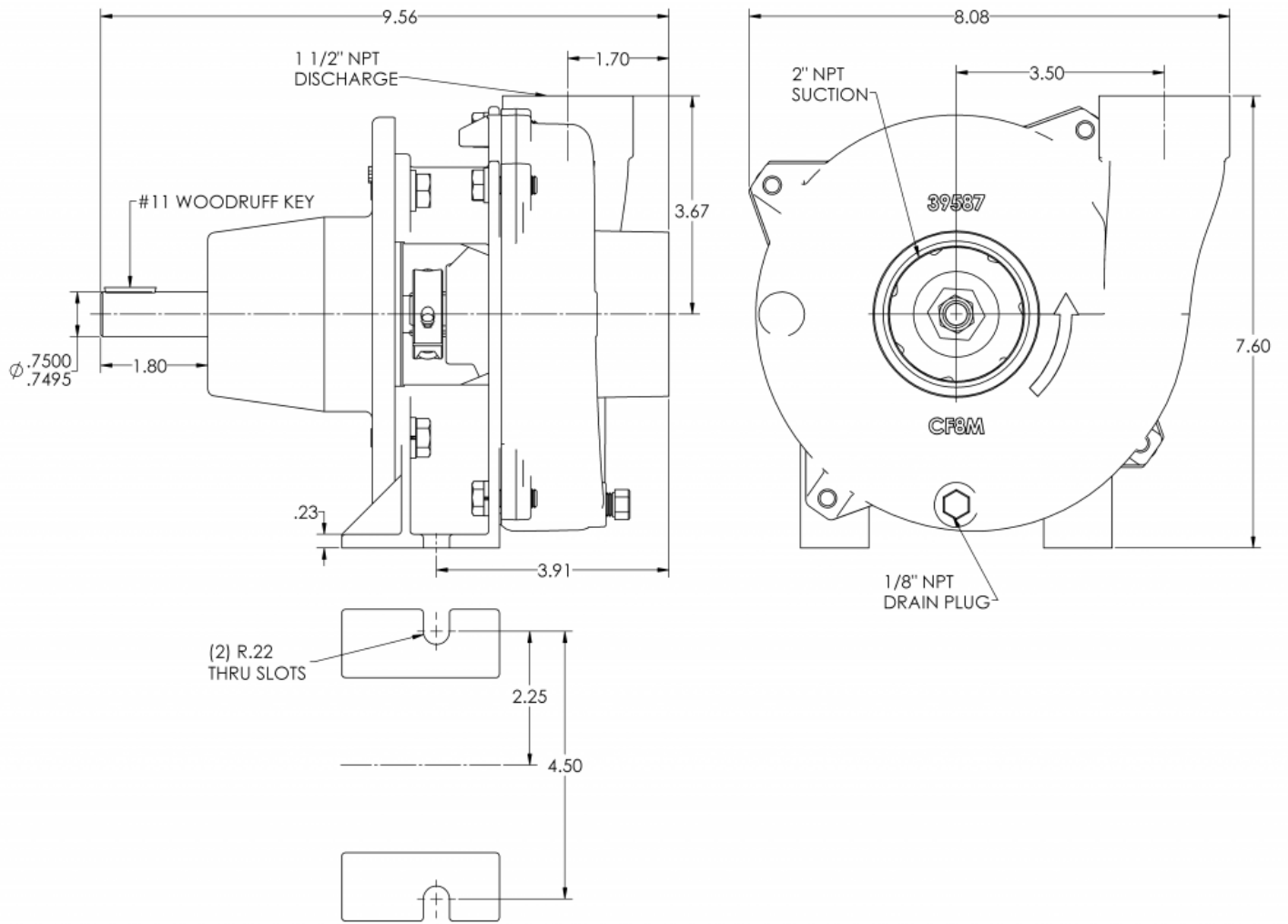
34800 BENNETT - FRASER, MI 48026-1686
 (586) 293-8240 - FAX (586) 293-8469
 (800) 563-8006 - www.mppumps.com

CHEMFLO 4 PEDESTAL



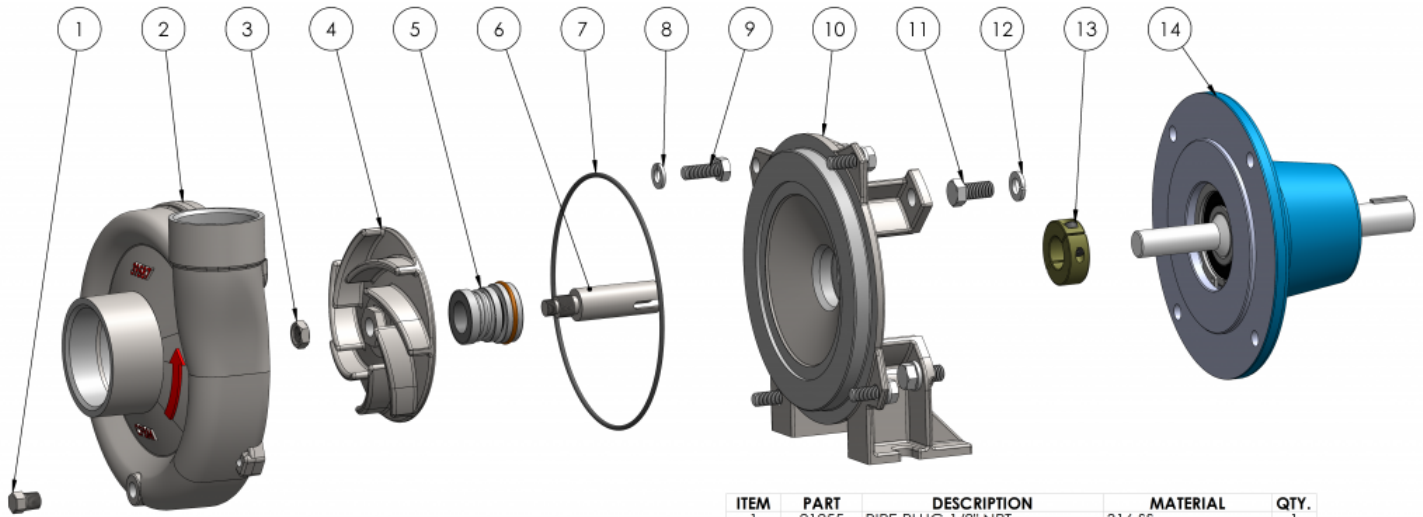
34800 BENNETT - FRASER, MI 48026-1686
 (586) 293-8240 - FAX (586) 293-8469
 (800) 563-8006 - www.mppumps.com

CHEMFLO 4 PEDESTAL



CF4 PED

CHEMFLO 4 PEDESTAL



| ITEM | PART | DESCRIPTION | MATERIAL | QTY. |
|------|-------|----------------------------|--------------------|------|
| 1 | 21255 | PIPE PLUG 1/8" NPT | 316 SS | 1 |
| 2 | 39588 | HOUSING CF3 | CF8M SS | 1 |
| 3 | 35598 | HEX JAM NUT SS: 3/8-24 | 316 SS | 1 |
| 4 | 29914 | IMPELLER Ø4.50 | CF8M SS | 1 |
| 4 | 31844 | IMPELLER Ø4.25 | CF8M SS | 1 |
| 4 | 30240 | IMPELLER Ø3.93 | CF8M SS | 1 |
| 4 | 30241 | IMPELLER Ø3.57 | CF8M SS | 1 |
| 5 | 29168 | SEAL ASSEMBLY 3/4" | CAR/SIC | 1 |
| 5 | 34380 | SEAL ASSEMBLY 3/4" | SILICONE | 1 |
| 5 | 30061 | SEAL ASSEMBLY 3/4" | CCS/VITON | 1 |
| 5 | 30358 | SEAL ASSEMBLY 3/4" | EPT | 1 |
| 5 | 30054 | SEAL ASSEMBLY 3/4" | TEFLON/CCS | 1 |
| 6 | 29785 | DRIVE SLEEVE | 316 SS | 1 |
| 7 | 30066 | O-RING AS-568-163 | TEFLON ENCAPS SIL. | 1 |
| 7 | 31230 | O-RING AS-568-162 | EPDM | 1 |
| 7 | 29715 | O-RING AS-568-162 | VITON | 1 |
| 7 | 35290 | O-RING AS-568-162 | NEOPRENE | 1 |
| 7 | 39375 | O-RING AS-568-162 | BUNA | 1 |
| 7 | 50524 | O-RING AS-568-162 | AFLAS | 1 |
| 8 | 21238 | LOCKWASHER 5/16 X 1/8 | 304 SS | 4 |
| 9 | 21242 | CAP SCREW HH 5/16-18 X 7/8 | 304 SS | 4 |
| 10 | 29908 | ADAPTER | CF8M SS | 1 |
| 11 | 25663 | CAPSCREW 3/8-16 X 3/4 | 304 SS | 4 |
| 12 | 21266 | LOCKWASHER 3/8 X 1/8 | 304 SS | 4 |
| 13 | 28049 | CLAMP | ZINC PLATED STEEL | 1 |
| 14 | 29670 | PEDESTAL ASSEMBLY | CAST IRON | 1 |

CF4 PED