

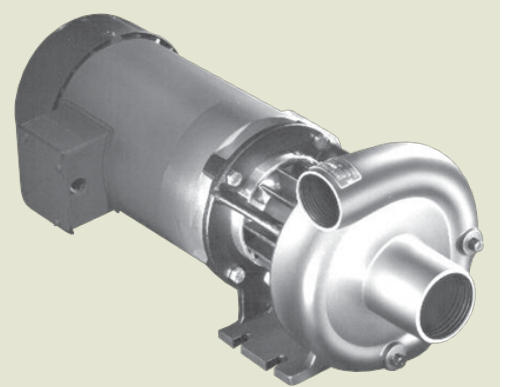


HTO™ 80

1-1/2" x 1-1/4" End Suction Centrifugal Hot Oil Pump

HTO80 is a patented, unique centrifugal pump designed for high temperature applications, such as the plastics, chemical, food and processing industries. The pump can be used in horizontal or vertical positions and is available with or without an electric motor. It is designed to greatly reduce the temperature at the seal by utilizing ambient air temperature which greatly increases seal life.

Want to learn more about using pumps with heat transfer fluids? Click here to view "Using Pumps with Heat Transfer Fluids" an article featured in Process Heating Magazine written by MP Pumps' Chief Engineer.



SPECIFICATIONS:

Suction And Discharge	1-1/2" x 1-1/4" NPT or flat flange option
Materials Of Construction	Ductile iron
Flow	Up to 85 GPM
Head Feet	Up to 130'
Impeller	5.9" steel, enclosed
Motor	Up to 3 HP
Drive Options	Close coupled 56C, Close coupled 145TC, Pedestal, PumPAK® (without motor)
Seal	Carbon / silicon carbide / Viton
Temperature	650°F max

Application

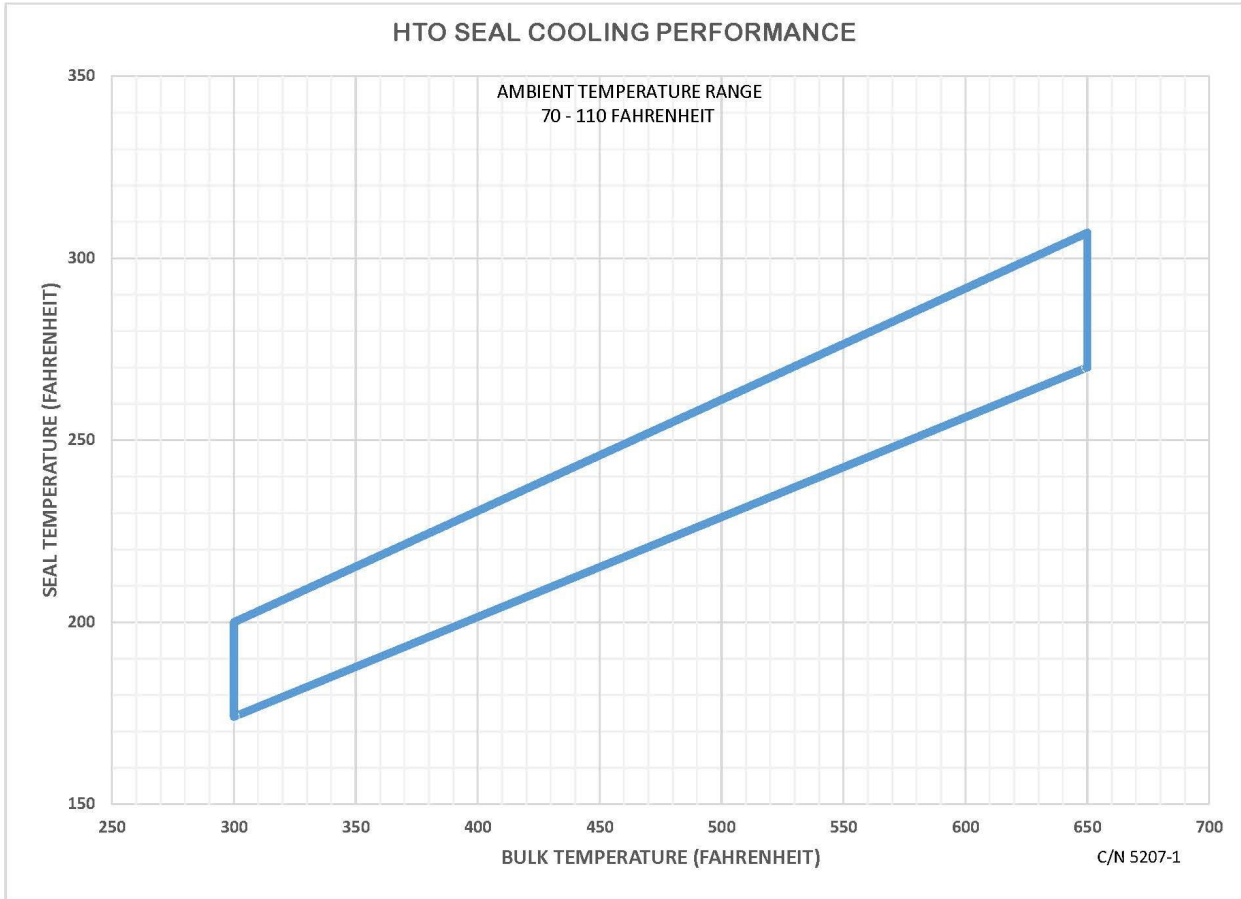
- Industrial
- OEM

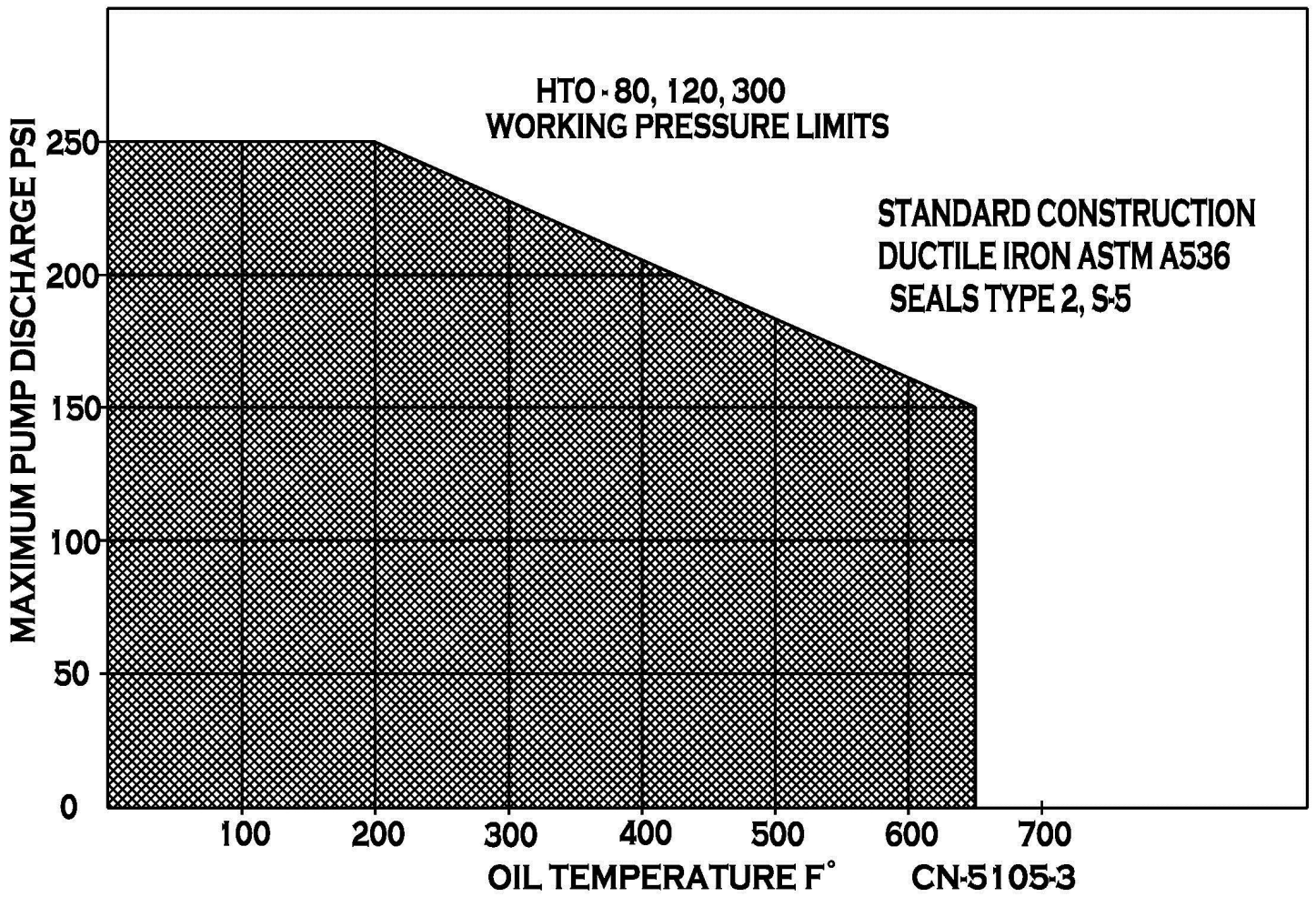
Drive Sleeve

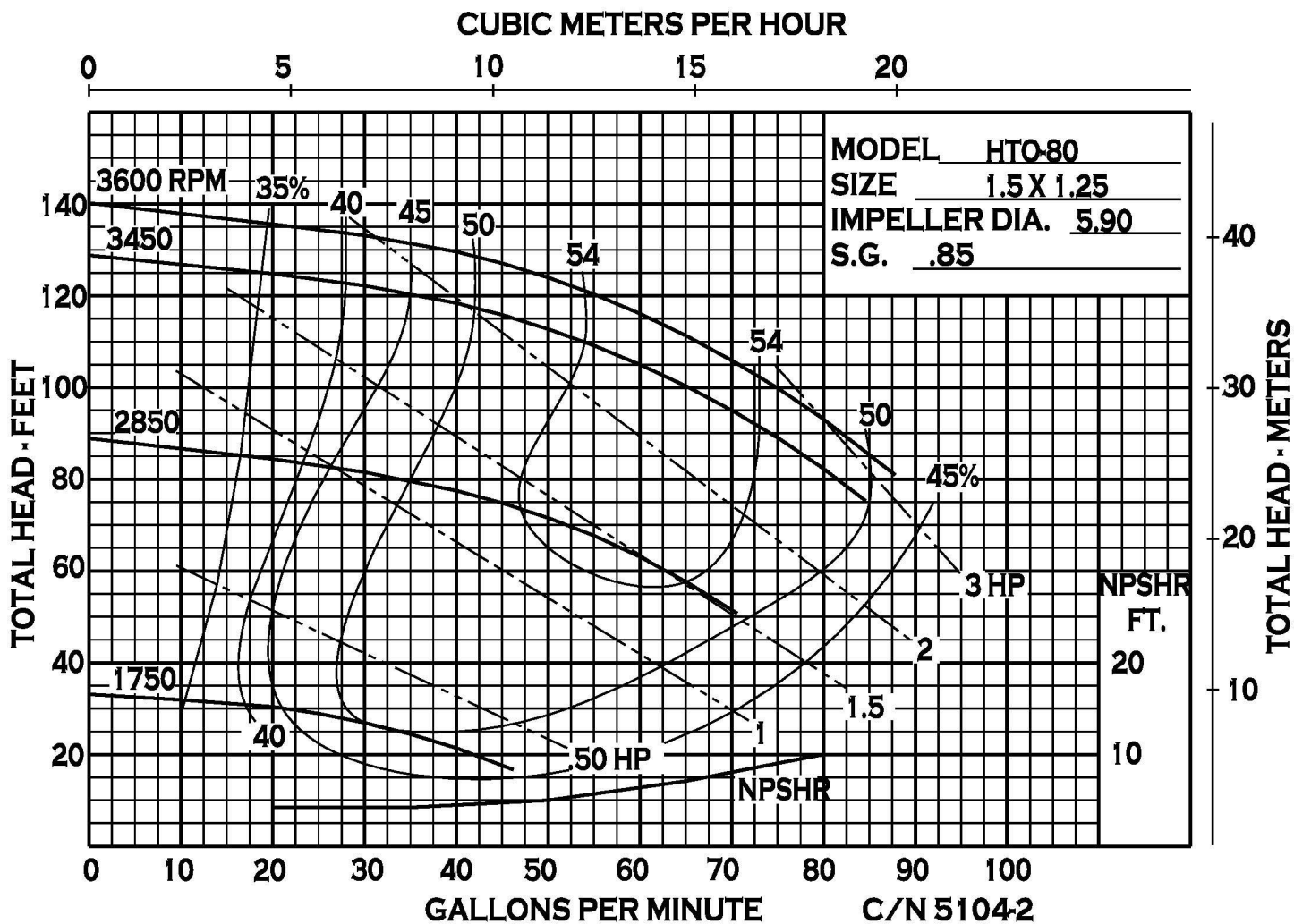
- Hardened 303 stainless steel

Features

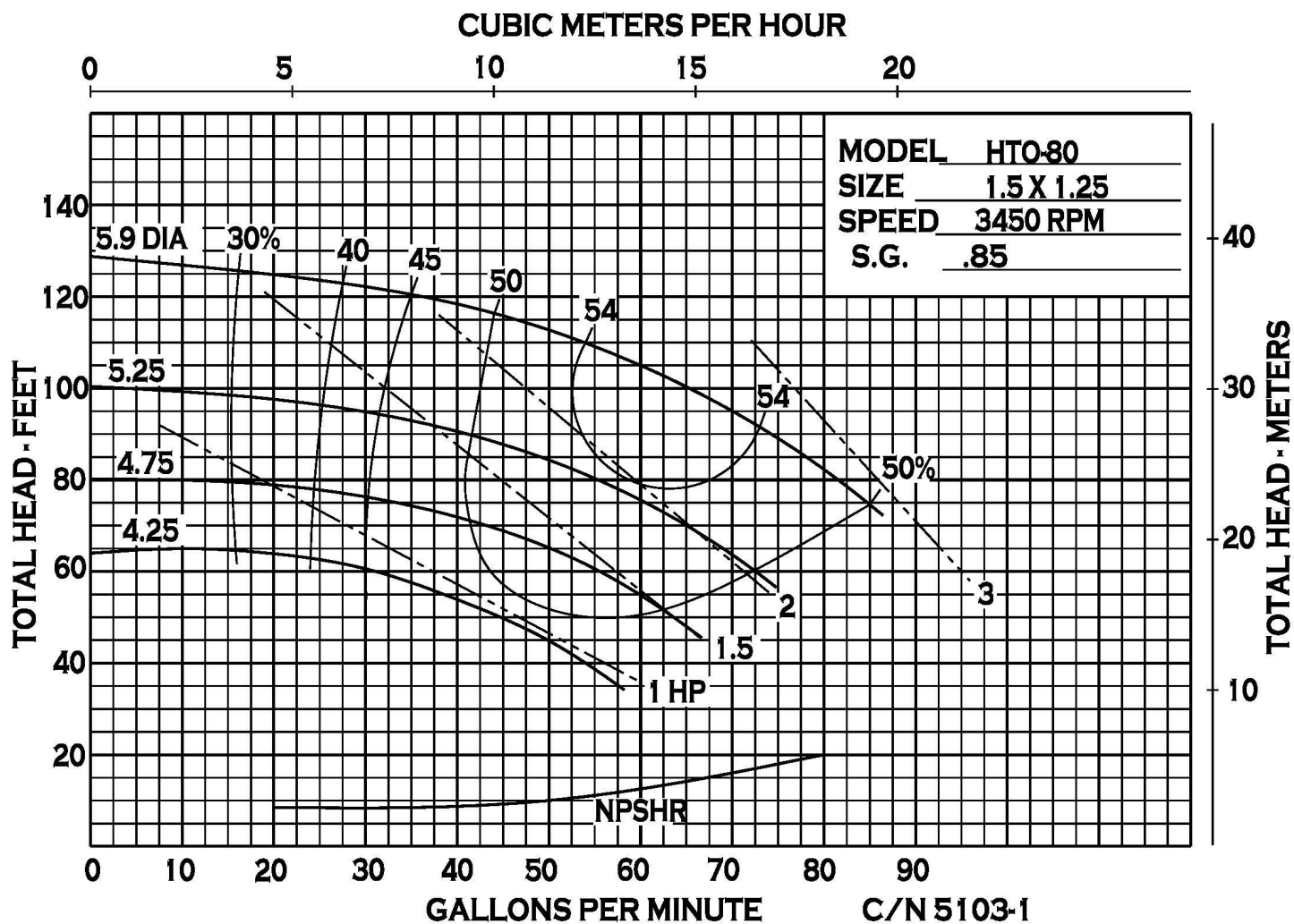
- Isolated air cooled seal chamber



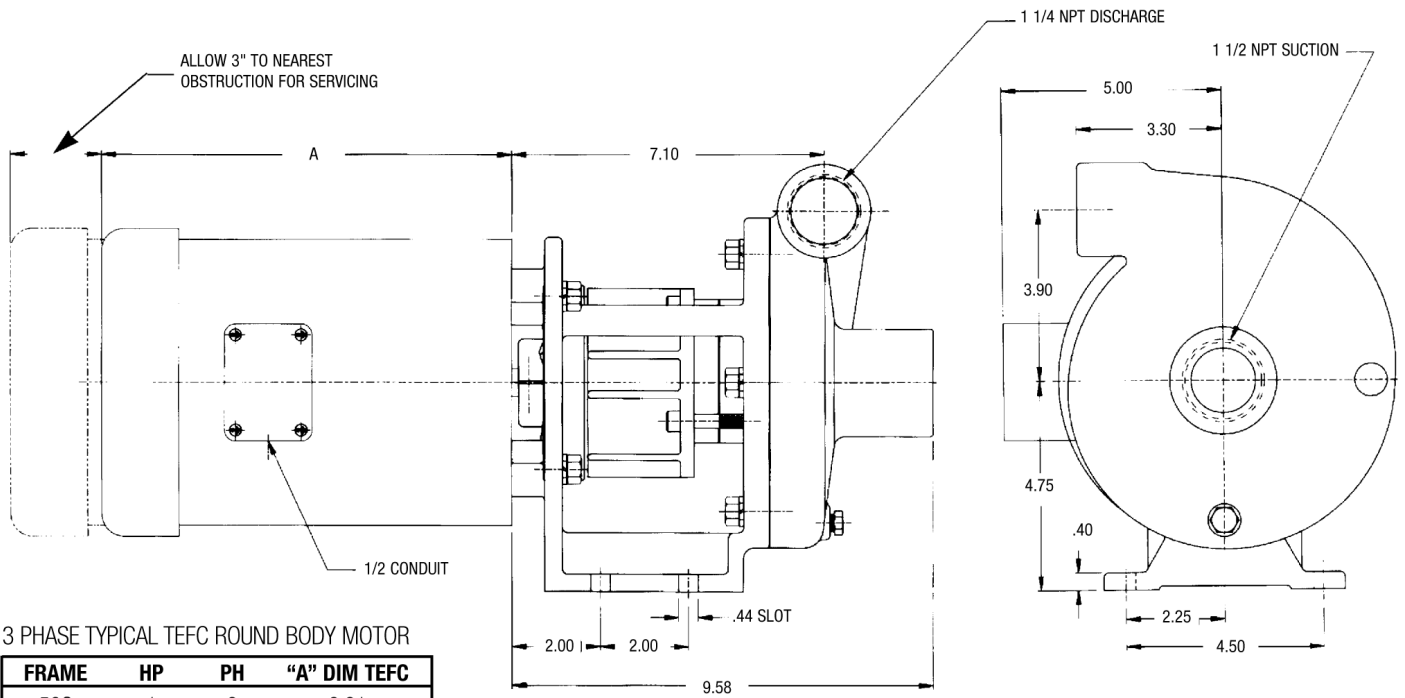




34800 BENNETT - FRASER, MI 48026-1686
 (586) 293-8240 - FAX (586) 293-8469
 (800) 563-8006 - www.mppumps.com



34800 BENNETT - FRASER, MI 48026-1686
 (586) 293-8240 - FAX (586) 293-8469
 (800) 563-8006 - www.mppumps.com

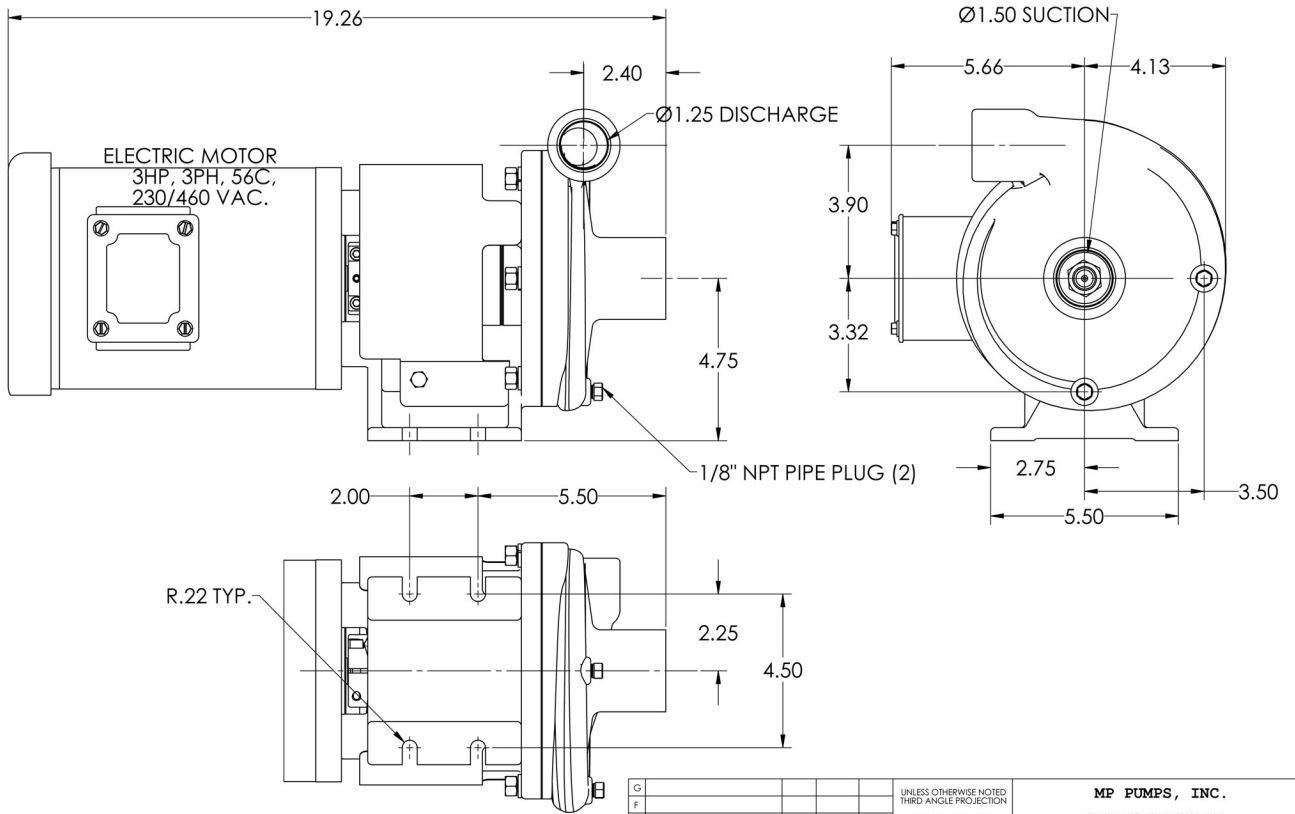


3 PHASE TYPICAL TEFC ROUND BODY MOTOR

FRAME	HP	PH	"A" DIM TEFC
56C	1	3	9.31
56C	1.5	3	9.94
56C	2	3	11.25
56C	3	3	12.12

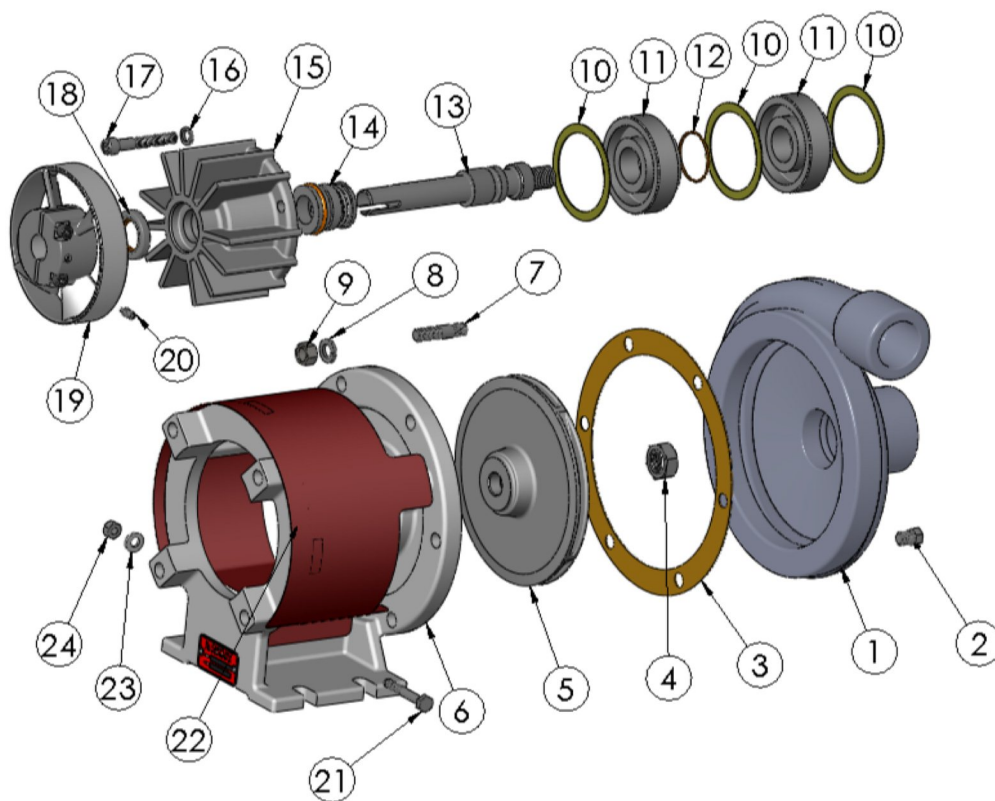
Pump dimensions certifiable for construction purposes.
 Motor dimensions dependent upon motor manufacturer.

29411



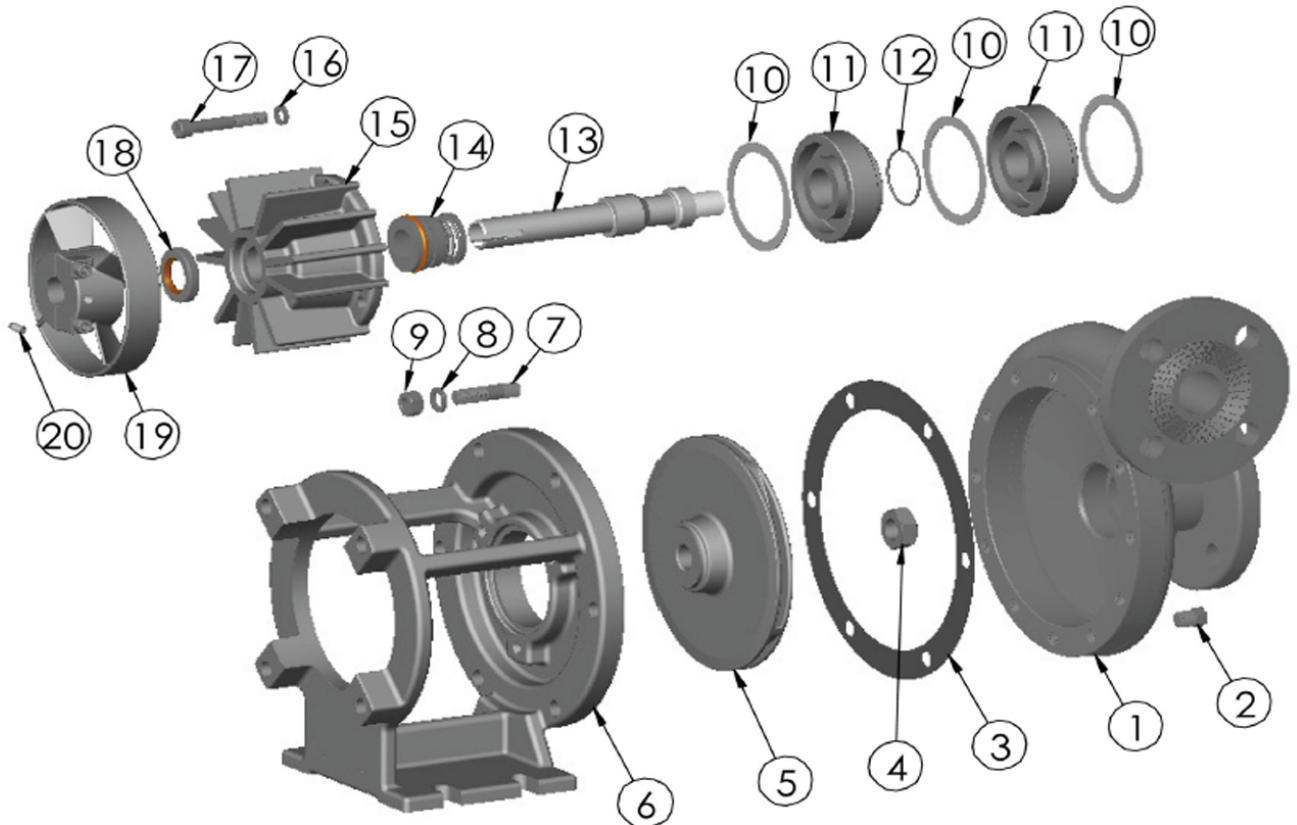
NOTE: THIS DRAWING OR PRINT, PROPERTY OF MP PUMPS INC. CONTAINS PROPRIETARY AND CONFIDENTIAL INFORMATION. IT SHALL BE USED ONLY AS APPROVED BY MP PUMPS AND SHALL NOT BE GIVEN TO OTHERS OR COPIED WITHOUT THE WRITTEN CONSENT OF MP PUMPS. RETURN TO MP PUMPS PROMPTLY WHEN REQUESTED.

G					UNLESS OTHERWISE NOTED THIRD ANGLE PROJECTION 2 PLACE DIM ± .020 3 PLACE DIM ± .010 ANGULAR DIM ± 1° DO NOT SCALE	MP PUMPS, INC.				
F						FRASER, MICHIGAN 48026, U.S.A.				
E						MATERIAL	DUCTILE IRON ASTM A536 (65-45-12)			
D						DRAWN BY	DATE COMP.	APPROV.	SCALE	MADE FOR
C						C.W.	4-12-12	D.D.	FULL	
B					NAME	HTO-80 ASSY.			DRAWING NO	
A									29411	
REV	DESCRIPTION	DRAWN	DATE	ED						



ITEM	PART NO.	DESCRIPTION	QTY.	ITEM	PART NO.	DESCRIPTION	QTY.
1	25666	HOUSING- DUCTILE IRON	1	13	29166	DRIVE SLEEVE S.S. - 56C	1
	21585	PIPE PLUG- 1/8 NPT ZPS	2	* 14	29168	SEAL ASSY - 3/4 T-21 CAR/SIC	1
* 3	31518	GASKET- HOUSING	1	15	29162	SEAL HOUSING D - HTO80	1
4	22655	HEX JAM NUT ZPS - 5/8-18	1	16	29765	WASHER FLAT STL	3
5	25910	IMPELLER 5.90 DIA- STL.	1	17	29178	CAPSCREW STL: 5/16-18 X 2"	3
6	29160	ADAPTOR- DUCTILE IRON	1	* 18	29167	LIP SEAL- VITON	1
7	21261	STUD SS: 3/8-16 X 1.63"	6	19	29164	FAN CLAMP- DUCTILE IRON	1
8	21266	LOCKWASHER SS- 3/8"	6	20	33417	SET SCREW STL: 1/4-28	1
9	21268	HEXNUT SS: 3/8-16	6	21	33810	CAPSCREW ZPS - 5/16-18 X 1.75	1
* 10	29165	GASKET- ISOLATOR	3	22	33273	SHIELD ZPS - HTO80 & 120	1
* 11	29158	ISOLATOR	2	23	27261	WASHER STL - 7.2MM	1
* 12	29230	O-RING - VITON	1	24	21241	HEXNUT S.S. - 1/4-20	1

* RECOMMENDED REPLACEMENT PARTS



ITEM	PART NO.	DESCRIPTION	QTY.
1	31871	HOUSING- DUCTILE IRON	1
2	21585	PIPE PLUG- 1/8 NPT ZPS	2
3	31518	GASKET- HOUSING	1
4	22655	HEX JAM NUT: 5/8-18	1
5	25910	IMPELLER 5.90 DIA- DUCTILE IRON	1
6	29160	ADAPTOR- DUCTILE IRON	1
7	21261	STUD SS: 3/8-16 X 1.63"	6
8	21266	LOCKWASHER SS- 3/8"	6
9	21268	HEXNUT SS: 3/8-16	6
10	29165	GASKET- ISOLATOR	3

ITEM	PART NO.	DESCRIPTION	QTY.
11	29158	ISOLATOR	2
12	29230	O-RING: VITON	1
13	29166	DRIVE SLEEVE: 56C	1
14	29168	SEAL ASSEMBLY	1
15	29162	SEAL HOUSING- DUCTILE IRON	1
16	29765	WASHER STL	3
17	29178	CAPSCREW STL: 5/16-18	3
18	29167	LIP SEAL- VITON	1
19	29164	FAN CLAMP- DUCTILE IRON	1
20	33417	SET SCREW STL: 1/4-28	1