



SERIES 80

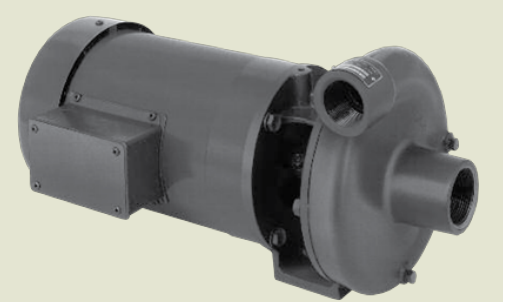
1-1/2" x 1-1/4" End Suction Centrifugal Pump

SERIES 80 end suction centrifugal pumps are close-coupled to standard NEMA "C" face motors. Open adaptor protects motor. All models are available in cast iron, bronze or aluminum construction to suit a wide variety of liquids.

All fasteners are stainless steel to reduce corrosion. Impellers are dynamically balanced to improve efficiency and bearing life.

Standard carbon / ceramic / Viton mechanical seal is self-adjusting and corrosion resistant to handle almost any liquid.

Completely tested "Wet End" PumPAKs are available without motors. The MP PumPAK® can be mounted to standard NEMA C frame motors in just minutes.



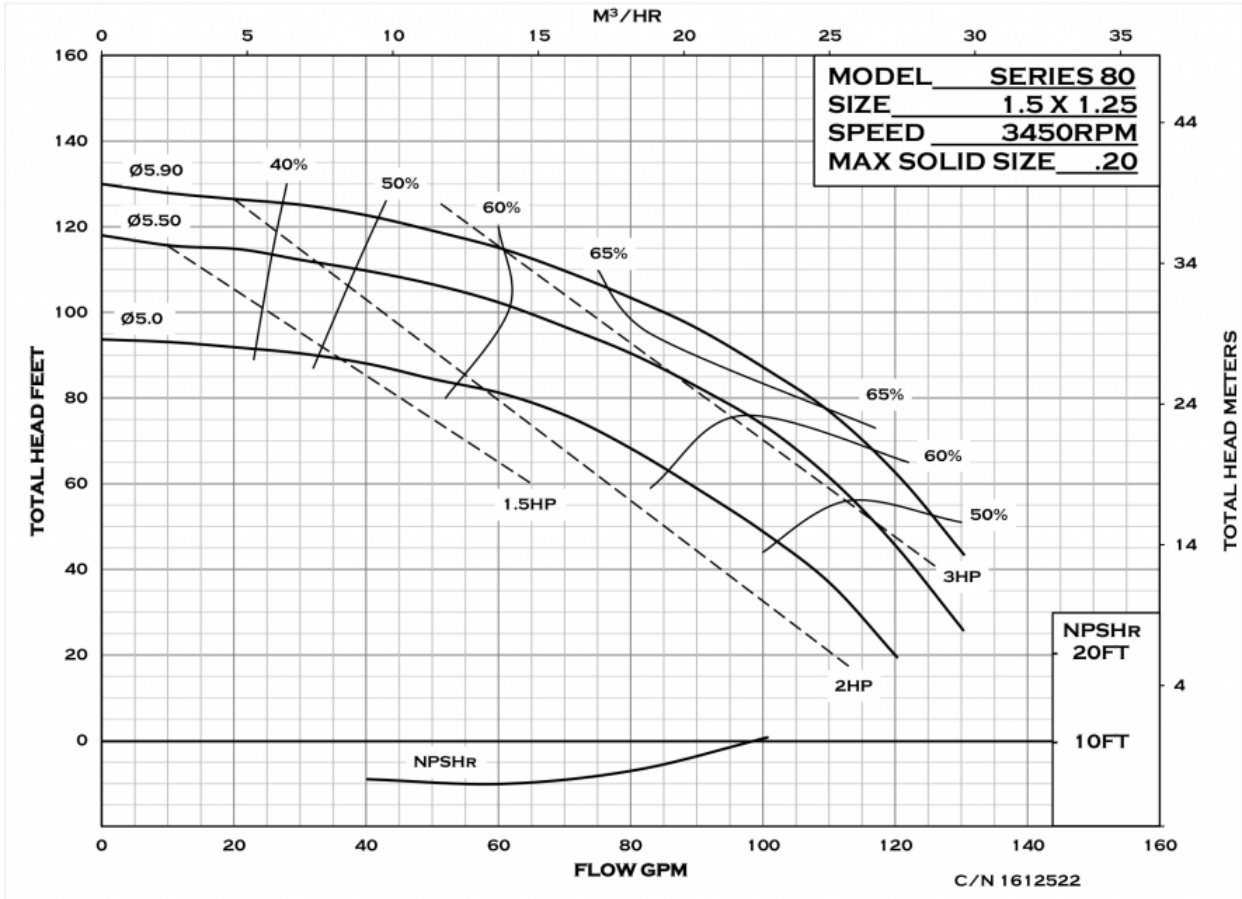
Application

- Agricultural
- Commercial
- Industrial
- OEM

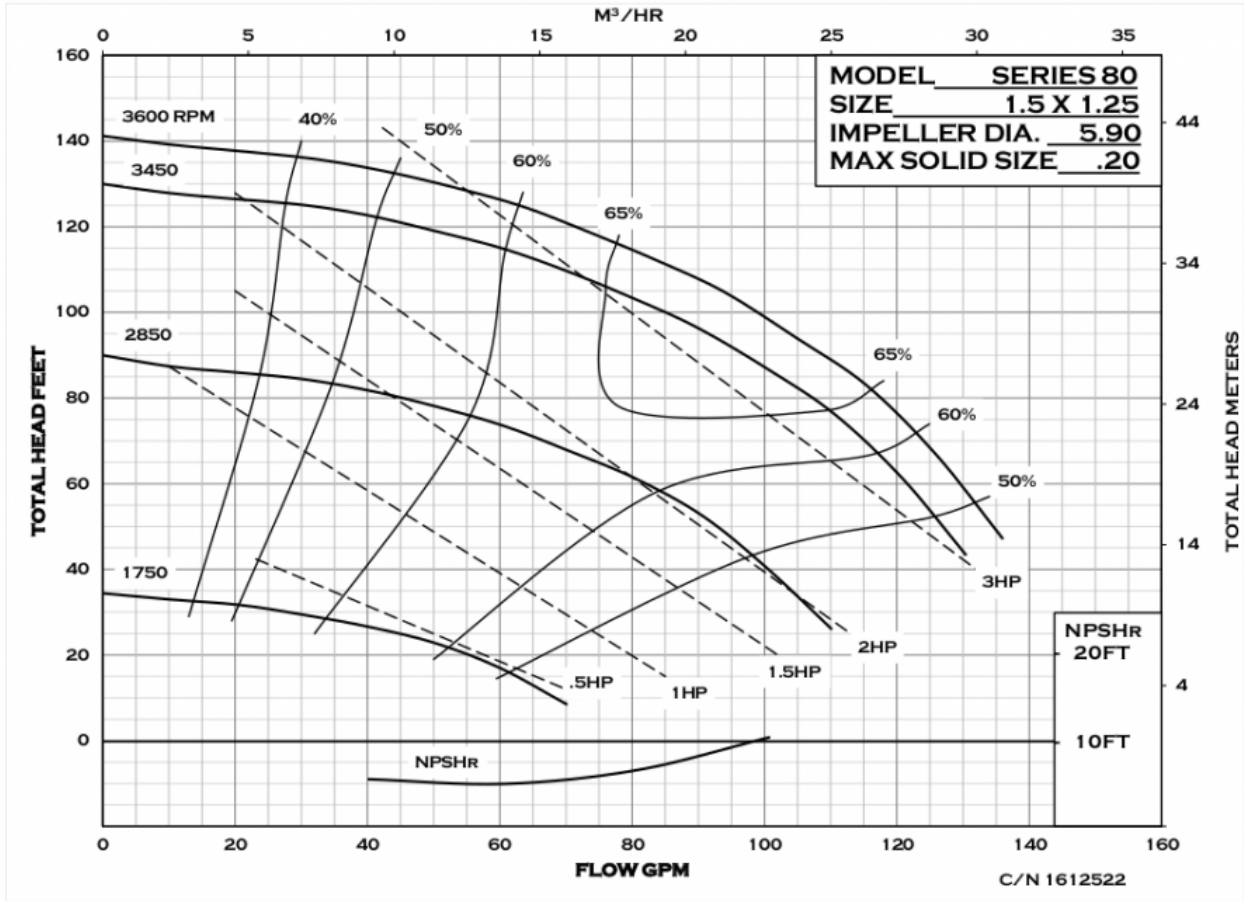
SPECIFICATIONS:

| | |
|---------------------------|--|
| Suction And Discharge | 1-1/2" x 1-1/4" NPT |
| Materials Of Construction | Bronze, Cast iron |
| Flow | Up to 80 GPM |
| Head Feet | Up to 139' |
| Impeller | 5.9" enclosed |
| Motor | Up to 3 HP |
| Drive Options | Close coupled 56J, Hydraulic motor .37 cu. in., Hydraulic motor .45 cu. in., Hydraulic motor .58 cu. in., Close coupled 145TC, Pedestal, PumPAK® (without motor) |
| Seal | Special seal material combinations available (consult factory), Standard carbon / ceramic / Viton |
| Max Solid Size | .13" |

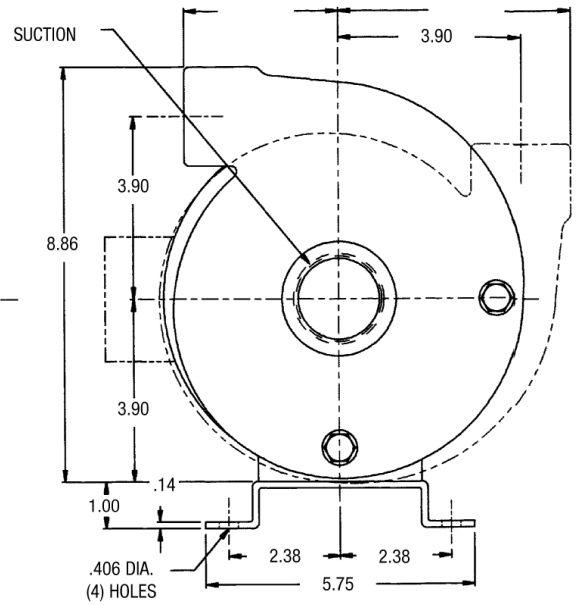
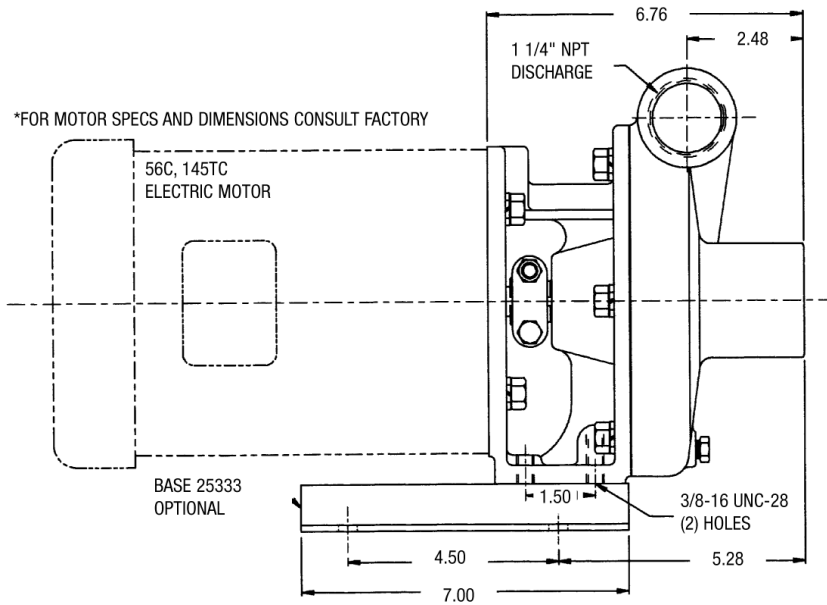
SERIES 80



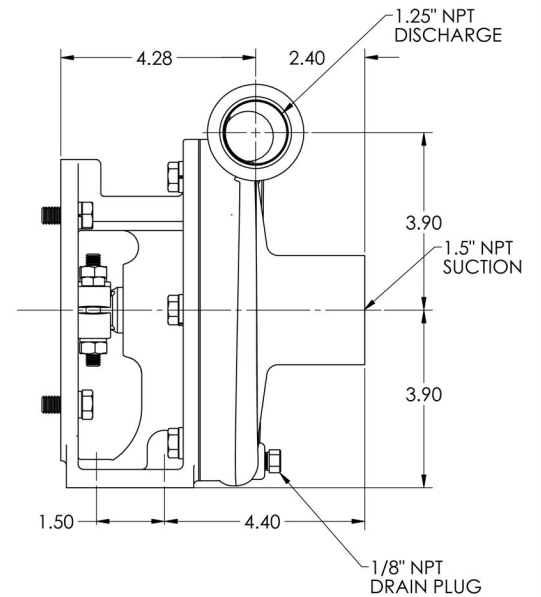
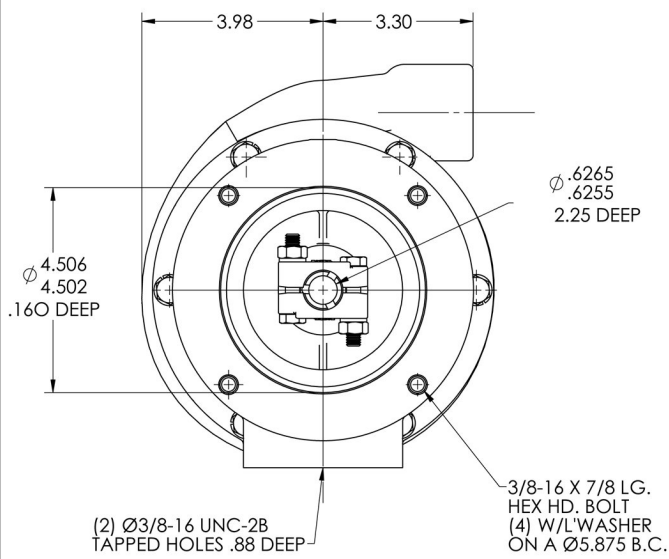
34800 BENNETT - FRASER, MI 48026-1686
 (586) 293-8240 - FAX (586) 293-8469
 (800) 563-8006 - www.mppumps.com



SERIES 80



27046



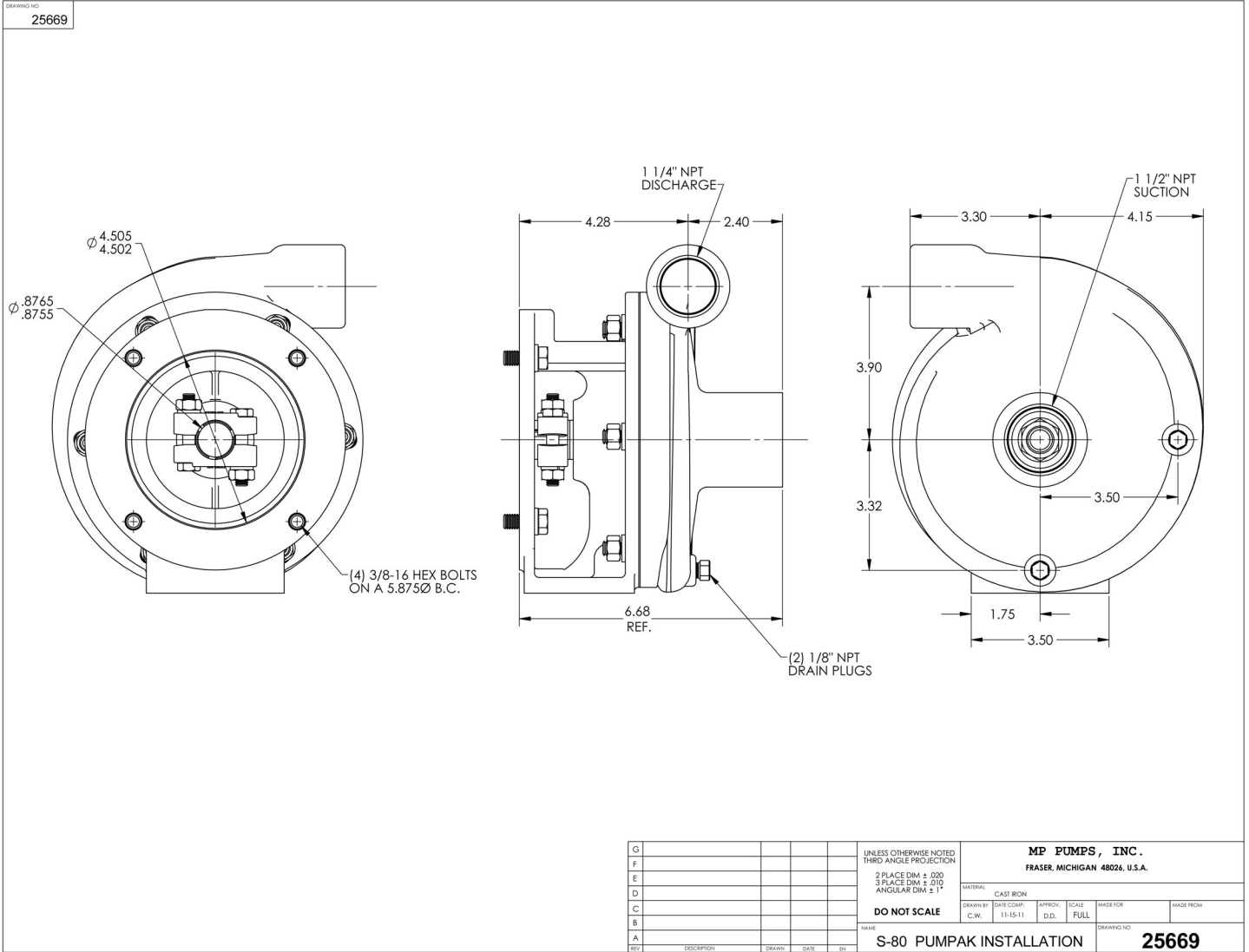
(56C)

| | | | | | | | | | | | |
|-----|-------------|-------|------|----|--|--|--|---|-----------|------------|--|
| G | | | | | | | | | | | |
| F | | | | | | | | | | | |
| E | | | | | | | | | | | |
| D | | | | | | | | | | | |
| C | | | | | | | | | | | |
| B | | | | | | | | | | | |
| A | | | | | | | | | | | |
| REV | DESCRIPTION | DRAWN | DATE | BY | UNLESS OTHERWISE NOTED THIRD ANGLE PROJECTION 2 PLACE DIM ± .020 3 PLACE DIM ± .010 ANGULAR DIM ± 1° | | | MP PUMPS, INC. FRASER, MICHIGAN 48026, U.S.A. | | | |
| | | | | | MATERIAL: CAST AND DUCTILE IRON DO NOT SCALE | | | DRAWN BY: C.W. DATE DESIG.: 2-26-2013 APPROVED: D.D. SCALE: FULL | MADE FOR: | MADE FROM: | |
| | | | | | NAME: S-80 PUMPAK INSTALLATION | | | DRAWING NO: 27046 | | | |



34800 BENNETT - FRASER, MI 48026-1686
 (586) 293-8240 - FAX (586) 293-8469
 (800) 563-8006 - www.mppumps.com

SERIES 80

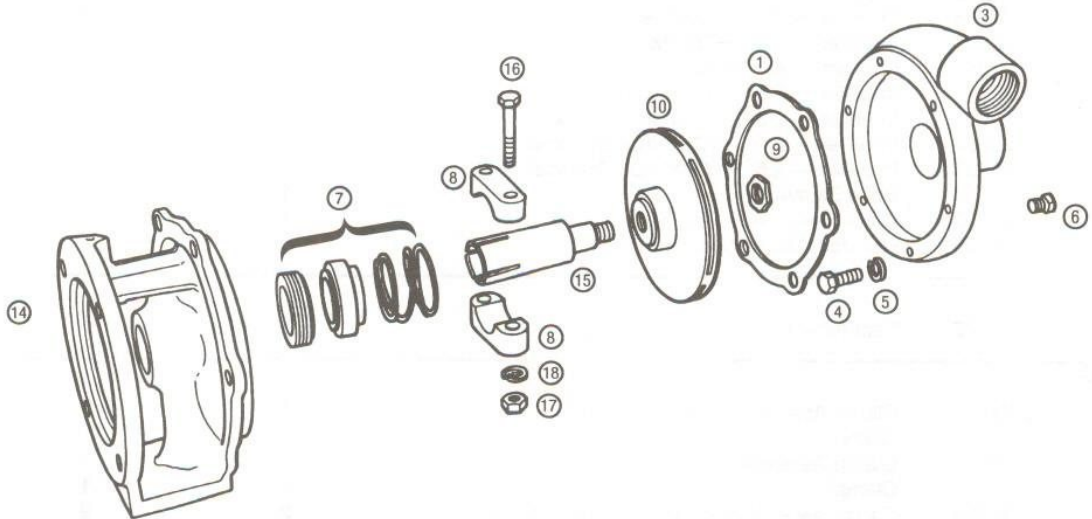


| | | | | | | | | | | |
|------|-------------|-------|------|----|--|---|---------------------|--------------|-------------|------------|
| G | | | | | UNLESS OTHERWISE NOTED THIRD ANGLE PROJECTION 2 PLACE DIM $\pm .020$ 3 PLACE DIM $\pm .010$ ANGULAR DIM $\pm 1^\circ$ DO NOT SCALE | MP PUMPS, INC. FRASER, MICHIGAN 48026, U.S.A. | | | | |
| F | | | | | | MATERIAL: CAST IRON | | | | |
| E | | | | | | DRAWN BY: C.W. | DATE COMP: 11-15-11 | APPROV: D.D. | SCALE: FULL | MADE FOR: |
| D | | | | | | | | | | MADE FROM: |
| C | | | | | | | | | | |
| B | | | | | | | | | | |
| A | | | | | | | | | | |
| REV. | DESCRIPTION | DRAWN | DATE | BY | NAME: S-80 PUMPAK INSTALLATION DRAWING NO: 25669 | | | | | |

MP PUMPS SERVICE PARTS LIST

- Straight Centrifugal
- Pumpak
- Electric Motor Drive
- Mechanical Seal

SERIES 80
1 1/2" x 1 1/4" Pipe Size



IMPORTANT: When ordering parts, specify model and serial number shown on nameplate.
 N/S means not shown in exploded view of parts.

| ITEM NO. | PART NO. | DESCRIPTION | QUANTITY REQUIRED PER MODEL | | |
|----------|----------|-------------|-----------------------------|---------------------------------------|--------|
| | | | ROTATION | ALL MODELS LISTED ARE RIGHT HAND | |
| | | | PIPE SIZE | ALL MODELS LISTED ARE 1-1/2" x 1-1/4" | |
| | | | METAL | CAST IRON | BRONZE |

HOUSING

| | | | | | |
|---|-------|--|--|---|---|
| 3 | 25840 | Housing Assembly — Cast Iron Incl.: Housing — Cast Iron | | 1 | |
| 4 | 25663 | Capscrew — S.S. — 3/8" — 16" x 3/4" | | 6 | |
| 5 | 21266 | Lockwasher — S.S. — 3/8" x 1/8" | | 6 | |
| 6 | 21255 | Pipe Plug — S.S. — 1/8" | | 2 | |
| 1 | 25662 | Gasket — Housing | | 1 | |
| 3 | 25842 | Housing Assembly — Bronze Incl.: Housing — Bronze | | | 1 |
| 4 | 25663 | Capscrew — S.S. — 3/8" — 16" x 3/4" | | | 6 |
| 5 | 21266 | Lockwasher — S.S. — 3/8" x 1/8" | | | 6 |
| 6 | 21185 | Pipe Plug — Bronze — 1/8" | | | 2 |
| 1 | 25662 | Gasket — Housing | | | 1 |



FORM 7047-C

PRINTED IN U.S.A. (8-97)

| ITEM NO. | PART NO. | DESCRIPTION | QUANTITY REQUIRED PER MODEL | | |
|--------------------------|----------|--|-----------------------------|---------------------------------------|--------|
| | | | ROTATION | ALL MODELS LISTED ARE RIGHT HAND | |
| | | | PIPE SIZE | ALL MODELS LISTED ARE 1-1/2" x 1-1/4" | |
| | | | METAL | CAST IRON | BRONZE |
| IMPELLER ENCLOSED | | | | | |
| 10 | 25668 | Impeller — 5.9" — Bronze | | 1 | 1 |
| 10 | 26090 | Impeller — 5.75" — Bronze | | 1 | 1 |
| 10 | 25443 | Impeller — 5.5" — Bronze | | 1 | 1 |
| 10 | 25818 | Impeller — 5.0" — Bronze | | 1 | 1 |
| 10 | 25867 | Impeller — 4.8" — Bronze | | 1 | 1 |
| 10 | 25988 | Impeller — 4.5" — Bronze | | 1 | 1 |
| 10 | 25910 | Impeller — 5.9" — Cast Iron Optional | | 1 | 1 |
| 10 | 25975 | Impeller — 5.5" — Cast Iron Optional | | 1 | 1 |
| 10 | 26487 | Impeller — 5.0" — Cast Iron Optional | | 1 | 1 |
| 10 | 26437 | Impeller — 4.5" — Cast Iron Optional | | 1 | 1 |
| 15 | 25664 | Drive Sleeve — S.S.— 7/8" | | 1 | 1 |
| 15 | 22253 | Drive Sleeve — S.S.— 5/8" | | 1 | 1 |
| 9 | 22655 | Hex Jam Nut — S.S. — 5/8" | | 1 | 1 |
| SEAL | | | | | |
| 7 | 22272 | Seal Assembly | | 1 | 1 |
| CLAMP | | | | | |
| 8 | 23002 | Clamp Assembly — 5/8" Sleeve | | 1 | 1 |
| 8 | 23003 | Clamp Assembly — 7/8" Sleeve | | 1 | 1 |
| 16 | 21264 | Capscrew — S.S. — 5/16" — 18" x 1-3/4" | | 2 | 2 |
| 17 | 21284 | Hex Nut — S.S. — 5/16" — 18" x 17/64" | | 2 | 2 |
| 18 | 21238 | Lockwasher — S.S. — 5/16" x 1/8" | | 2 | 2 |
| ADAPTOR | | | | | |
| 14 | 25332 | Adaptor — Cast Iron | | 1 | |
| 14 | 25674 | Adaptor — Bronze | | | 1 |
| 12 | 21251 | Capscrew — S.S. — 3/8" — 16" x 7/8" | | 4 | 4 |
| 13 | 21266 | Lockwasher — S.S. — 3/8" x 1/8" | | 4 | 4 |

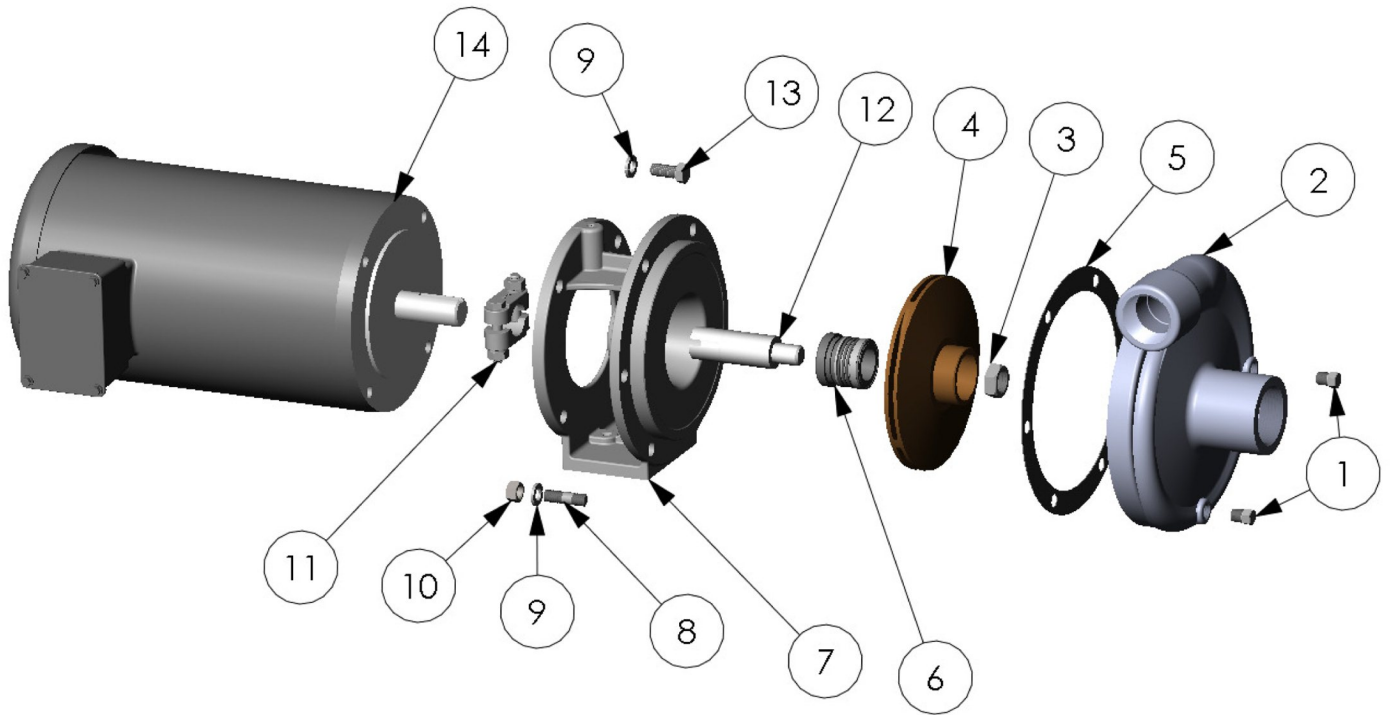


FORM 7047-C

PRINTED IN U.S.A. (8-97)



34800 BENNETT - FRASER, MI 48026-1686
 (586) 293-8240 - FAX (586) 293-8469
 (800) 563-8006 - www.mppumps.com



| ITEM NO. | PART NO. | DESCRIPTION | QTY. |
|----------|----------|--|------|
| 1 | 21585 | PIPE PLUG ZPS - 1/8" NPT | 2 |
| 2 | 25666 | HOUSING D - 1.5" X 1.25" | 1 |
| 3 | 22655 | JAM NUT S.S. - 5/8"-18 | 1 |
| 4 | 25668 | IMPELLER B - 5.9" O.D. | 1 |
| * | 5 | 25662 GASKET - KLINGERSIL - C-4433 | 1 |
| * | 6 | 22273 SEAL- VITON | 1 |
| 7 | 25332 | ADAPTER C | 1 |
| 8 | 21260 | STUD S.S. - 3/8-16 X 1.32 | 6 |
| 9 | 21266 | LOCKWASHER S.S. - 3/8" | 10 |
| 10 | 21268 | HEXNUT S.S. - 3/8-16 | 6 |
| 11 | 23003 | CLAMP ASSY. S.S. | 1 |
| 12 | 25664 | DRIVE SLEEVE S.S. - 7/8" | 1 |
| 13 | 21251 | HEX HD. CAPSCREW S.S. 3/8-16 X .88 | 4 |
| 14 | 25920 | ELE. MOTOR 3HP, 3PH, 3450 RPM, 145TC NO BASE | 1 |

*- RECOMMENDED REPLACEMENT