



# CFX 125

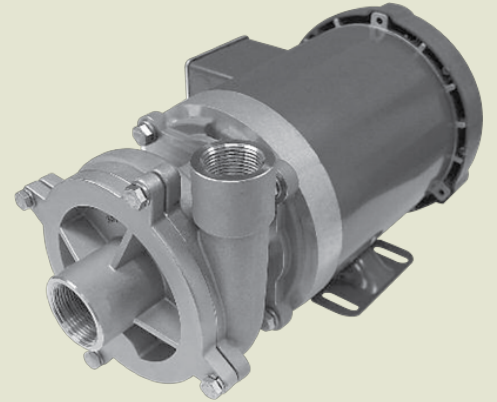
## 1-1/4" x 1" End Suction Centrifugal Pump

The CFX 125 316 stainless steel centrifugal pump is ideal for hard-to-handle applications in the marine, commercial, and industrial markets.

All wetted components are 316 investment cast stainless steel providing superior corrosion resistance when pumping chemical compounds. A carbon / ceramic / Viton bellows shaft seal is standard with optional seals available on request. The CFX 125 model is available with 1-1/4" x 1" NPT port configurations. Pump rotation in 90° increments.

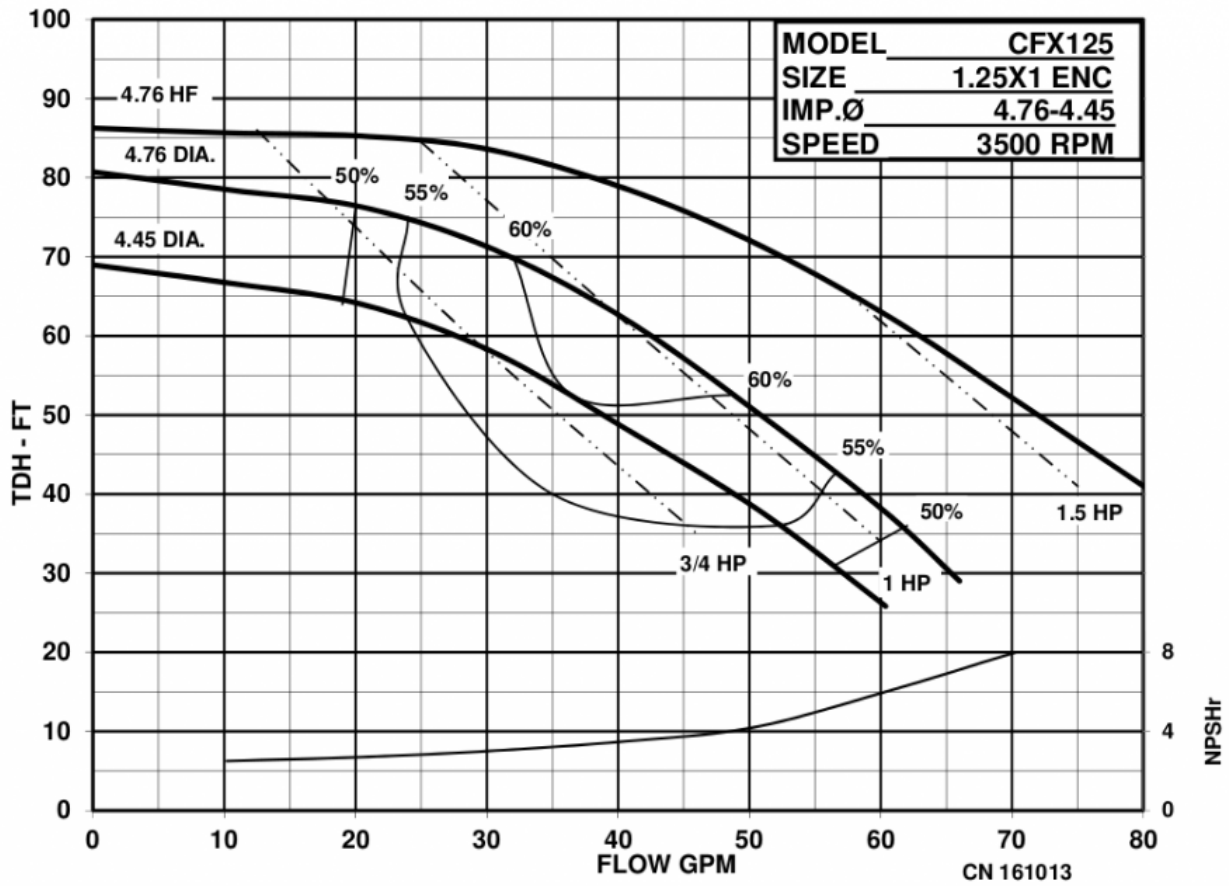
### SPECIFICATIONS:

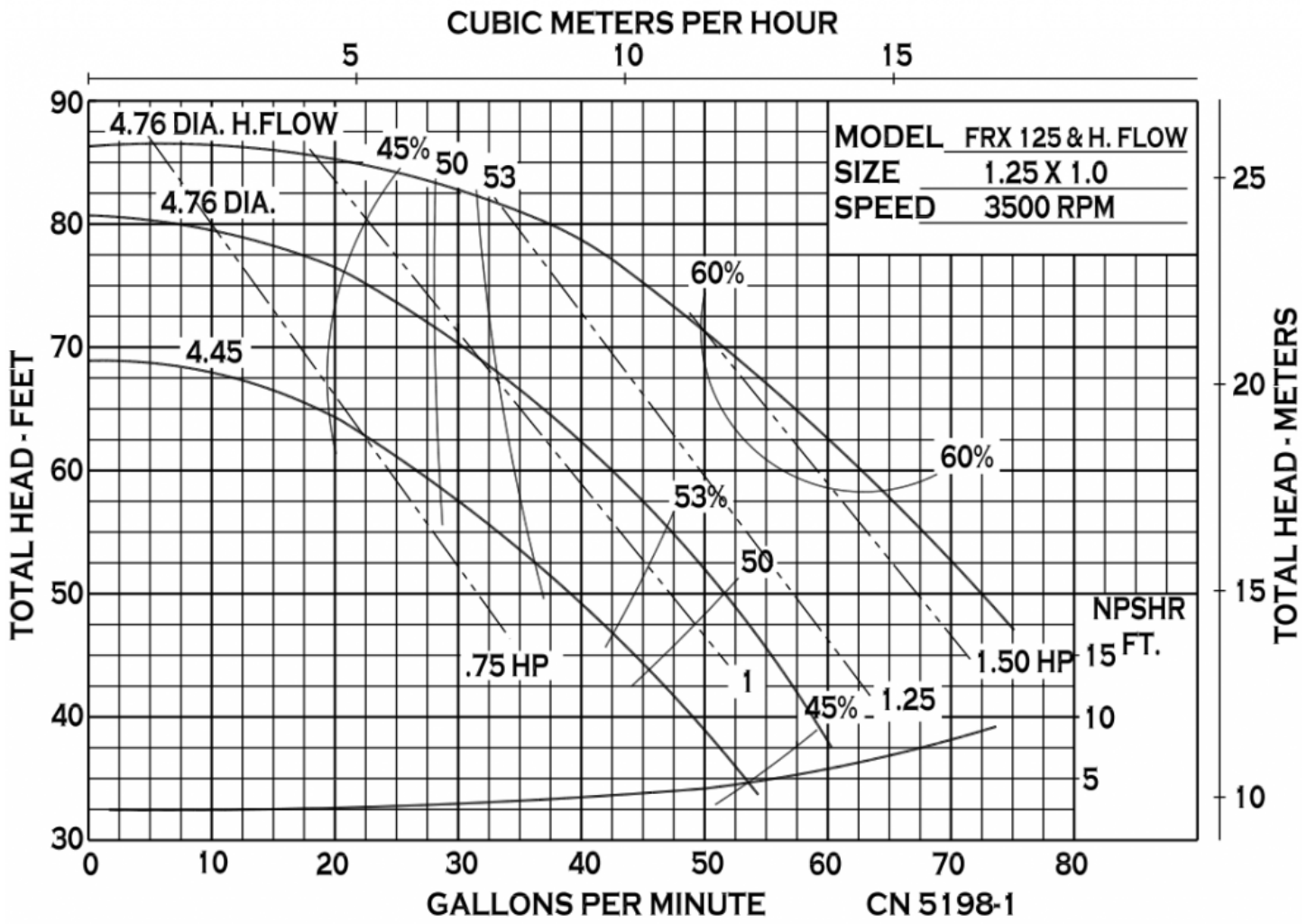
Suction And Discharge	1-1/4" NPT x 1" NPT
Materials Of Construction	316 stainless steel
Flow	Up to 80 GPM
Head Feet	Up to 87'
Impeller	4.76" 316 stainless steel enclosed (investment cast)
Drive Options	Close coupled 115V AC, Close coupled 230V AC, Pedestal
Seal	Carbon / Ceramic / Viton, Carbon / ceramic / Viton bellows 150 PSI, Special seals upon request

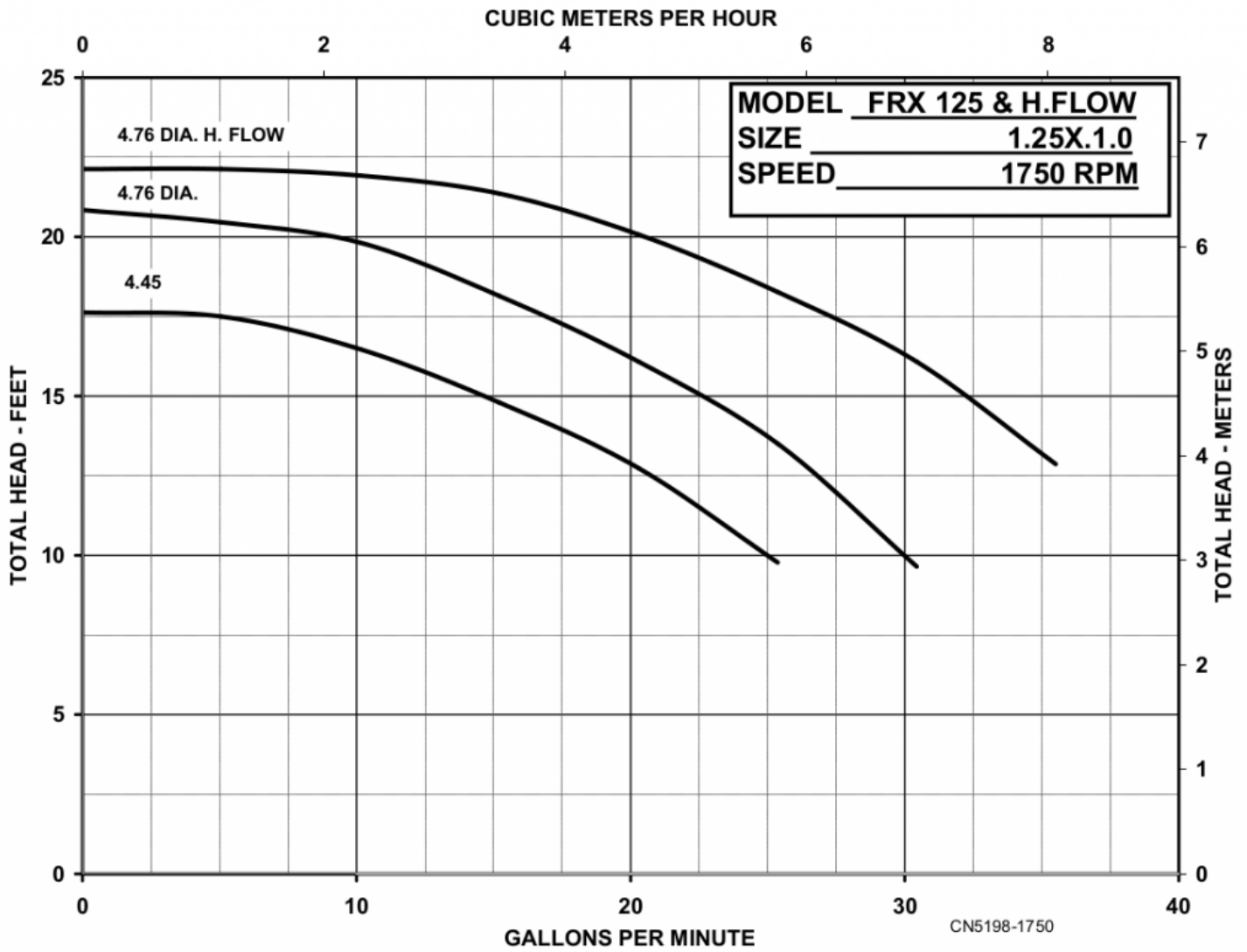


### Application

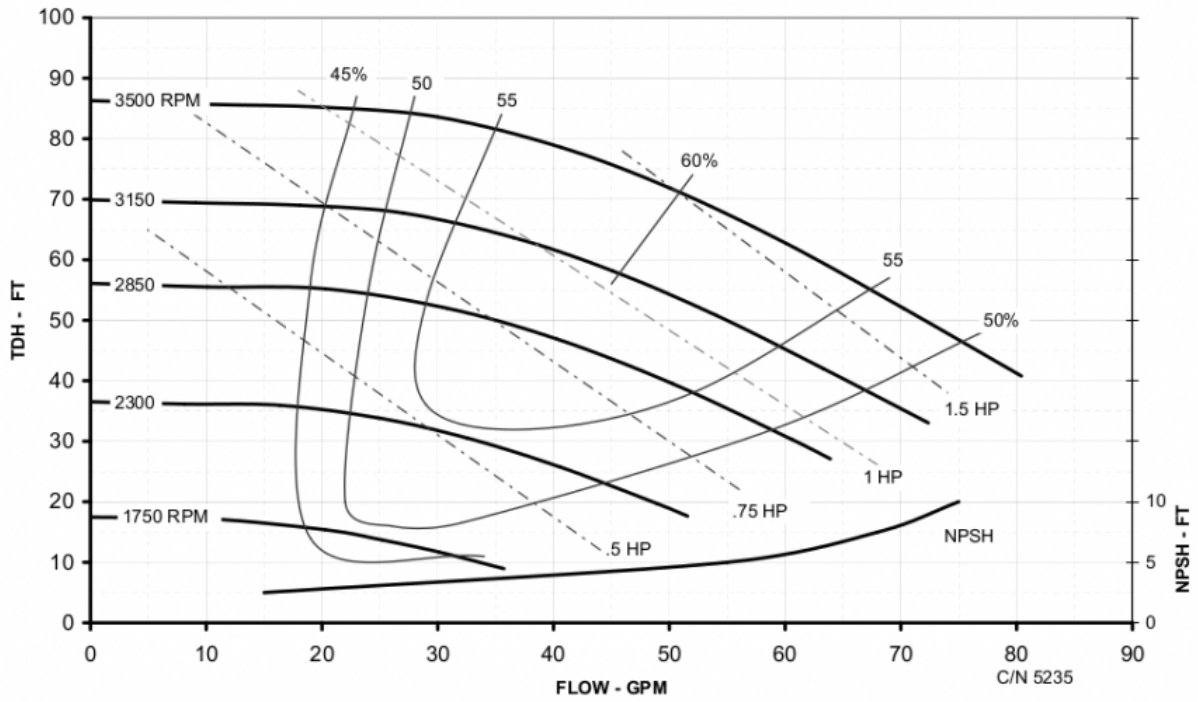
- Agricultural
- Commercial
- Industrial
- Marine

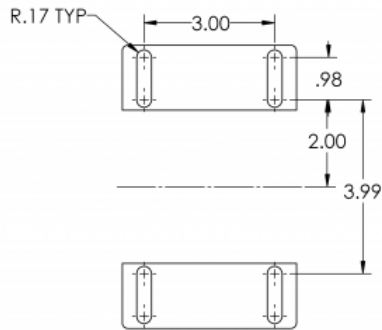
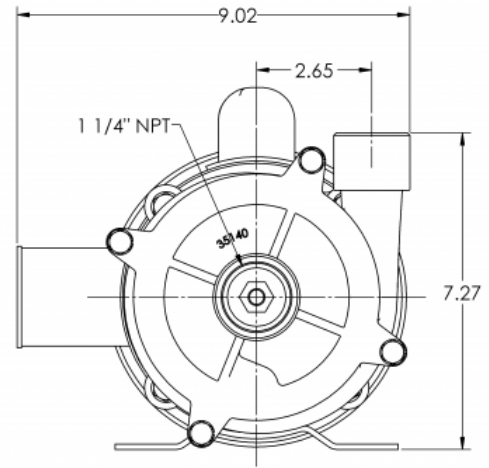
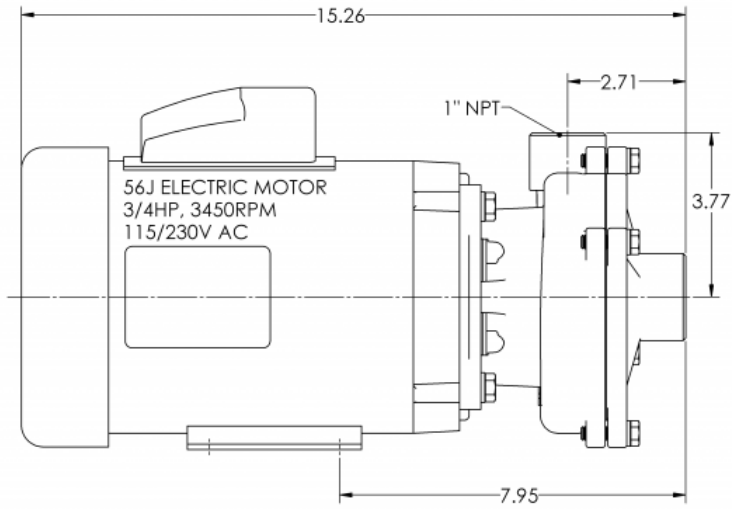




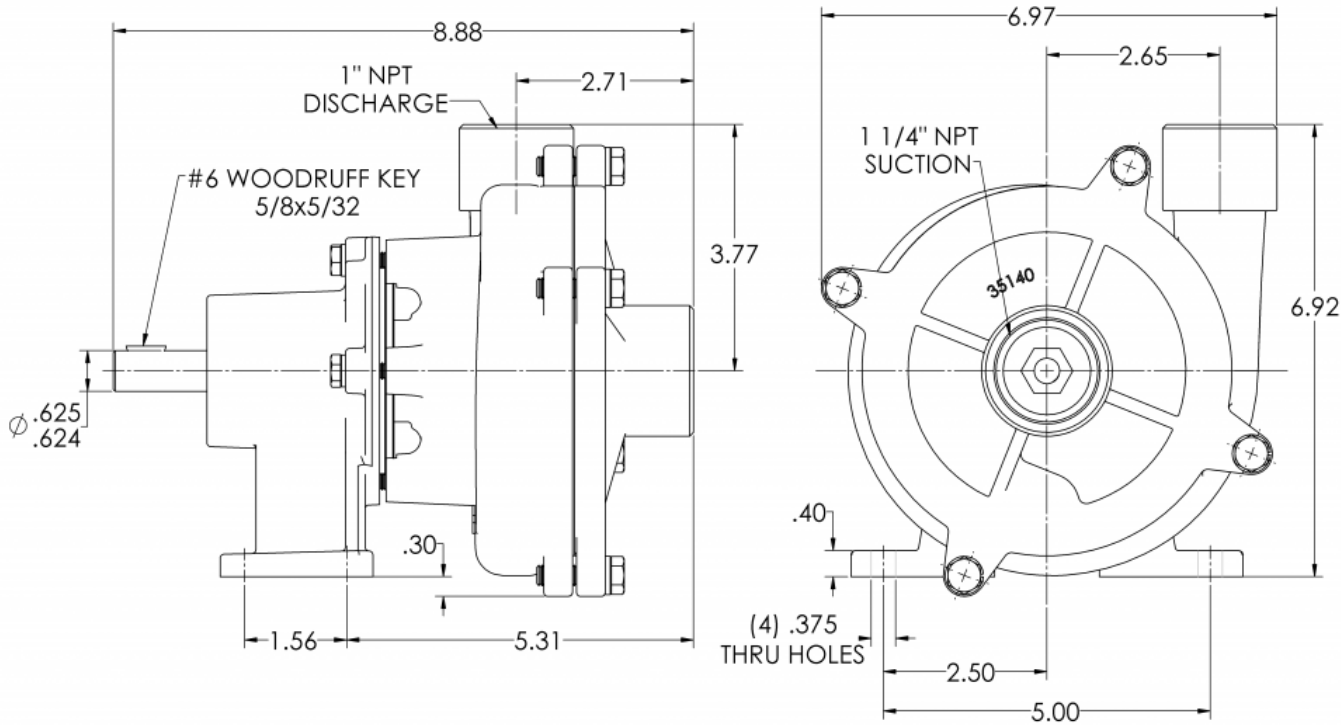


FRX125-HF  
4.76 Impeller

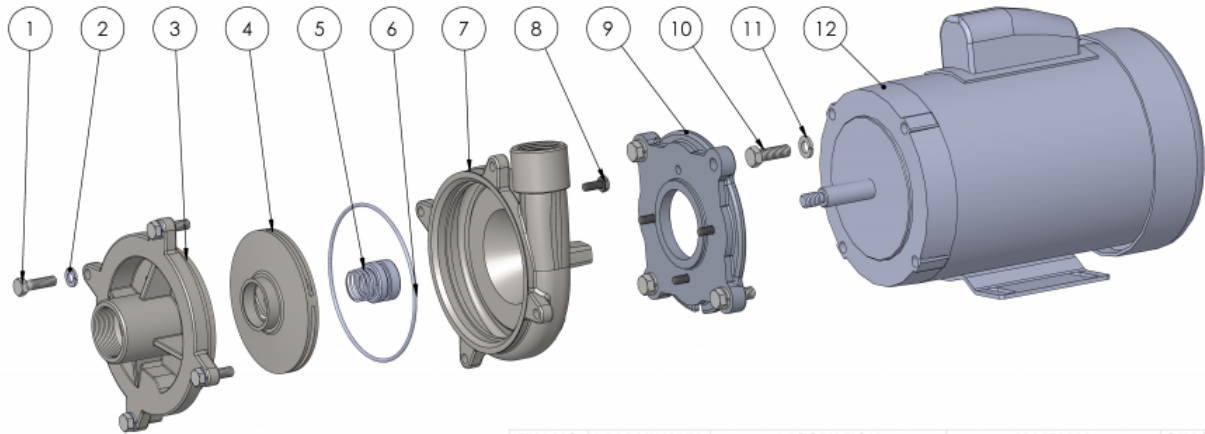




CFX 125 WITH AC MOTOR



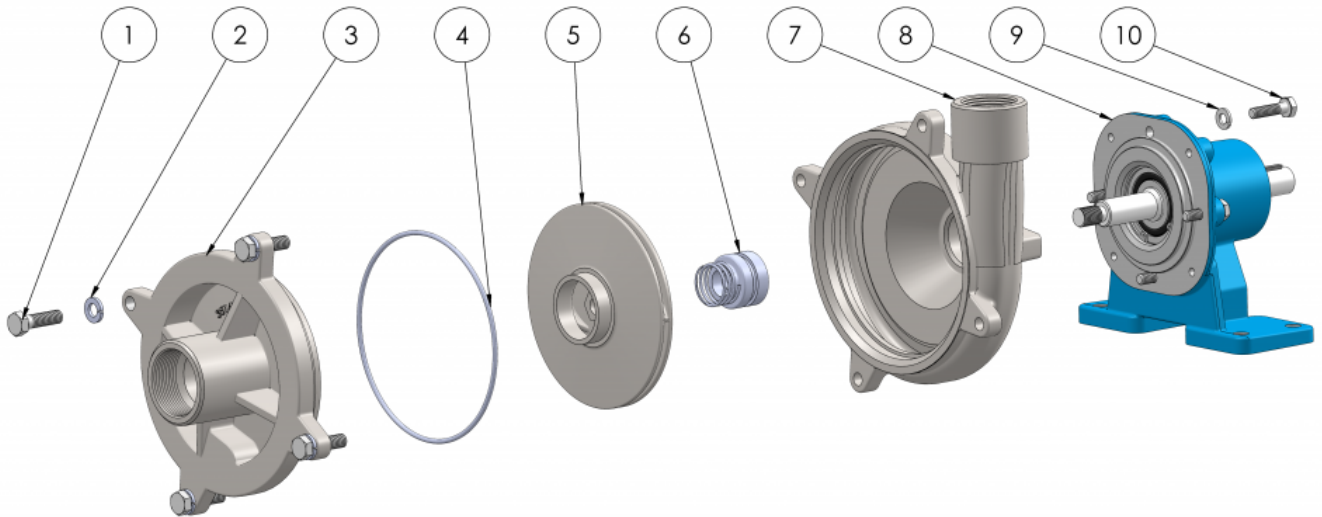
CFX 125 PEDESTAL



ITEM NO.	PART NUMBER	DESCRIPTION	MATERIAL	QTY.
1	21250	CAPSCREW 5/16-18X1.13	304 SS	4
2	21238	LOCKWASHER 5/16 X 18	304 SS	4
3	35141	COVER	CF8M SS	1
4	35343	IMPELLER Ø4.45	CF8M SS	1
4	35143	IMPELLER Ø4.76 HF	CF8M SS	1
4	35325	IMPELLER Ø4.76	CF8M SS	1
5	35052	SEAL ASY:5/8 T-21	CCS/VITON	1
5	35053	SEAL ASY:5/8 T-9	TEFLON	1
5	35687	SEAL ASY:5/8 T-21	CSC/VITON	1
6	34555	O-RING AS-568-158	VITON	1
6	36910	O-RING AS-568-158	BUNA	1
6	36911	O-RING AS-568-158	EPDM	1
7	35139	HOUSING	CF8M SS	1
8	21504	CAP SCREW HH: 1/4-20X5/8	ZINC PLATED STEEL	4
9	34928	ADP PLT	ALUMINUM 356 T-6 CAST	1
10	21291	CAPSCREW 3/8-16X1.13	304 SS	4
11	21266	LOCKWASHER 3/8 X 1/8	304 SS	4
12	35159	ELECTRIC MOTOR 56J	TEFC	1

CFX 125 WITH AC MOTOR





CFX 125 PEDESTAL

ITEM NO.	PART NUMBER	DESCRIPTION	MATERIAL	QTY.
1	21250	CAPSCREW 5/16-18X1.13	304 SS	4
2	21238	LOCKWASHER 5/16 X 18	304 SS	4
3	35141	COVER	CF8M SS	1
4	34555	O-RING AS-568-158	VITON	1
4	36910	O-RING AS-568-158	BUNA	1
4	36911	O-RING AS-568-158	EPDM	1
5	35343	IMPELLER Ø4.45	CF8M SS	1
5	35143	IMPELLER Ø4.76 HF	CF8M SS	1
5	35325	IMPELLER Ø4.76	CF8M SS	1
6	35052	SEAL ASY:5/8 T-21	CCS/VITON	1
6	35053	SEAL ASY:5/8 T-9	TEFLON	1
6	35687	SEAL ASY:5/8 T-21	CSC/VITON	1
7	35139	HOUSING	CF8M SS	1
8	39547	PEDESTAL ASSEMBLY		1
9	33564	LOCKWASHER 1/4"	304 SS	4
10	33563	CAPSCREW 1/4-20X1	304 SS	4