



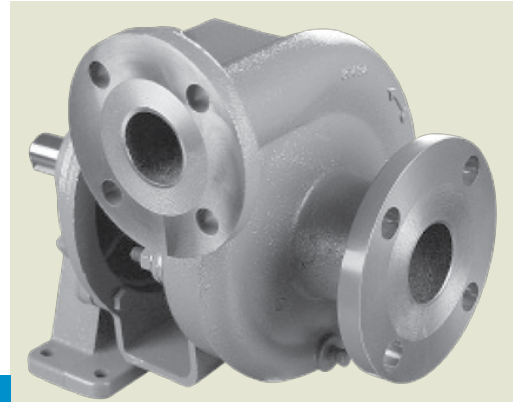
PETROLEUM 180

3" X 1-1/2" End Suction Centrifugal Pump

Specifically designed for petroleum based fluids, MP's Petroleum 180 series is available in three distinct models: SO 180, SG 180 and SE 180.

Designed to close-couple to 215JP frame electric motors, the models are also available as PumPAKs®. Additional mounting options include pedestal, diesel-engine drive, and hydraulic drive.

Pump rotation in 90° increments.



SPECIFICATIONS:

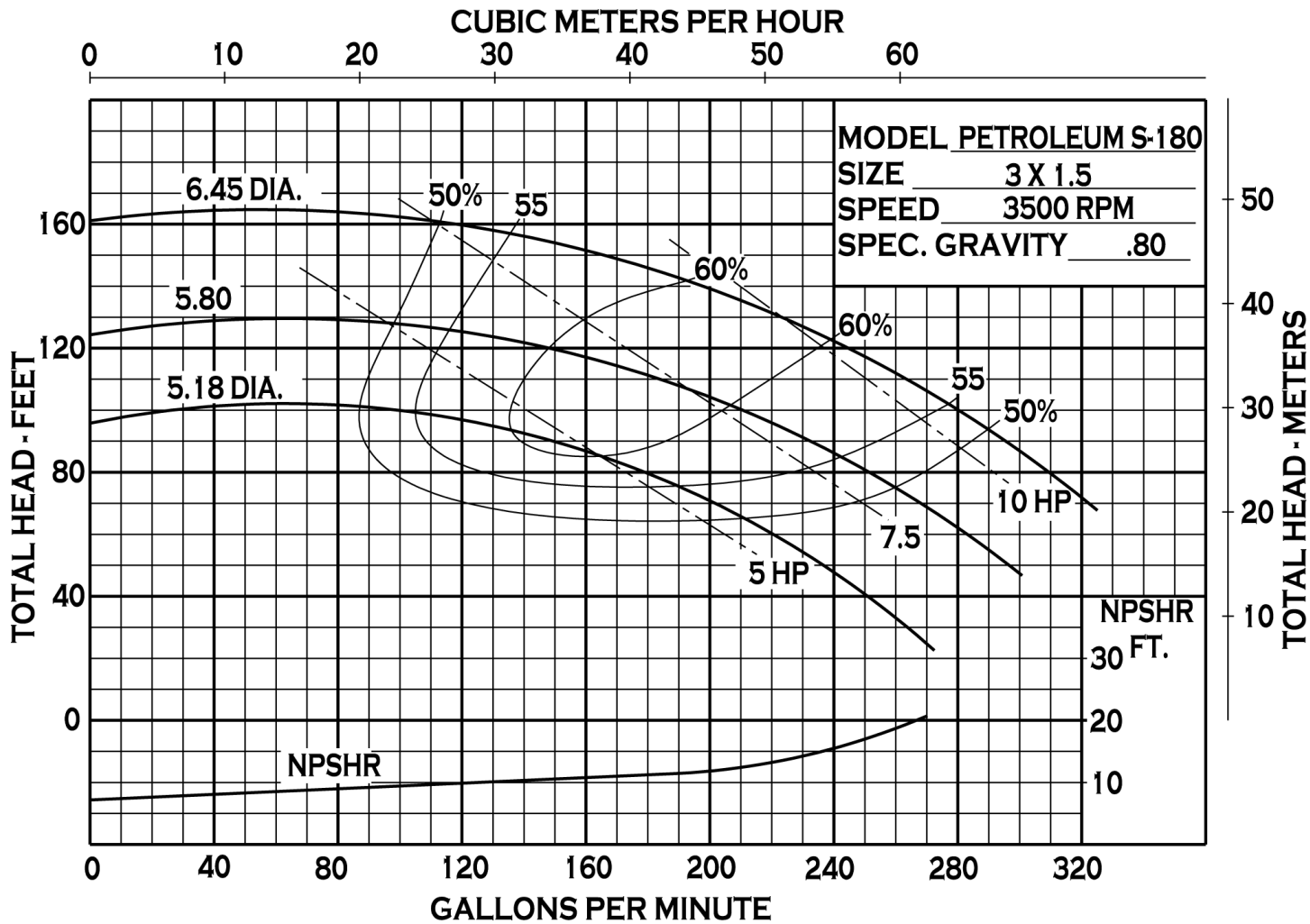
| | |
|-----------------------|---|
| Suction And Discharge | 3" x 1 1/2" 150# flange |
| Flow | Up to 320 GPM |
| Head Feet | Up to 160' |
| Impeller | SE 180 - enclosed cast iron, SG 180 - enclosed aluminum, SO 180 - enclosed cast iron |
| Motor | Up to 15 HP |
| Drive Options | Close coupled 215JP, Pedestal, PumPAK® (without motor) |
| Seal | SE 180 . . Type 2 Viton/Carbon/Silicon Carbide/SS, SG 180. . Type 2 Viton/Carbon/Silicon Carbide/SS, SO 180. . Type 21 Viton/Carbon/NiResist/SS |
| Compatible For | SE 180 - Ethanol, E 85, SG 180 - Gasoline, Avgas, Kerosene, Jet A/8, SO 180 - Biodiesel, Fuel Oil, Diesel |
| Mounting Options | SE 180 - Explosion proof Class 1 Group D, SG 180 - Explosion Proof Class 1 Group D, SO 180 - TEFC |

Application

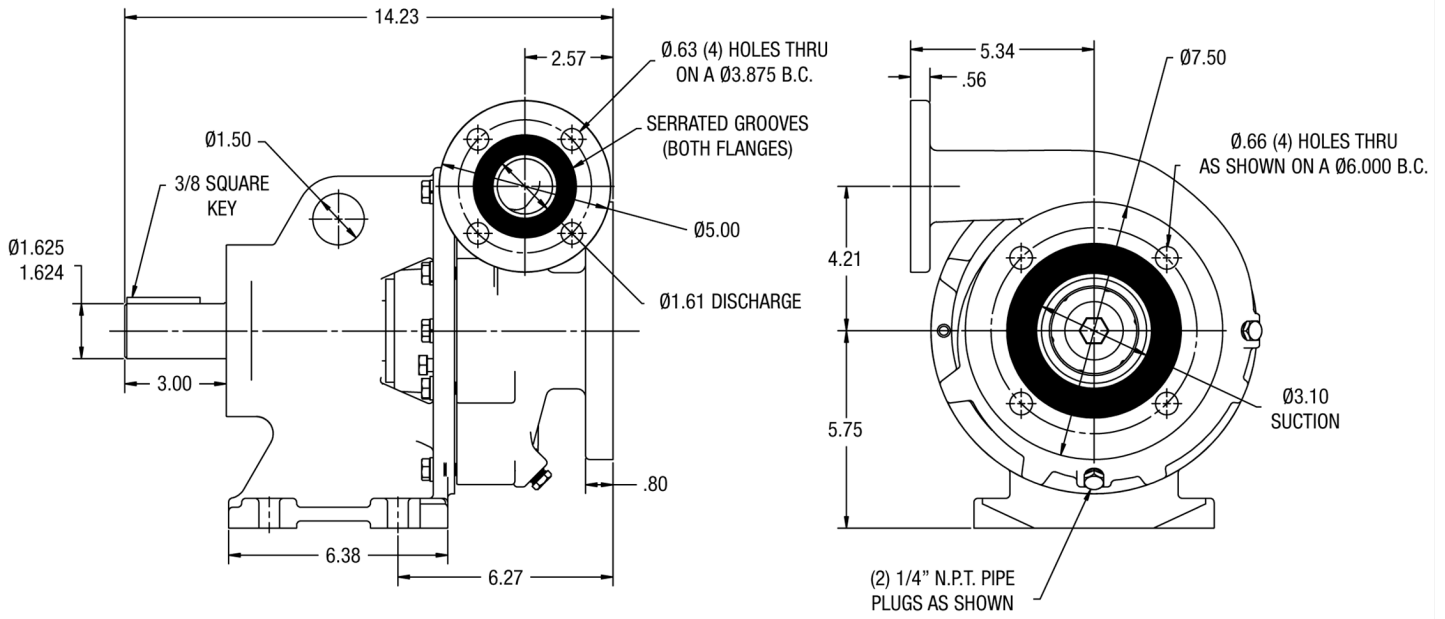
- Agricultural
- Industrial
- Marine
- OEM

Features

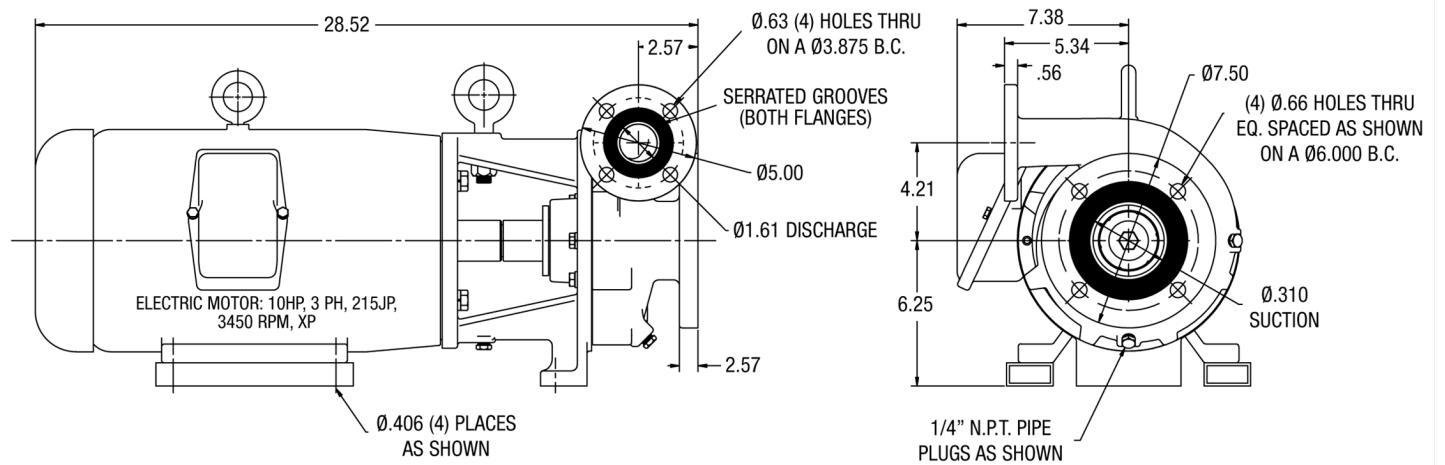
- Non-spark clamp



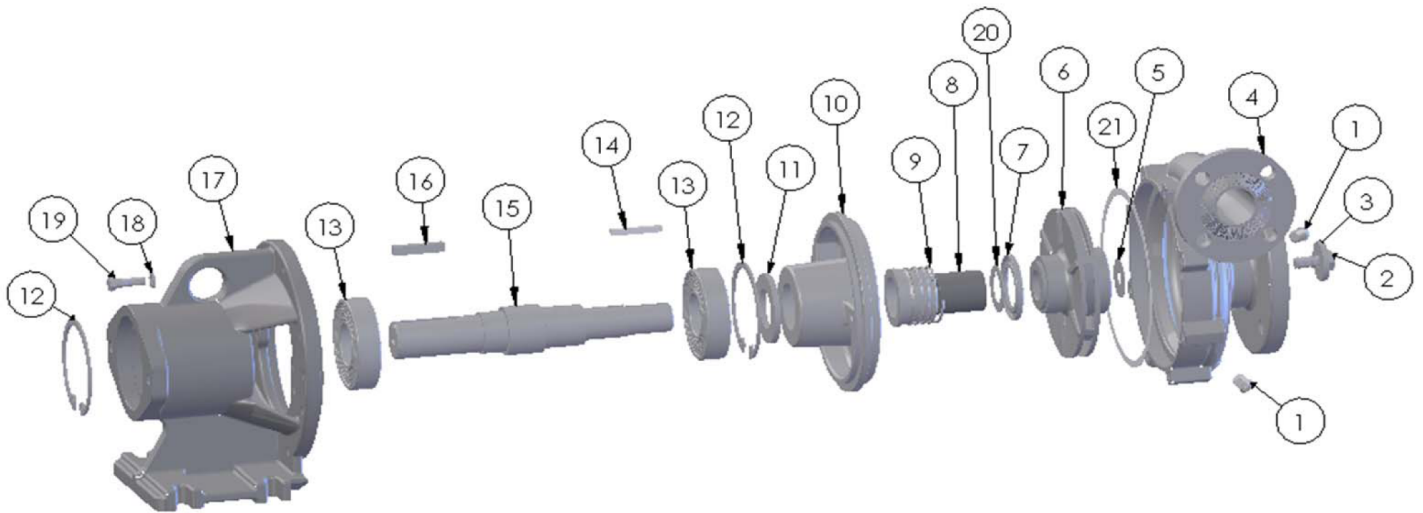
PEDESTAL-MOUNT



CLOSE COUPLED - ELECTRIC MOTOR



36261



| ITEM NO. | PART NO. | DESCRIPTION | QTY. |
|----------|----------|---|------|
| 1 | 21267 | PIPE PLUG S.S. - 1/4" NPT | 2 |
| 2 | 26674 | HEX HEAD SEAL BOLT S.S. - 1/2-13 X 1.25 | 1 |
| 3 | 26675 | WASHER S.S. - 1.7 X .516 X .25 | 1 |
| 4 | 36257 | HOUSING DUCTILE | 1 |
| * 5 | 36156 | GASKET - KLINGERSIL - C4433 | 1 |
| 6 | 36260 | IMPELLER DUCTILE | 1 |
| 7 | 26972 | SPRING HOLDER S.S. | 1 |
| 8 | 26996 | SHAFT SLEEVE S.S. | 1 |
| * 9 | 35711 | SEAL ASSY. NRS - 1.75 T-2 | 1 |
| 10 | 36258 | ADAPTER DUCTILE - MECH. SEAL | 1 |
| * 11 | 26680 | SLINGER NEOPRENE | 1 |
| 12 | 26998 | SNAP RING STL. | 2 |
| 13 | 26997 | BALL BEARING | 2 |
| 14 | 26796 | SQUARE KEY S.S. - .25 X .25 X 2.12 LG. | 1 |
| 15 | 26999 | SHAFT STL. | 1 |
| 16 | 27002 | SQUARE KEY STL. - .38 X .38 X 2.13 LG. | 1 |
| 17 | 26994 | BEARING HOUSING BODY - CAST IRON | 1 |
| 18 | 21266 | LOCKWASHER S.S. - 3/8" | 10 |
| 19 | 21274 | HEX HEAD CAP SCREW S.S. - 3/8-16 X 1.25 | 12 |
| * 20 | 36157 | GASKET - KLINGERSIL - C4433 | 1 |
| * 21 | 36256 | GASKET - KLINGERSIL - C4433 | 1 |

* RECOMMENDED REPLACEMENT PARTS