



SBX

1-1/8" x 1-1/8" Hose Centrifugal Transportation Circulator

The SBX is designed for directional booster applications of water or coolant. Cost effective design with splash / weather proof 12 or 24V DC motor.

SPECIFICATIONS:

Materials Of Construction	Aluminum
Flow	Up to 18 GPM
Head Feet	Up to 15'
Impeller	2.5" semi-open nickel steel
Drive Options	12 & 24V DC brushed electric motor
Seal	Carbon / silicon carbide or silicon carbide / silicon carbide or carbon / ceramic
Base	Stamped steel with (4) vibration isolating grommets
Temperature	Operation in ambient temperatures up to 200°F, Use with fluids to 220°F and sustained fluid temps up to 210°F



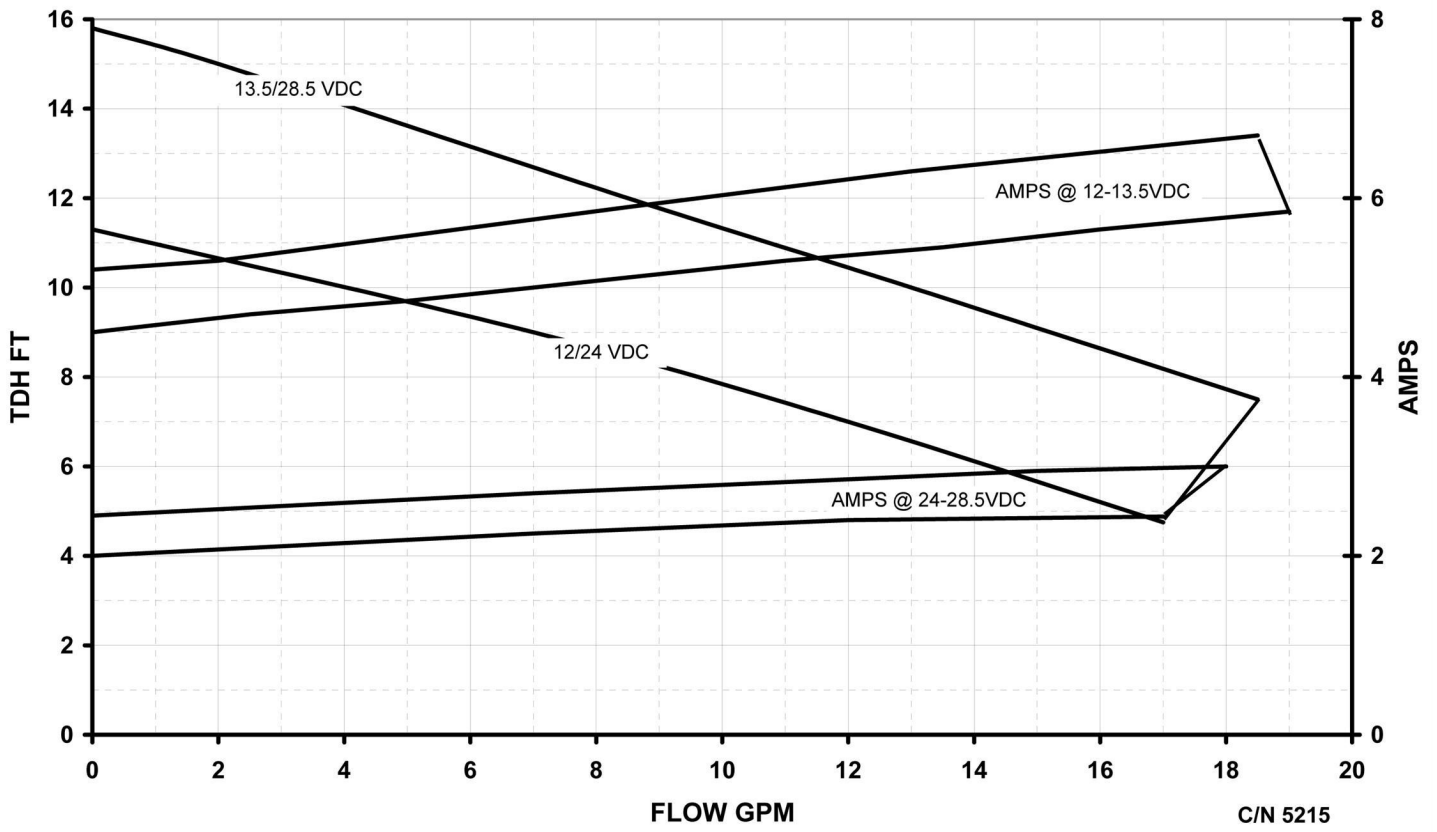
Application

- Agricultural
- Commercial
- Industrial
- Marine
- OEM
- Transportation

Features

- Convenient directional volute port configuration
- Dual 18" long 14 AWG red (positive) black (negative) power leads
- Splash and weather resistant motor enclosure

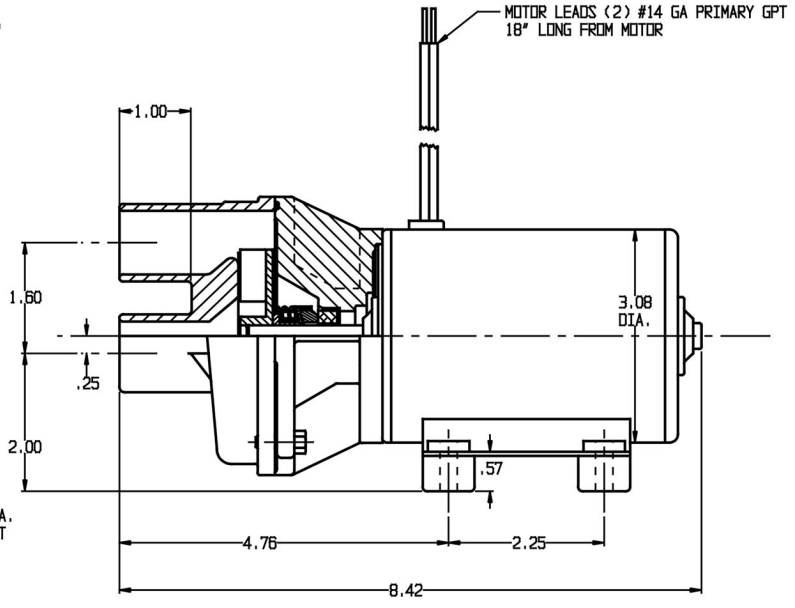
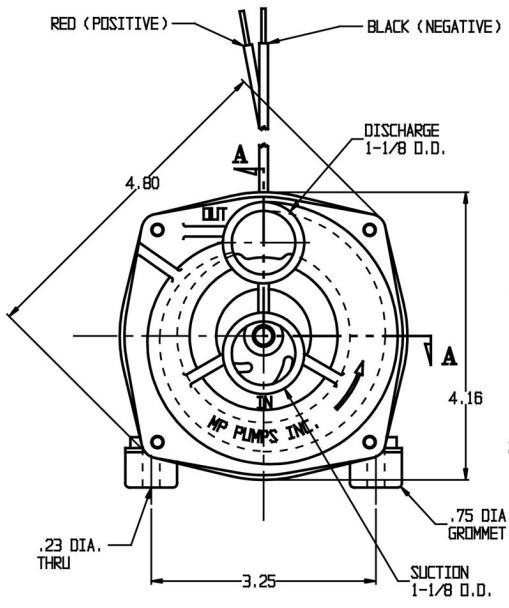
SBX
1.125 HOSE



C/N 5215



28987

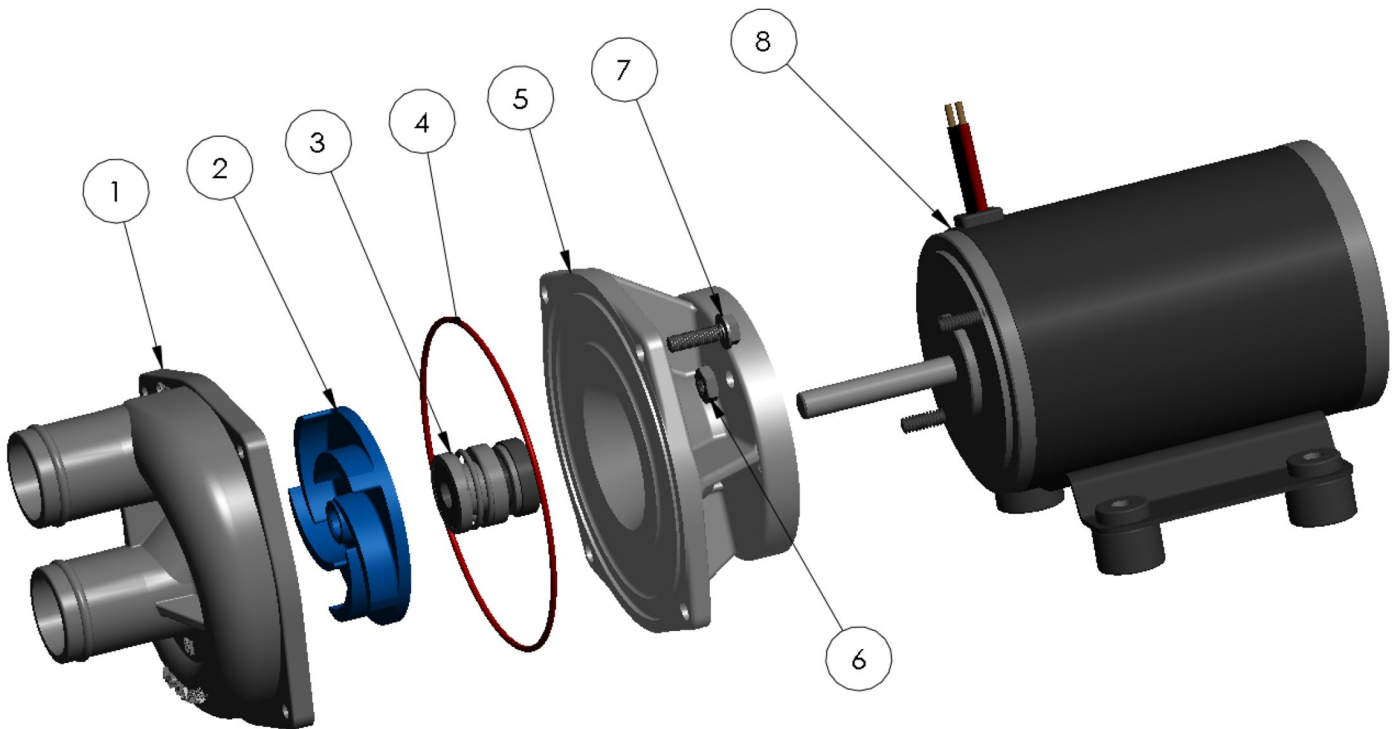


SECTION A-A

P										UNLESS OTHERWISE NOTED: HARD ANGLE PROTECTION 2 PLACES DIA. 1/8" TOL. 3 PLACES DIA. 1/4" TOL. ANGLE 60° ± .015" DO NOT SCALE	MP PUMPS, INC. TECUMSEH PRODUCTS CO. FRASER, MICHIGAN 48026, U.S.A. MATERIAL:	DATE	SCALE	MADE FOR	MADE FROM	
N												BY	DATE	SCALE	MADE FOR	MADE FROM
M																
L																
K																
J																
I																
H																
NAME: CIRCULATOR PUMP 12VDC											DRAWING NO: 28987					



34800 BENNETT - FRASER, MI 48026-1686
 (586) 293-8240 - FAX (586) 293-8469
 (800) 563-8006 - www.mppumps.com



ITEM NO.	PART NO.	DESCRIPTION	QTY.
1	33851	VOLUTE	1
2	21587	IMPELLER 2.50 DIA.	1
*	28984	SEAL ASSY. 7/8" TYPE 16	1
*	28613	O RING - VITON	1
5	28733	ADAPTER	1
6	21543	HEX NUT 10-32	2
7	28834	HEX CAPSCREW 10-32 X 5/8 S. TAP	4
8	28985	EL. MOTOR 12 VDC	1

*- RECOMMENDED REPLACEMENT PARTS