



FMX 100

1" x 1" Self Priming Centrifugal Pump

The patented 1" x 1" FMX100 self-priming centrifugal pump is constructed of 316 SS for superior corrosion resistance and compatibility with most fluid types. A type 6A carbon / ceramic / viton mechanical seal is standard. With a maximum flow of over 55 GPM and pressure capabilities of nearly 60 feet, this rugged self-priming pump is capable of 17 feet suction lift when operating at 3450 RPM.

The FMX 100 has numerous applications in industries such as: construction, petroleum, diesel exhaust fluid, marine and marine air conditioning, agriculture for biocides and liquid fertilizers, and numerous industrial applications such as brine and calcium chloride.

ABS Type Approval for the FMX 100 - [Download PDF](#)

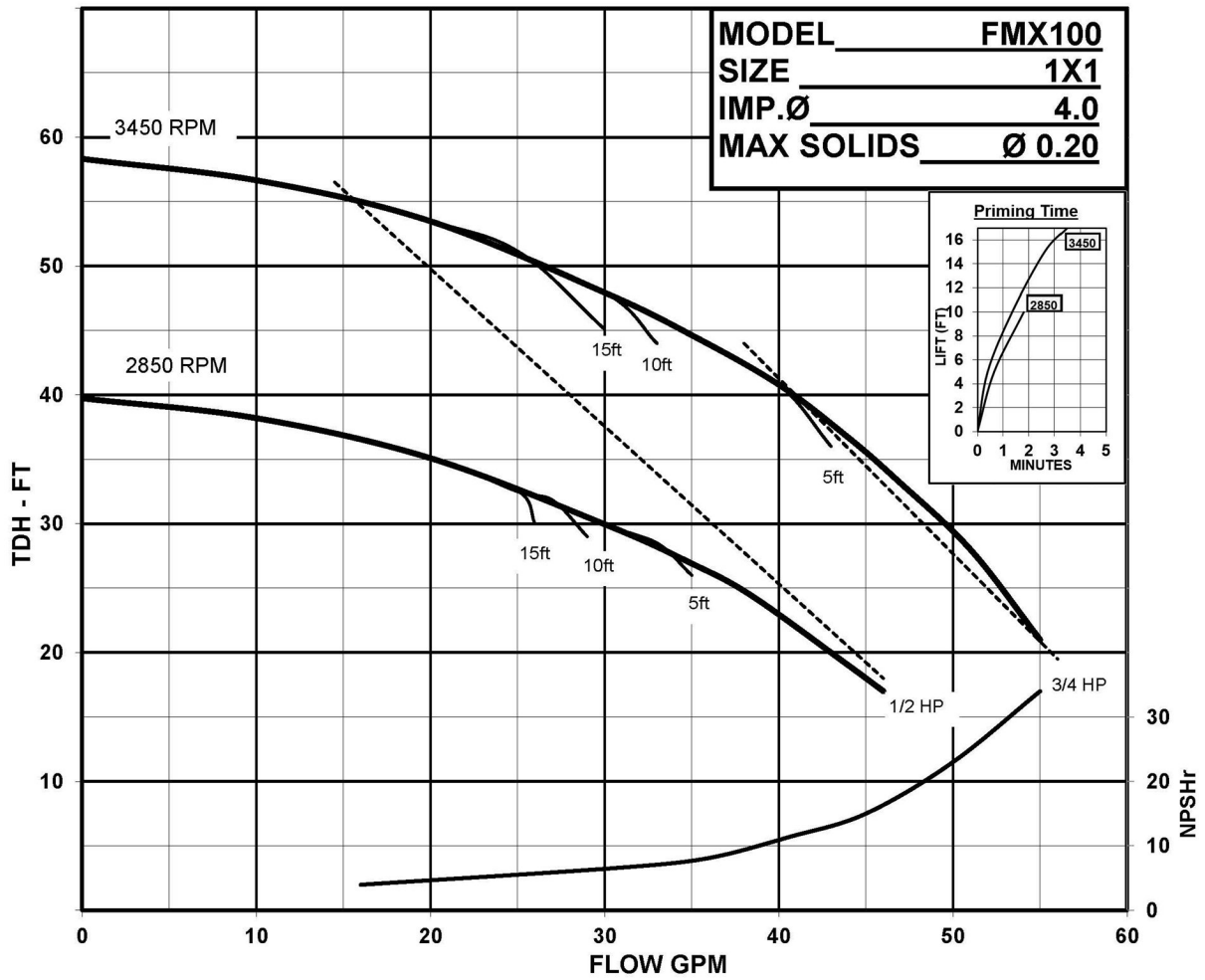


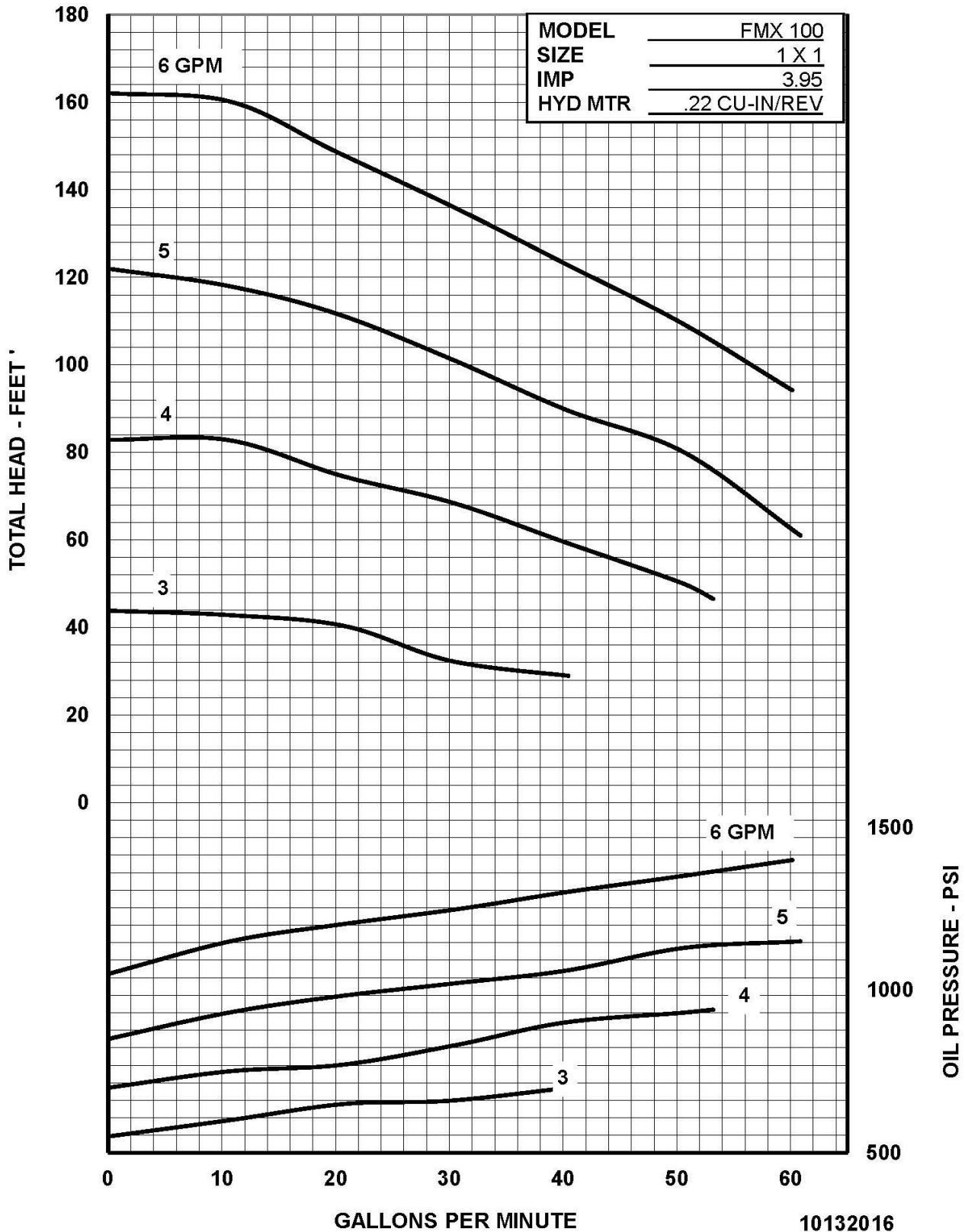
Application

- Agricultural
- Commercial
- Industrial
- Marine

SPECIFICATIONS:

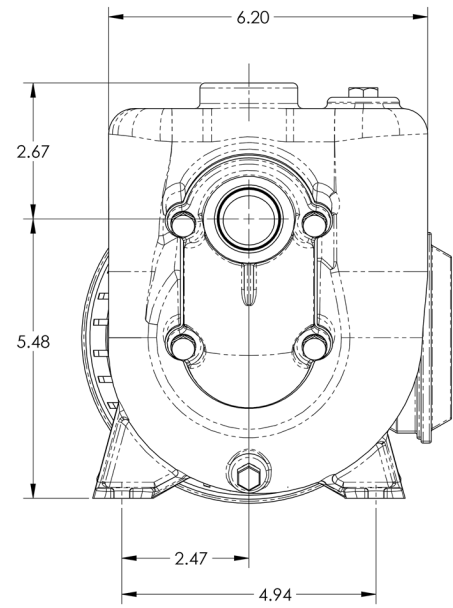
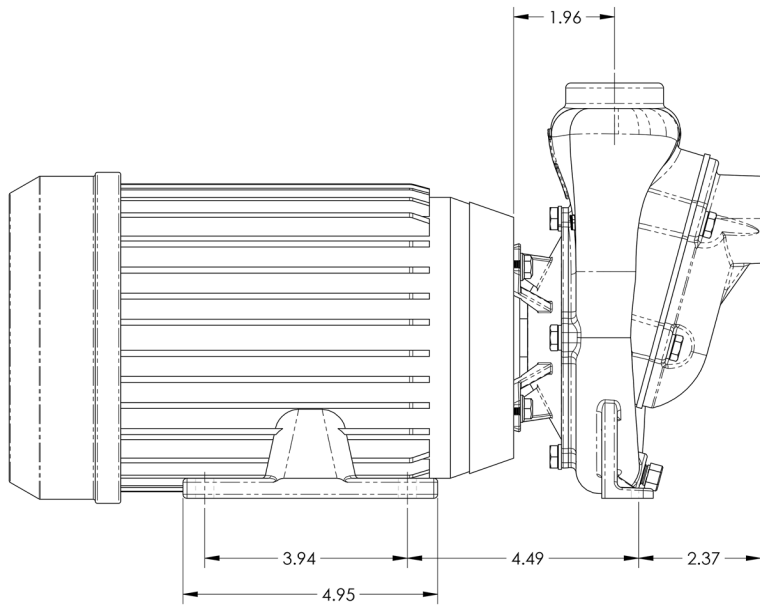
Materials Of Construction	316 stainless steel
Flow	Up to 55 GPM
Head Feet	60'
Impeller	4.0"
Drive Options	Close Coupled 1 HP TEFC IEC80B34 Motor, Close coupled 3/4HP TEFC IEC80B34 Motor, Engine Mount for 5/8" Shaft, Pedestal Hydraulic
Seal	Type 6A carbon/ceramic/viton
Suction	1"
Discharge	1"





DRAWING NO

39467



NOTE: THIS DRAWING OR PRINT, PROPERTY OF MP PUMPS INC., CONTAINS PROPRIETARY AND CONFIDENTIAL INFORMATION. IT SHALL BE USED ONLY AS APPROVED BY MP PUMPS AND SHALL NOT BE GIVEN TO OTHERS OR COPIED WITHOUT THE WRITTEN CONSENT OF MP PUMPS. RETURN TO MP PUMPS PROMPTLY WHEN REQUESTED.

G						UNLESS OTHERWISE NOTED THIRD ANGLE PROJECTION		MP PUMPS, INC. FRASER, MICHIGAN 48026, U.S.A.					
F						2 PLACE DIM $\pm .020$ 3 PLACE DIM $\pm .010$ ANGULAR DIM $\pm 1^\circ$						MATERIAL	
E						DO NOT SCALE		MATERIAL SPECS					
D						DRAWN BY	DATE COMP.	APPROV.	SCALE	MADE FOR	MADE FROM		
C						S.F.	10/15/14	D.D.					
B						NAME						DRAWING NO	
A	ENG. RLS.	SF	4/13/15	JM	FMX100 SS: 3/4-3 IEC80						39467		
REV	DESCRIPTION	DRAWN	DATE	EN									

