



SERIES 120

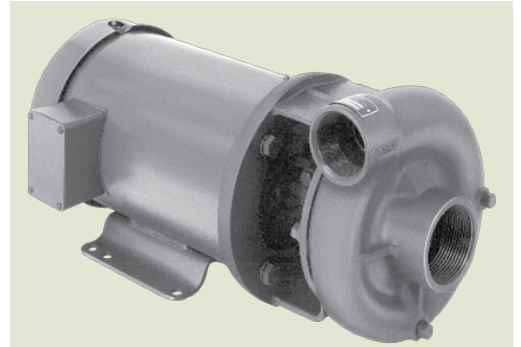
2" x 1-1/2" End Suction Centrifugal Pump

SERIES 120 centrifugal pumps are close-coupled to standard NEMA JM motors. A special adaptor protects the motor. All models are available in cast iron with a bronze impeller.

All fasteners are stainless steel to reduce corrosion. Enclosed impellers are dynamically balanced to improve efficiency and bearing life.

Standard carbon / ceramic / Viton mechanical seal is self-adjusting and corrosion resistant to handle almost any liquid.

Completely tested "Wet End" PumPAKs are available without motors. The MP PumPAK® can be mounted to standard NEMA C frame motors in just minutes.



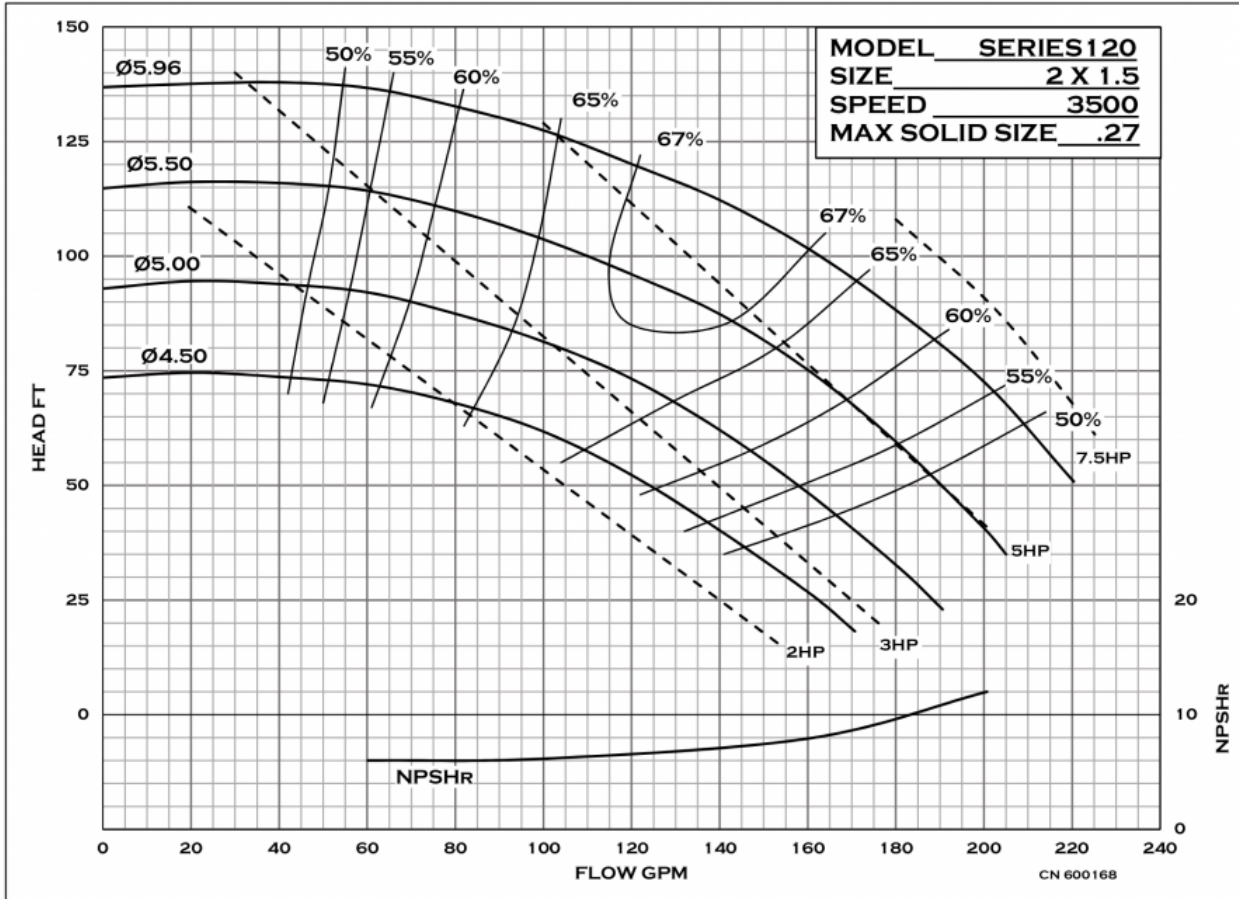
Application

- Agricultural
- Commercial
- Industrial
- OEM

SPECIFICATIONS:

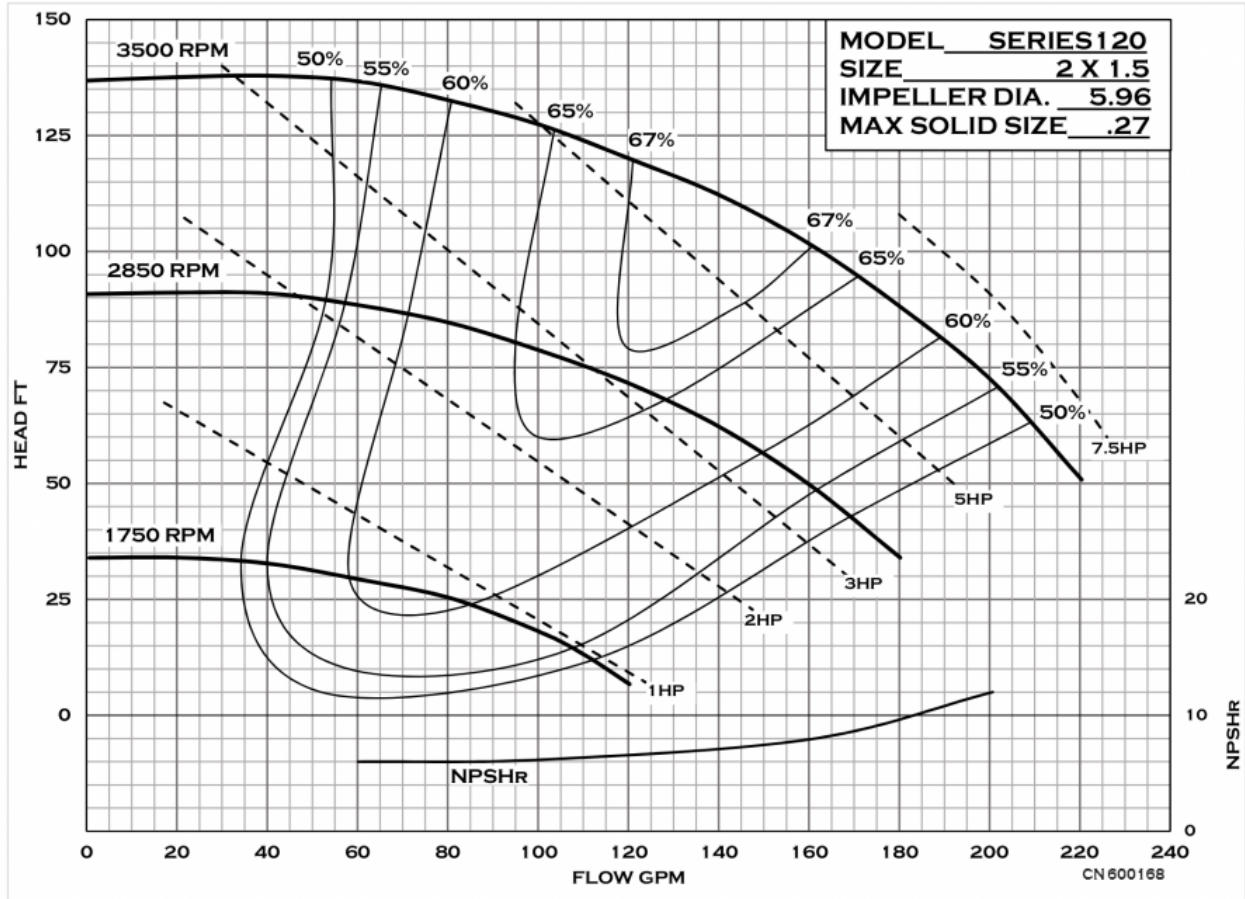
| | |
|---------------------------|---|
| Suction And Discharge | 2" x 1-1/2" NPT |
| Materials Of Construction | Cast iron |
| Flow | Up to 200 GPM |
| Head Feet | Up to 135' |
| Impeller | 6" enclosed cast iron or bronze |
| Motor | Up to 7.5 HP |
| Drive Options | Close coupled 145JM, Close coupled 184JM, Close coupled 184TC, Hydraulic motor .45 cu. in., Hydraulic motor .58 cu. in., Hydraulic motor .73 cu. in., Pedestal, PumPAK® (without motor) |
| Seal | Special seal material combinations available (consult factory), Standard carbon / ceramic / Viton |
| Max Solid Size | .24" |

SERIES 120



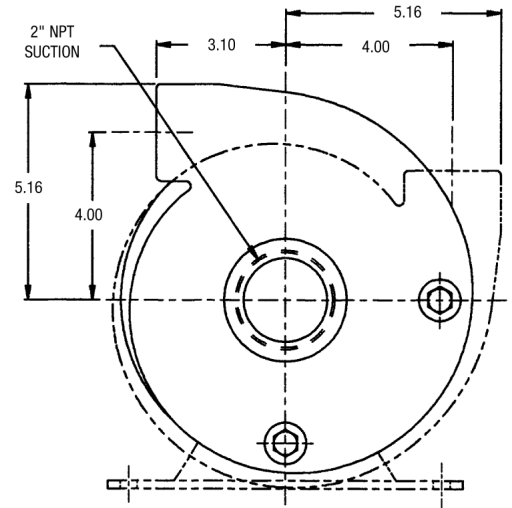
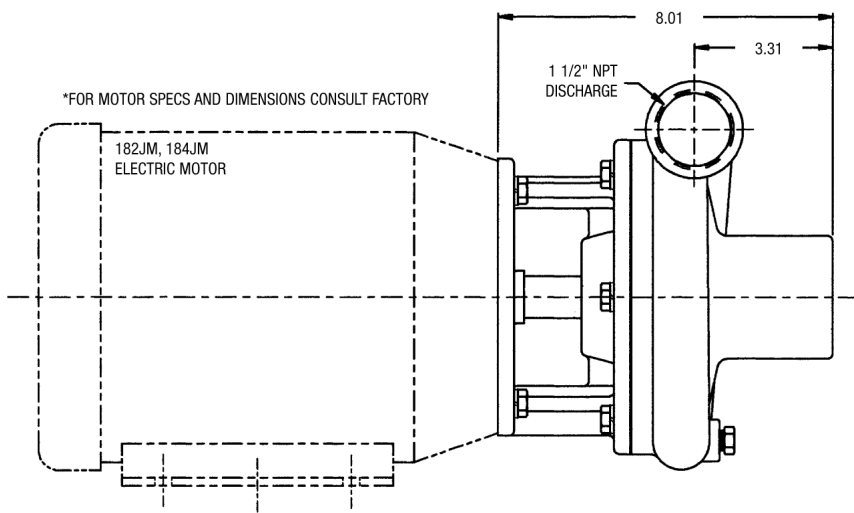
34800 BENNETT - FRASER, MI 48026-1686
 (586) 293-8240 - FAX (586) 293-8469
 (800) 563-8006 - www.mppumps.com

SERIES 120



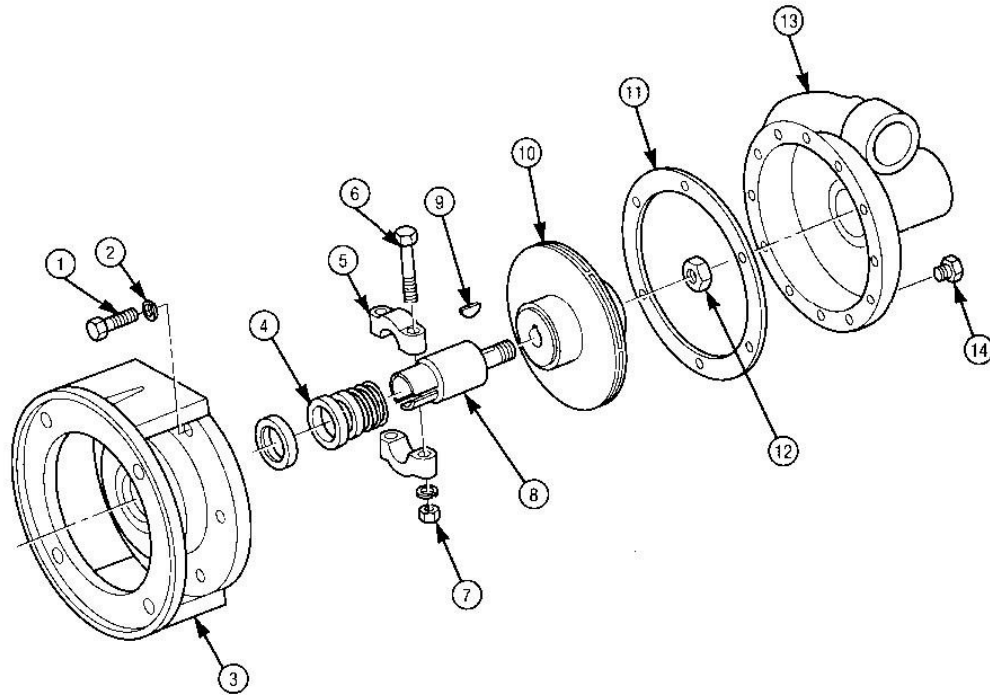
34800 BENNETT - FRASER, MI 48026-1686
 (586) 293-8240 - FAX (586) 293-8469
 (800) 563-8006 - www.mppumps.com

SERIES 120



MP PUMPS SERVICE PARTS LIST

| | | |
|------------------------------------|-------------------|---|
| • End Suction | • Pumpak | SERIES 120 2" x 1 1/2" Pipe Size |
| • Electric Motor Drive 182TC-184TC | • Mechanical Seal | |



| ITEM | PART NO. | DESCRIPTION | QTY. | ITEM | PART NO. | DESCRIPTION | QTY. |
|------|----------|--------------------------------|------|-------|----------------------------------|---------------------------------|------|
| 1 | 21291 | Capscrew — Stainless Steel | 6 | 9 | 21762 | Wpodruff Key Stainless Steel | 1 |
| 2 | 21266 | Lockwasher — Stainless Steel | 8 | 10 | 27027 | Impeller — 6.0 DIA. — Cast Iron | 1 |
| 3 | 22433 | Adaptor — Cast Iron | 1 | 26760 | Impeller — 6.0 DIA. — Bronze N/S | 1 | |
| | 22432 | Adaptor — Bronze N/S | 1 | 11 | 25662 | Gasket | 1 |
| 4 | 22361 | Service Seal | 1 | 12 | 22655 | Hex Jam Nut Stainless Steel | 1 |
| 5 | 22356 | Clamp | 2 | 13 | 26587 | Housing — Ductile Iron | 1 |
| 6 | 21269 | Capscrew — Stainless Steel | 2 | 26612 | Housing — Bronze N/S | 1 | |
| 7 | 21268 | Hexnut — Stainless Steel | 2 | 14 | 21585 | Pipe Plug 1/8 N.P.T. | 2 |
| 8 | 22679 | Drive Sleeve — Stainless Steel | 1 | 15 | 27666 | Shim Steel — (28GA.) N/S | 1 |

MP PUMPS, INC.
 TECUMSEH PRODUCTS COMPANY
 34800 BENNETT DRIVE • FRASER, MI 48026-1686
 (810) 293-8240 • FAX (810) 293-8469
 800 563 8006

FORM 3045

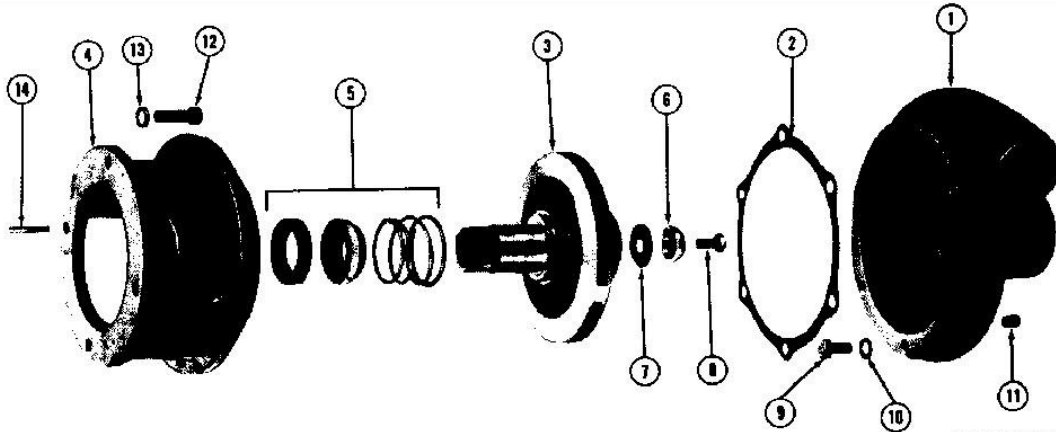
PRINTED IN U.S.A. (1-97)

MP PUMPS SERVICE PARTS LIST

- Straight Centrifugal
- Electric Motor Drive

- JM Type Motor
- Mechanical Seal

Series 120
2" x 1½" Pipe Size



Centrifugal Pumpak

IMPORTANT: When ordering parts, specify **MODEL** and **SERIAL NUMBER** shown on nameplate.
N/S means "not shown" in exploded view of parts.

| ITEM | PART NO. | DESCRIPTION | QUANTITY REQUIRED PER MODEL | | |
|------|----------|-------------|-----------------------------|-----------|--------|
| | | | METAL | CAST IRON | BRONZE |
| | | | SERIES 120 | 26593 | 26613 |
| | | | MODEL NO. | 26595 | 26982 |

| | | | | | |
|-----|-------|--|--|---|---|
| 1 | 26647 | Housing Assy. - Cast Iron - Inc: Housing - Cast Iron | | 1 | |
| 9 | 25663 | Capscrew - S.S. Adaptor to Housing 3/8" | | 6 | |
| 10 | 21266 | Lockwasher S.S. 3/8" (Note: Drain plug not included) | | 6 | |
| 2 | 25662 | Gasket, Housing to Adaptor .032 | | 1 | |
| 11 | 21255 | Drain Plug S.S. 1/8" NPT | | 2 | |
| 8 | 26589 | Seelbolt S.S. 3/8" - 16 x 1" | | 1 | |
| 1 | 26966 | Housing Assy. - Bronze - Inc: Housing - Bronze | | | 1 |
| 9 | 25663 | Capscrew - S.S. Adaptor to Housing 3/8" | | | 6 |
| 10 | 21266 | Lockwasher S.S. 3/8" (Note: Drain plug not included) | | | 6 |
| 2 | 25662 | Gasket, Housing to Adaptor .032 | | | 1 |
| 11 | 21185 | Drain Plug - Bronze | | | 2 |
| 8 | 26589 | Seelbolt S.S. 3/8" - 16 x 1" | | | 1 |
| 6 | 26590 | Sealwasher - Impeller | | 1 | 1 |
| 7 | 26591 | Gasket - Impeller sealing Teflon | | 1 | 1 |
| 3 | 26594 | Impeller - Enclosed - Bronze 5.0" (For Model 26595 and 26982) | | 1 | |
| 3 | 26585 | Impeller - Enclosed - Bronze 5.9" (For Model 26593 and 26613) | | 1 | 1 |
| 5 | 22361 | Seal Assembly 1-1/2" | | 1 | 1 |
| 4 | 26583 | Adaptor - Cast Iron | | 1 | |
| 4 | 26611 | Adaptor - Bronze | | | 1 |
| 12 | 21291 | Capscrew S.S. 3/8" - 16 x 1-1/8" | | 4 | 4 |
| 13 | 21266 | Lockwasher S.S. 3/8" | | 4 | 4 |
| 14 | 26588 | Square Key - Drive Shaft .188 | | 1 | 1 |
| N/S | 26592 | Slinger - Impeller Shaft | | 1 | 1 |

N/S - Not Shown

MP PUMPS, INC.
TECUMSEH PRODUCTS COMPANY
34800 BENNETT DRIVE • FRASER, MI 48026-1694
(313) 293-8240 TLX 358-238 FAX (313) 293-8469

FORM 7066-B

PRINTED IN U.S.A

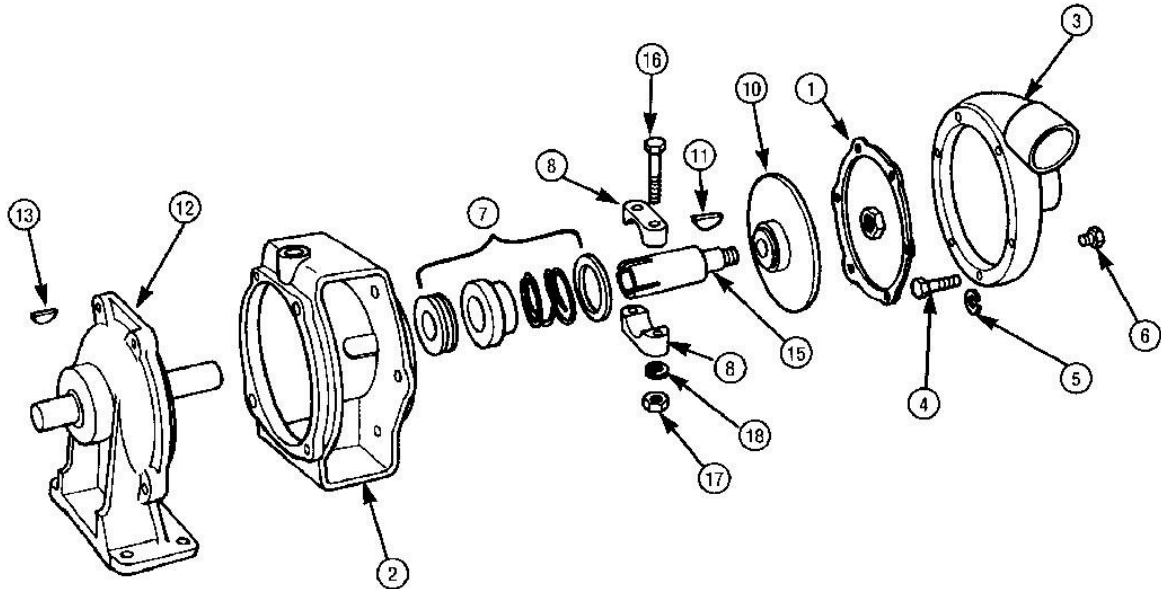


34800 BENNETT - FRASER, MI 48026-1686
(586) 293-8240 - FAX (586) 293-8469
(800) 563-8006 - www.mppumps.com

MP PUMPS SERVICE PARTS LIST

- Pedestal Mount Centrifugal
- Belt or Direct Drive
- Mechanical Seal

SERIES 120 2" x 1 1/2" Pipe Size



IMPORTANT: When ordering parts, specify model and serial number shown on nameplate.

| ITEM | PART NO. | DESCRIPTION | QUANTITY REQUIRED PER MODEL | | |
|------|----------|-------------|-----------------------------|----------------------------------|-------------|
| | | | ROTATION | ALL MODELS LISTED ARE RIGHT HAND | |
| | | | PIPE SIZE | 2" x 1-1/2" | 2" x 1-1/2" |
| | | | METAL | CAST IRON | BRONZE |

HOUSING

| | | | | |
|---|-------|---|---|---|
| 3 | 26647 | Housing Assembly — Cast Iron Included: Housing — Cast Iron | 1 | |
| 4 | 25663 | Capscrew — S.S. 3/8" — 16" x 3/4" | 6 | |
| 5 | 21266 | Lockwasher — S.S. 3/8" x 1/8" | 6 | |
| 6 | 21255 | Pipe Plug — S.S. 1/8" | 2 | |
| 1 | 25662 | Gasket, Housing | 1 | |
| 3 | 26966 | Housing Assembly — Bronze Included: Housing — Bronze | | 1 |
| 4 | 25663 | Capscrew | | 6 |
| 5 | 21266 | Lockwasher — S.S. — 3/8" x 1/8" | | 6 |
| 6 | 21185 | Pipe Plug | | 2 |
| 1 | 25662 | Gasket, Housing | | 1 |



MP PUMPS, INC.
 TECUMSEH PRODUCTS COMPANY
 34800 BENNETT DRIVE • FRASER, MI 48026-1686
 (810) 293-8240 • FAX (810) 293-8469

FORM 7085-B

PRINTED IN U.S.A. (9-95)

| ITEM | PART NO. | DESCRIPTION | QUANTITY REQUIRED PER MODEL | | |
|------|----------|-------------|-----------------------------|----------------------------------|-------------|
| | | | ROTATION | ALL MODELS LISTED ARE RIGHT HAND | |
| | | | PIPE SIZE | 2" x 1-1/2" | 2" x 1-1/2" |
| | | | METAL | CAST IRON | BRONZE |

IMPELLER

| | | | | |
|----|-------|------------------------------|---|---|
| 10 | 26760 | Impeller — 5.9" — Bronze | 1 | 1 |
| 10 | 26762 | Impeller — 5.0" — Bronze | 1 | 1 |
| 10 | 27027 | Impeller — 5.9" — Cast Iron | 1 | 1 |
| 10 | 27501 | Impeller — 5.25" — Cast Iron | 1 | 1 |
| 10 | 27212 | Impeller — 5.0" — Cast Iron | 1 | 1 |
| 15 | 22700 | Drive Sleeve — S.S. — 1" | 1 | 1 |
| 9 | 22655 | Locknut — S.S. — 5/8" | 1 | 1 |
| 11 | 21762 | Woodruff Key #8 | 1 | 1 |

CLAMP

| | | | | |
|----|-------|--------------------------------|---|---|
| 8 | 23039 | Impeller Clamp Assembly — Inc. | 1 | 1 |
| 8 | | Clamp | 2 | 2 |
| 18 | 21266 | Lockwasher — S.S. — 3/8" | 2 | 2 |
| 16 | 21269 | Capscrew — S.S. — 3/8" | 2 | 2 |
| 17 | 21268 | Hex Nut — S.S. — 3/8" | 2 | 2 |

SEAL

| | | | | |
|---|-------|---------------------------------|---|---|
| 7 | 22361 | Seal Assembly — Self Lubricated | 1 | 1 |
|---|-------|---------------------------------|---|---|

ADAPTOR

| | | | | |
|---|-------|---------------------|---|---|
| 2 | 22348 | Adaptor — Cast Iron | 1 | 1 |
| 2 | 22347 | Adaptor — Bronze | | |

PEDESTAL ASSEMBLY

| | | | | |
|-----|-------|---------------------------------|---|---|
| 12 | 26164 | Pedestal Assembly — Inc. | | |
| N/S | 26161 | Pedestal Body — Cast Iron | 1 | 1 |
| 13, | 22425 | Woodruff Key #15 | 1 | 1 |
| N/S | 26162 | Shaft | 1 | 1 |
| N/S | 22035 | Snap Ring | 1 | 1 |
| N/S | 25474 | Ball Bearing | 2 | 2 |
| N/S | 21259 | Capscrew — S.S. — 1-3/8" x 3/8" | 4 | 4 |
| N/S | 21266 | Lockwasher — S.S. — 3/8" | 4 | 4 |

N/S — Not Shown



FORM 7085-B

PRINTED IN U.S.A. (9-95)



34800 BENNETT - FRASER, MI 48026-1686
 (586) 293-8240 - FAX (586) 293-8469
 (800) 563-8006 - www.mppumps.com