



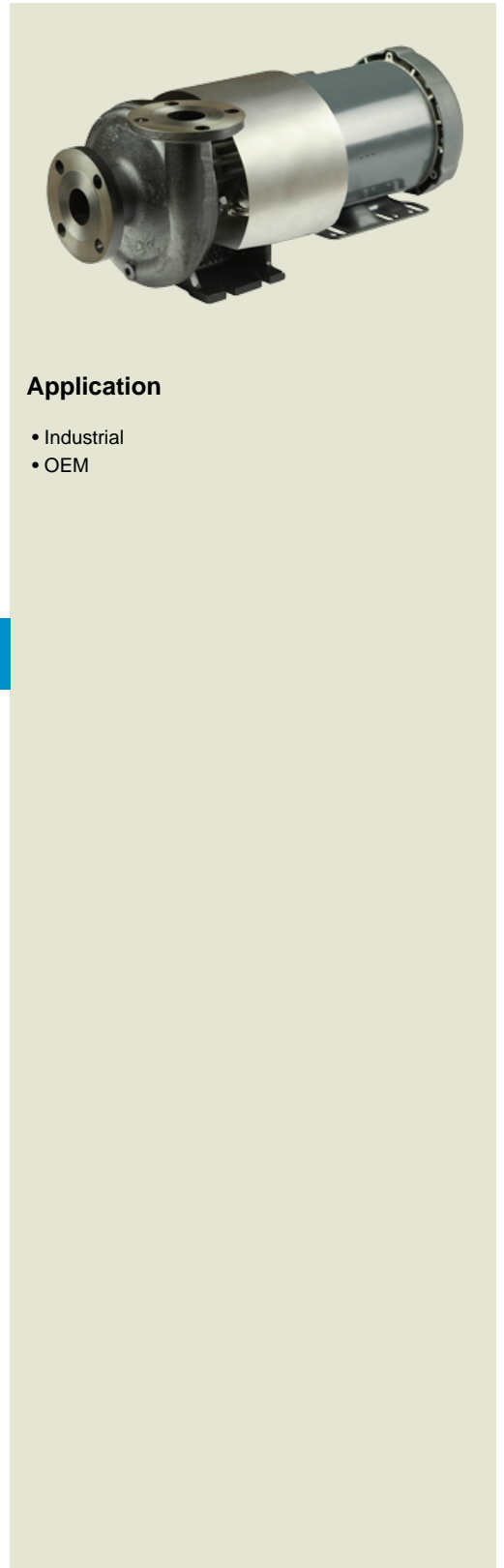
# HTW 120

## 2" x 1-1/2" End Suction Centrifugal Hot Water Pump

HTW 120 is a patented, unique centrifugal pump specifically designed for high temperature process manufacturing applications using hot water, ethylene glycol, propylene glycol and triethylene glycol. The Tempuflo HTW Series utilizes an isolated seal chamber, which is effectively cooled by both a cooling loop (heat exchanger) and by a fan clamp which couples the unit to the shaft of a standard NEMA C Face frame motor.

The isolator technology combined with the heat exchanger allows the seal cavity to reach a maximum and seal chamber temperature of 170°F (77°C) while the process temperature is at 400°F (204°C). This lower seal temperature greatly increases seal life, which means less down time for the end user.

Discharge port location can be provided as either Horizontal or Vertical position.

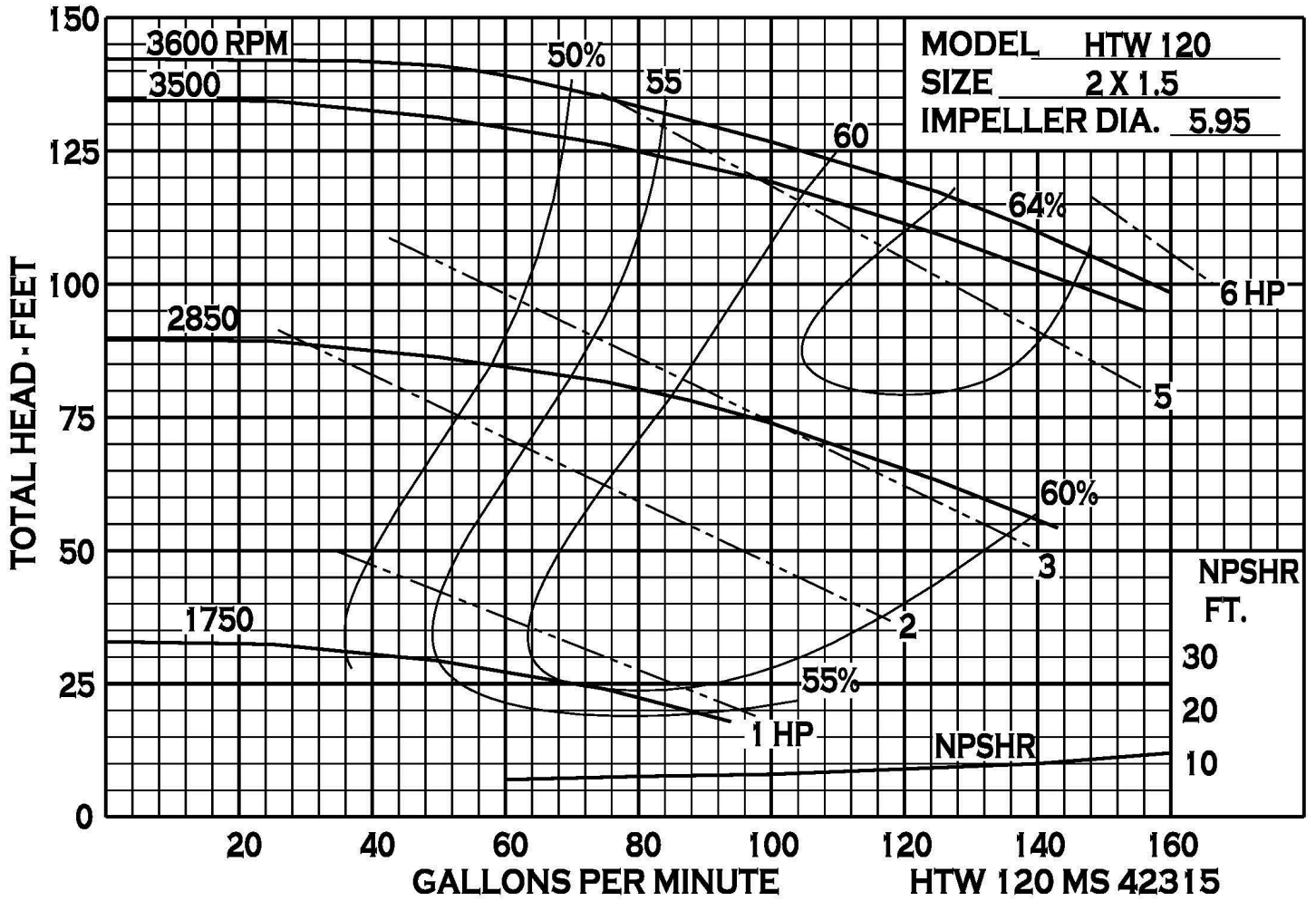


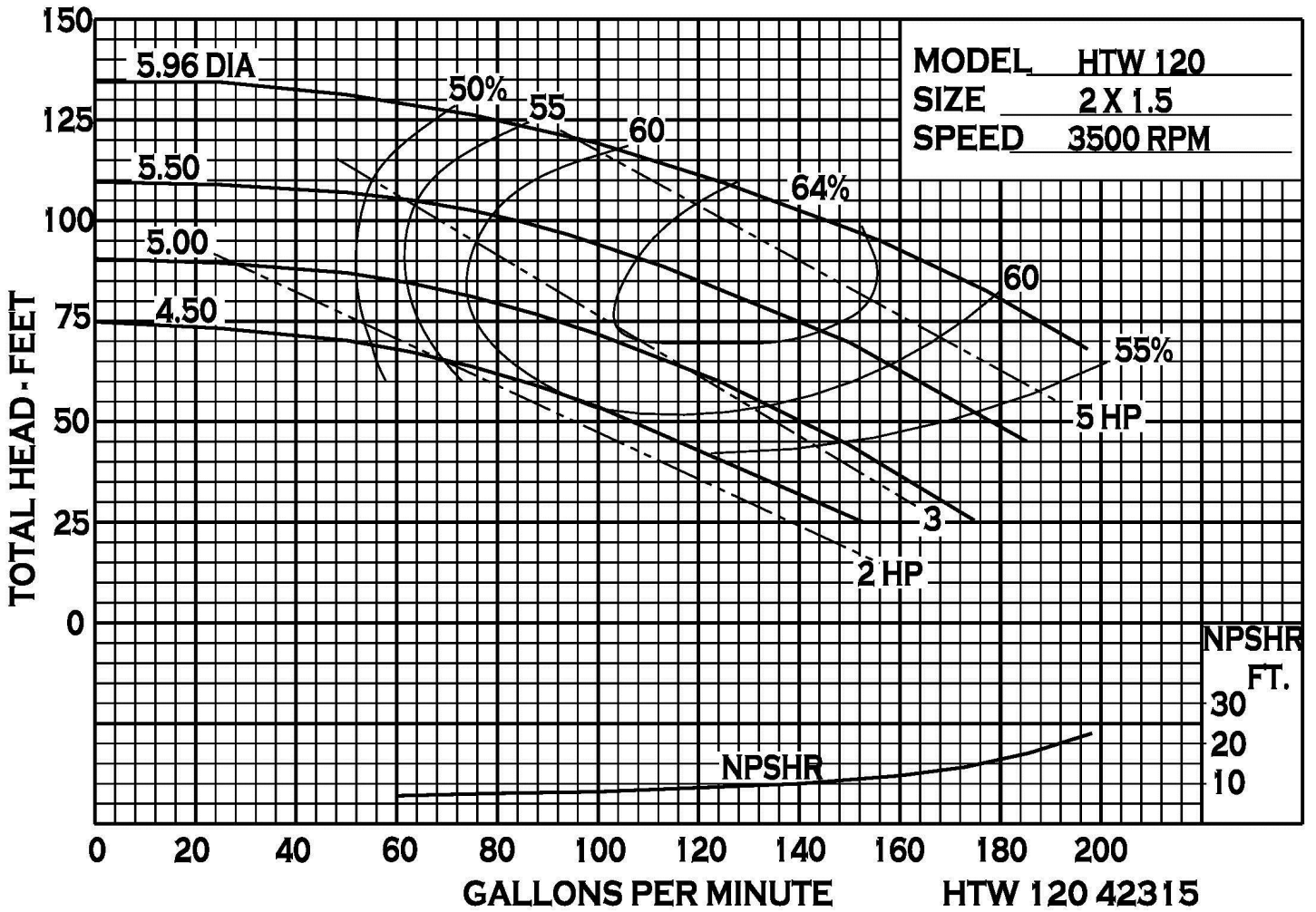
### Application

- Industrial
- OEM

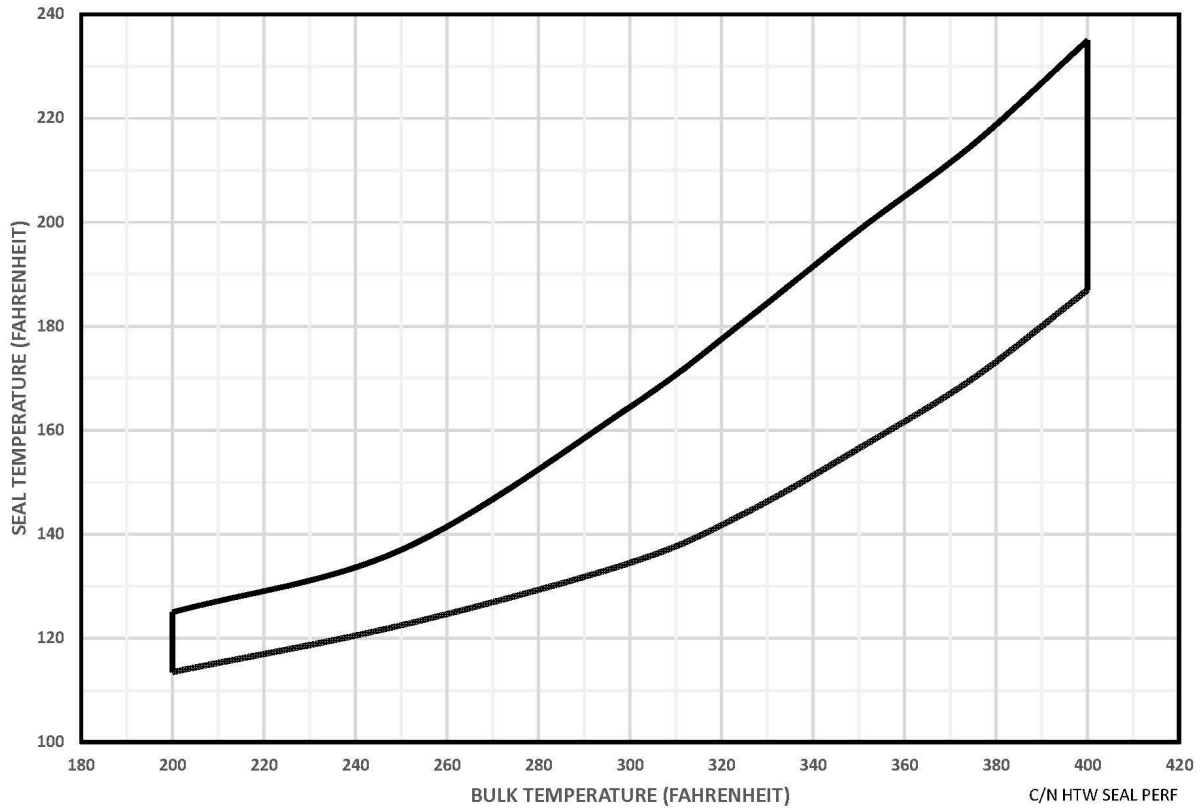
## SPECIFICATIONS:

Suction And Discharge	2" x 1-1/2" NPT or 150# flat flange
Materials Of Construction	Ductile iron
Flow	Up to 200 GPM
Head Feet	Up to 135'
Impeller	5.06" Cast iron, enclosed
Motor	Up to 5 HP
Drive Options	Close coupled 145TC, Close coupled 184C, Pedestal, PumPAK® (without motor)
Seal	Carbon / silicon carbide / Viton

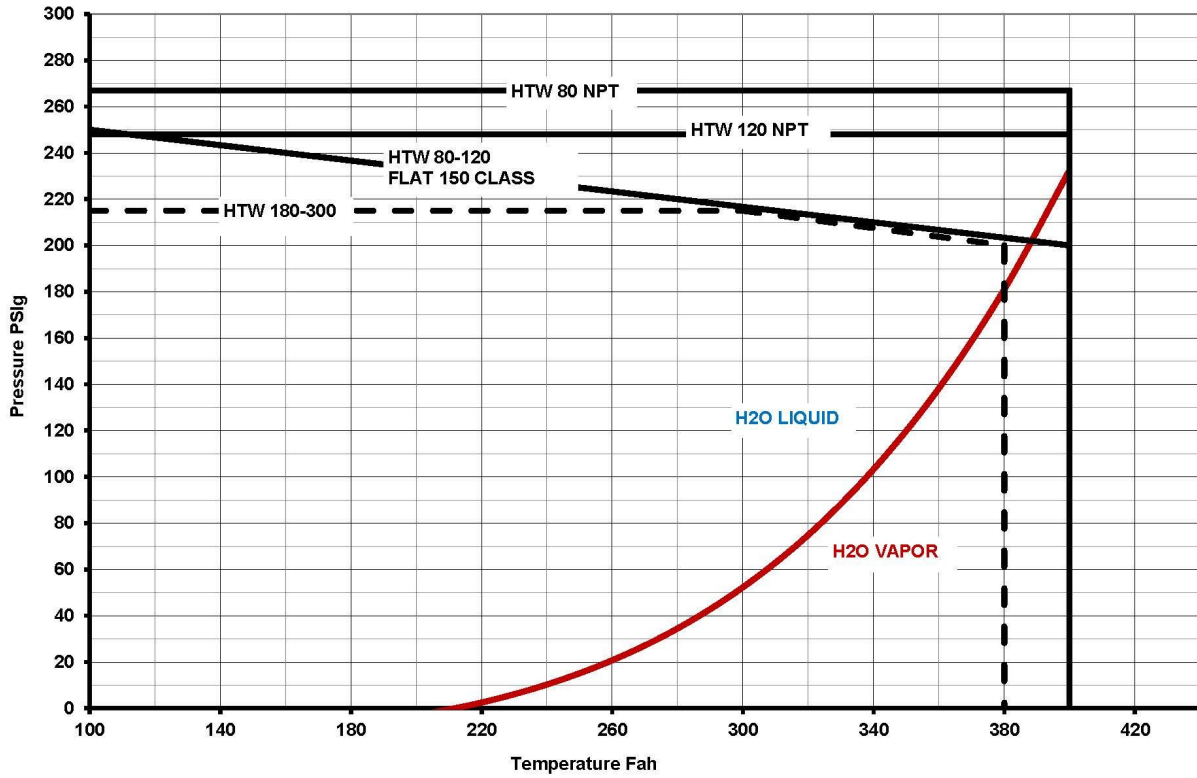




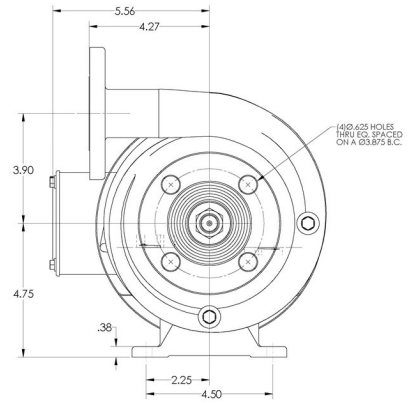
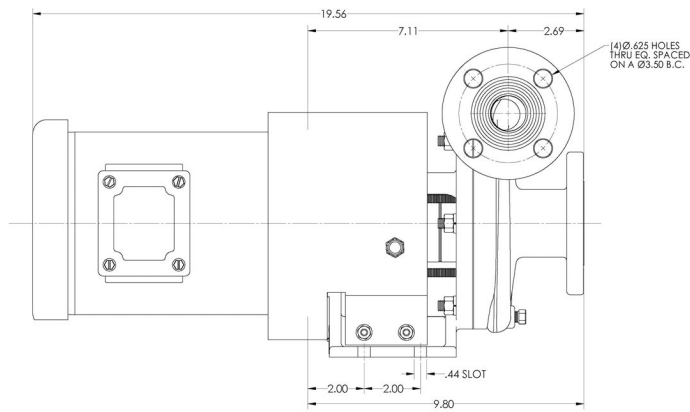
HTW SEAL COOLING PERFORMANCE



## HTW Pressure Temperature Limits



36629



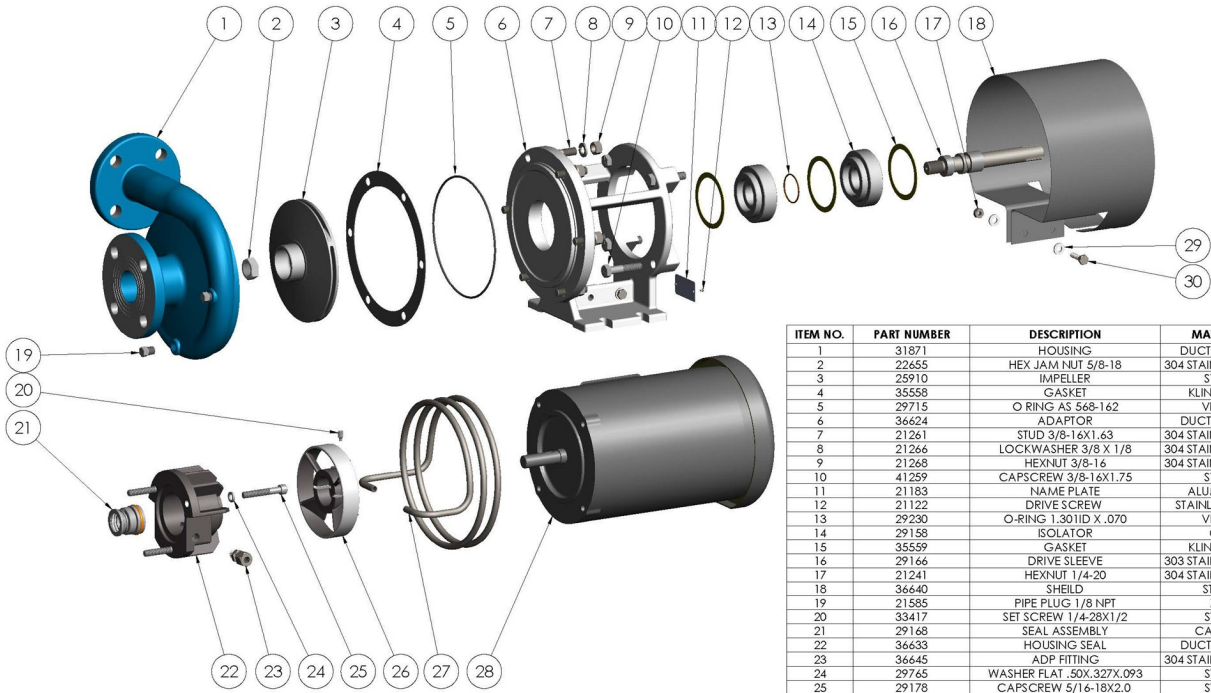
NOTE: ALL DIMENSIONS UNLESS OTHERWISE SPECIFIED ARE TO BE MAINTAINED TO ±.005 TOLERANCE. DIMENSIONS ARE TO BE MAINTAINED TO ±.005 TOLERANCE. DIMENSIONS ARE TO BE MAINTAINED TO ±.005 TOLERANCE. DIMENSIONS ARE TO BE MAINTAINED TO ±.005 TOLERANCE.

G											UNLESS OTHERWISE NOTED THIS DRAWING PRODUCTION									<b>MP PUMPS, INC.</b>
F											TYPICAL DIM. ± .005									FRASER, MICHIGAN 48026 U.S.A.
E											STANDARD DIM. ± .010									
D											STANDARD DIM. ± .015									
C											DO NOT SCALE									
B																				
A	ENG. RLS.	SF	4/27/15	JM							SCALE	SP	100%/14	DD						36629



34800 BENNETT - FRASER, MI 48026-1686  
(586) 293-8240 - FAX (586) 293-8469  
(800) 563-8006 - www.mppumps.com

36629



ITEM NO.	PART NUMBER	DESCRIPTION	MATERIAL	QTY.
1	31871	HOUSING	DUCTILE IRON	1
2	22655	HEX JAM NUT 5/8-18	304 STAINLESS STEEL	1
3	25910	IMPELLER	STEEL	1
4	35558	GASKET	KLINGERSIL	1
5	29715	O RING AS 568-162	VITON	1
6	36624	ADAPTOR	DUCTILE IRON	1
7	21261	STUD 3/8-16X1.63	304 STAINLESS STEEL	6
8	21266	LOCKWASHER 3/8 X 1/8	304 STAINLESS STEEL	6
9	21268	HEXNUT 3/8-16	304 STAINLESS STEEL	6
10	41259	CAPSCREW 3/8-16X1.75	STEEL	4
11	21183	NAME PLATE	ALUMINIUM	1
12	21122	DRIVE SCREW	STAINLESS STEEL	2
13	29230	O-RING 1.301ID X .070	VITON	1
14	29158	ISOLATOR	CCS	2
15	35559	GASKET	KLINGERSIL	3
16	29166	DRIVE SLEEVE	303 STAINLESS STEEL	1
17	21241	HEXNUT 1/4-20	304 STAINLESS STEEL	2
18	36640	SHEILD	STEEL	1
19	21585	PIPE PLUG 1/8 NPT	ZPS	2
20	33417	SET SCREW 1/4-28X1/2	STEEL	1
21	29168	SEAL ASSEMBLY	CAR/FSC	1
22	36633	HOUSING SEAL	DUCTILE IRON	1
23	36645	ADP FITTING	304 STAINLESS STEEL	2
24	29765	WASHER FLAT .50X.327X.093	STEEL	3
25	29178	CAPSCREW 5/16-18X2.0	STEEL	3
26	29164	CLAMP FAN	DUCTILE IRON	1
27	36641	HE COIL	304 STAINLESS STEEL	1
28	26197	ELECTRIC MOTOR 3HP, 3PH, 56C	STD.	1
29	27261	WASHER	STEEL	4
30	33563	CAPSCREW 1/4-20X1	304 STAINLESS STEEL	2

NOTE: THE DRAWING OR PART NUMBER IS NOT TO BE USED AS A SUBSTITUTE FOR THE ORIGINAL MANUFACTURER'S DRAWING OR PART NUMBER. THE ORIGINAL MANUFACTURER'S DRAWING OR PART NUMBER IS THE AUTHORITY FOR THE IDENTIFICATION OF THE PART. THE ORIGINAL MANUFACTURER'S DRAWING OR PART NUMBER IS THE AUTHORITY FOR THE IDENTIFICATION OF THE PART.

DATE	REV.	BY	CHKD.	APP'D.	DATE	REV.	BY	CHKD.	APP'D.	DATE
MP PUMPS, INC. FRASER, MICHIGAN 48068-1686						MATERIAL: 304 STAINLESS STEEL FINISH: DD WEIGHT: 10.00 LBS VOLUME: 0.00 CU FT				
DO NOT SCALE HTW80PMP D-3-3 56C 5.9 T-21 FF HD 36629										



34800 BENNETT - FRASER, MI 48026-1686  
 (586) 293-8240 - FAX (586) 293-8469  
 (800) 563-8006 - www.mppumps.com