



# HHLF HYDRAULIC

## 1-1/2" or 2" x 1-1/2" or 2" High Head Low Flow Self Priming Centrifugal Pump

HHLF "HR" high pressure self-priming centrifugal pumps meet USCG specifications for auxiliary fire control.

The high suction centerline and impeller design eliminates premature priming loss while ensuring consistent priming capability. The HHLF pump is capable of achieving up to 25 feet suction lift.

The volute and impeller are removable and easily replaced.

### SPECIFICATIONS:

Suction And Discharge	1-1/2" x 1-1/2" NPT, 2" x 2" NPT
Materials Of Construction	Bronze, Cast iron
Flow	Up to 180 GPM
Head Feet	Up to 300'
Impeller	6.7" cast iron Class 30 or silicon bronze CA 875
Drive Options	Hydraulic motor .73 cu. in.
Seal	Special seal material combinations available (consult factory), Standard carbon / ceramic / Viton
Adaptor	Cast Iron Class 30 or Silicon Bronze CA 875
Abs Type Approved	Yes
46 Cfr Compliant	Yes

#### Application

- Agricultural
- Commercial
- Industrial
- Marine
- OEM

#### Drive Sleeve

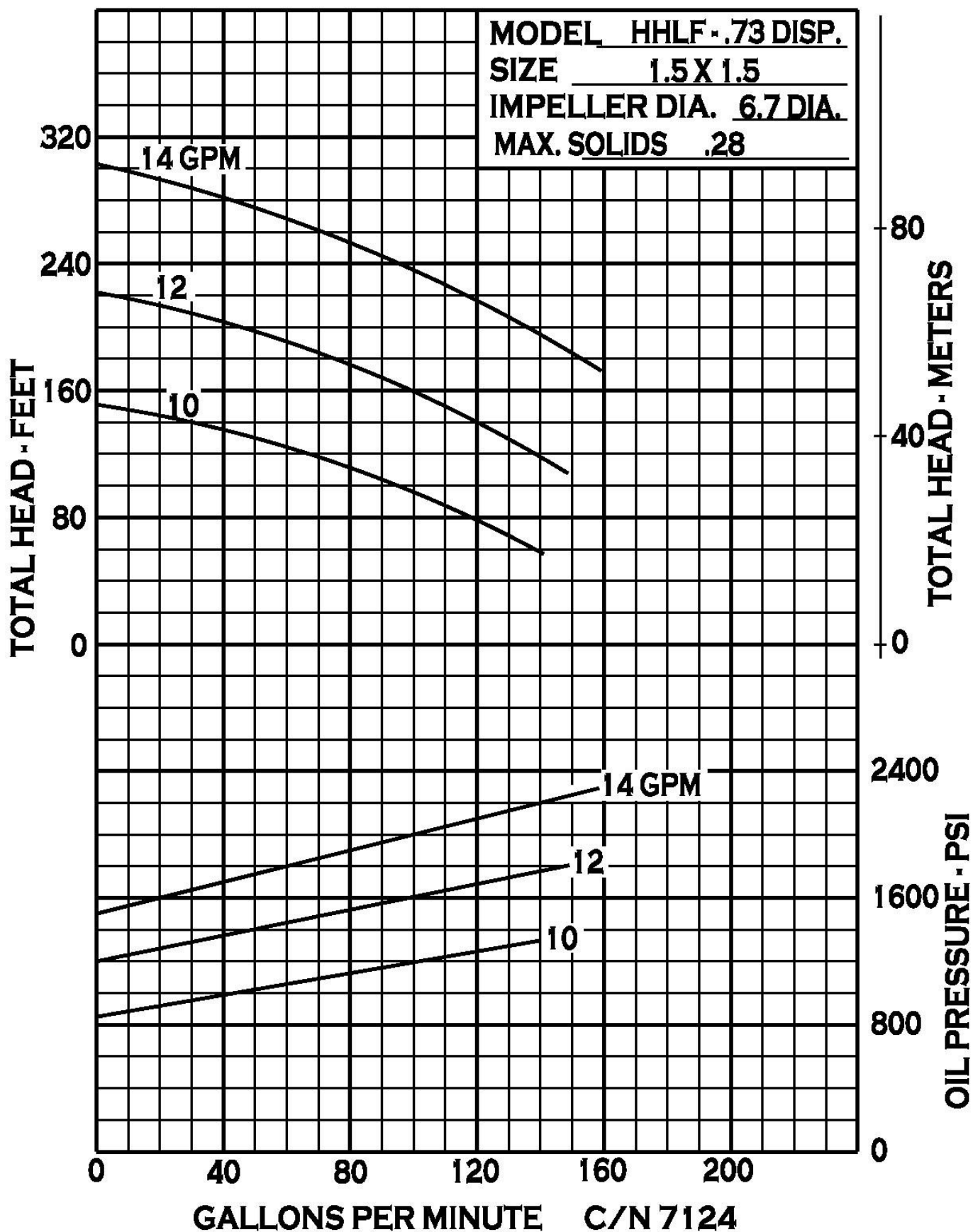
- 304 Stainless Steel

#### Features

- 46 CFR Compliant
- ABS Type Approved

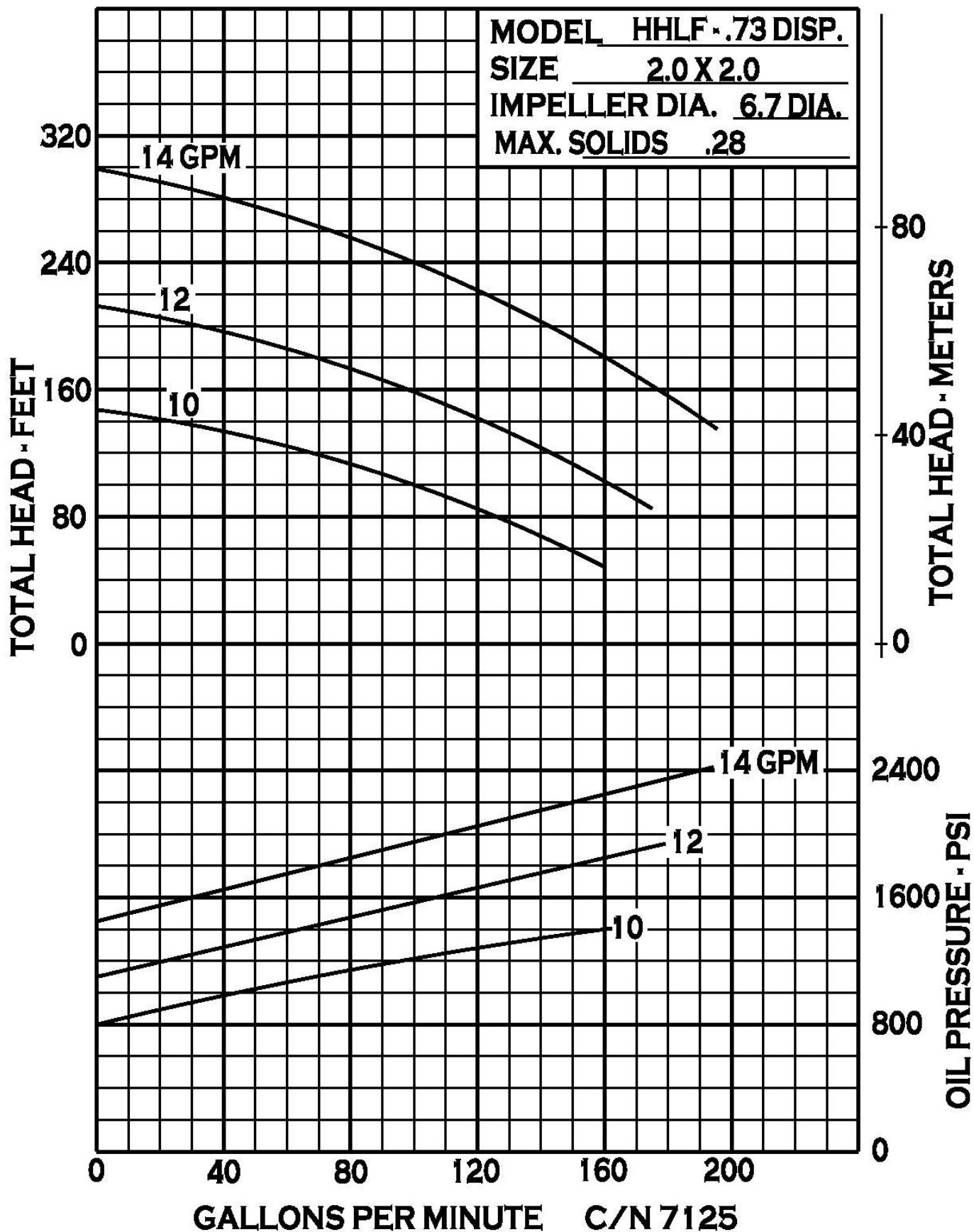
CUBIC METERS PER HOUR

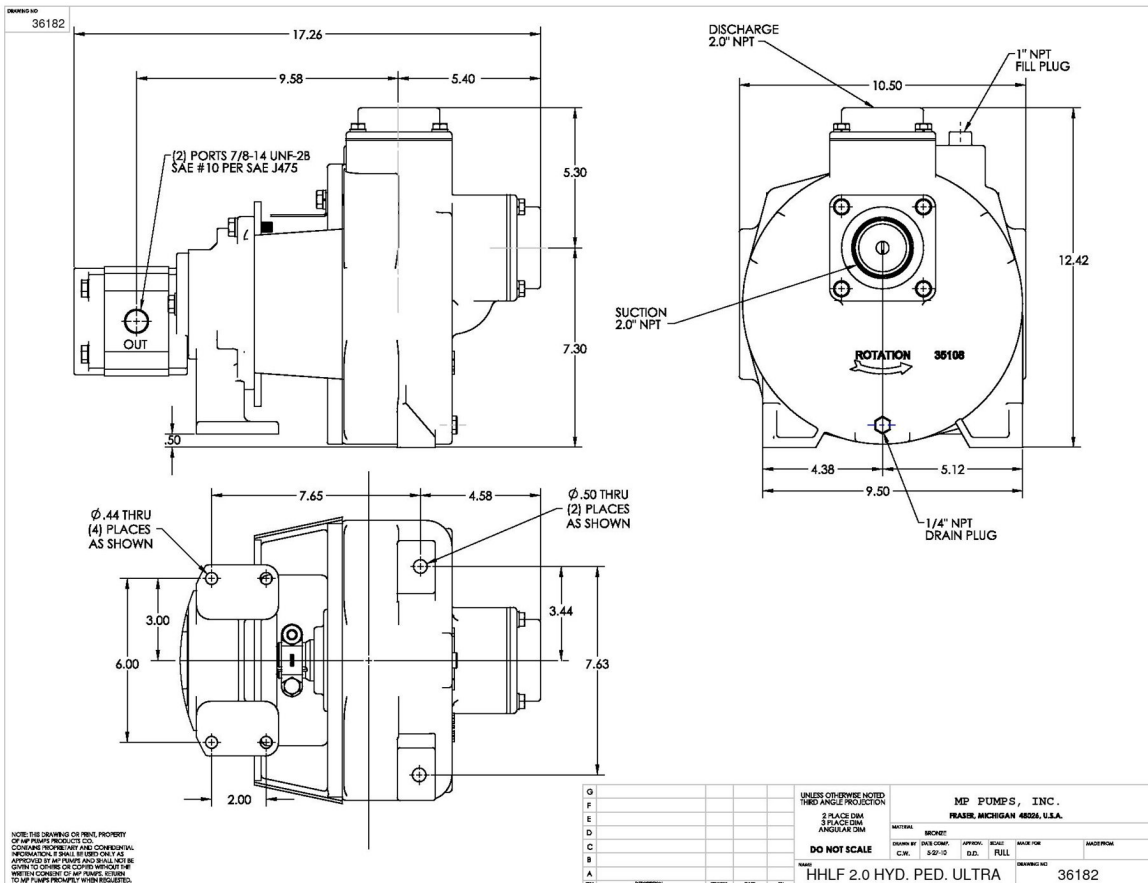
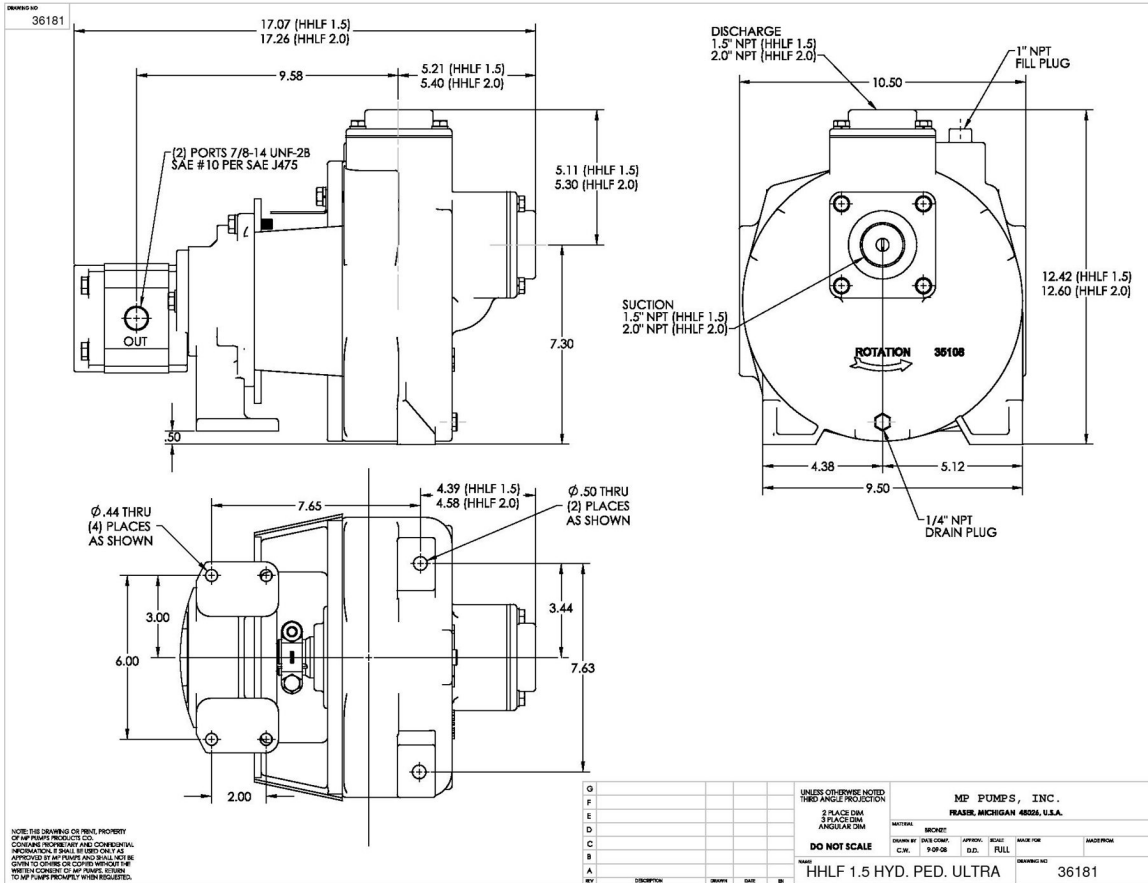
20 40



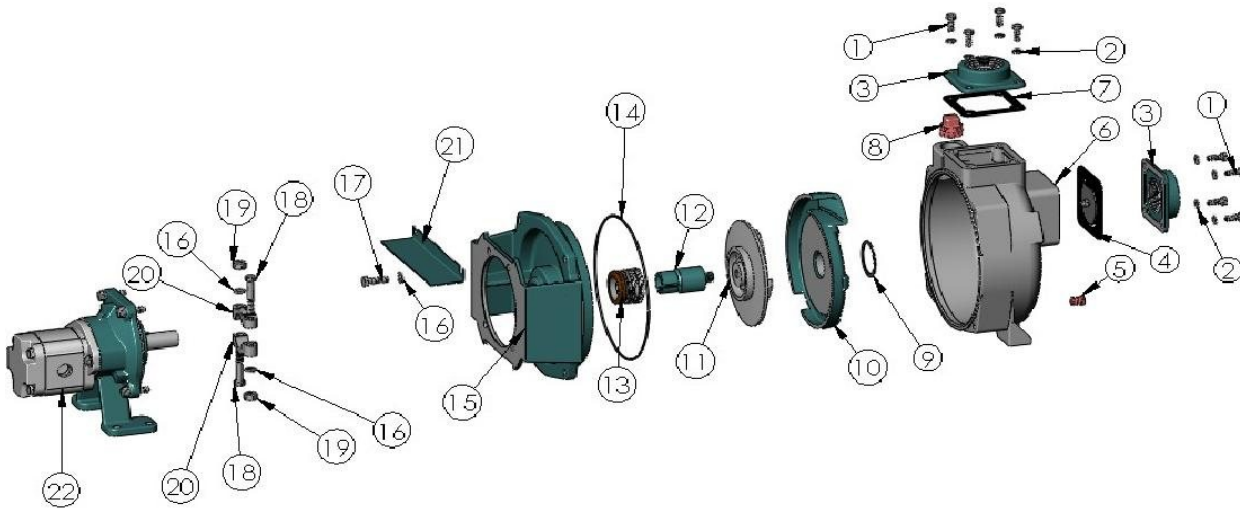
CUBIC METERS PER HOUR

20 40





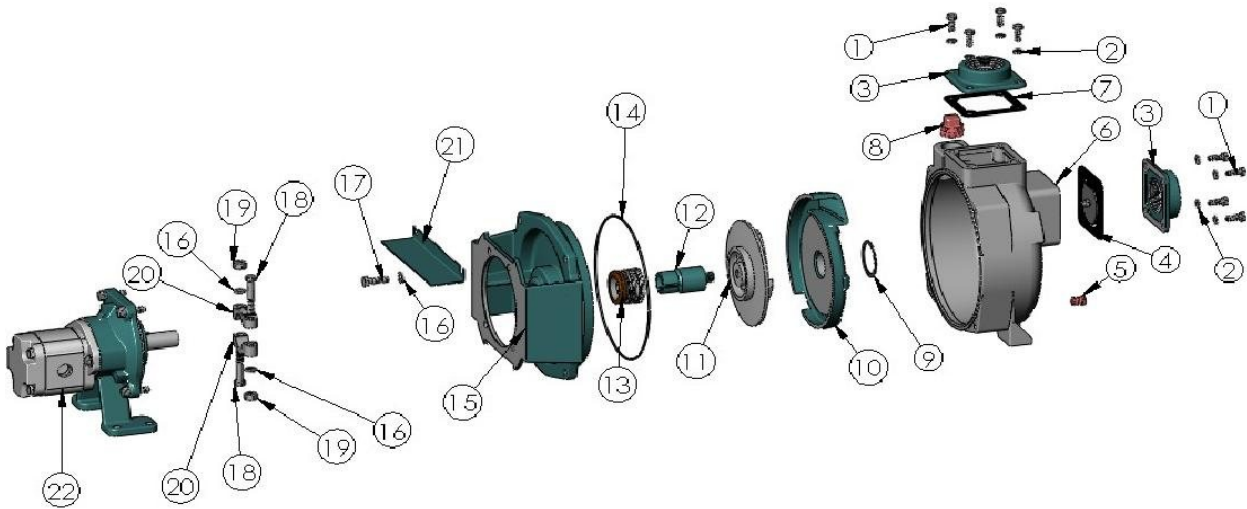
36182



ITEM NO.	PART NO.	DESCRIPTION	QTY.	ITEM NO.	PART NO.	DESCRIPTION	QTY.
1	21242	CAPSCREW - 5/16"-18 X 7/8" - S.S.	8	11	35919	IMPELLER - Ø6.70 - CAST	1
2	21238	LOCKWASHER - 5/16" - S.S.	8	12	28825	DRIVE SLEEVE -Ø1.00 - S.S.	1
3	22311	FLANGES- 2" N.P.T. - CAST	2	* 13	29533	SEAL - Ø1.5 - T-21	1
* 4	23022	FLAPPER ASSEMBLY	1	* 14	28907	O-RING - AS-568-175 - VITON	1
5	41475	PIPE PLUG - 1/4" N.P.T. - STL	1	15	29092	ADAPTER - CAST	1
6	35109	HOUSING - CAST	1	16	21266	LOCKWASHER - 3/8" - S.S.	6
* 7	22256	GASKET - BUNA	1	17	21274	CAPSCREW - 3/8"-16 X 1.25 - S.S.	4
8	41483	PIPE PLUG - 1" N.P.T. - STL	1	18	21269	CAPSCREW - 3/8"-16 X 2.25 - S.S.	2
9	28908	GASKET - VITON	1	19	21268	HEXNUT - 3/8"-16 - S.S.	2
10	31988	VOLUTE - CAST	1	* 20	22356	CLAMP Ø1.00 - S.S.	2
				21	29192	CLAMP GUARD - STEEL	1
				22	28551	PEDESTAL ASSY. - ULTRA	1

SUGGESTED REPLACEMENT PARTS

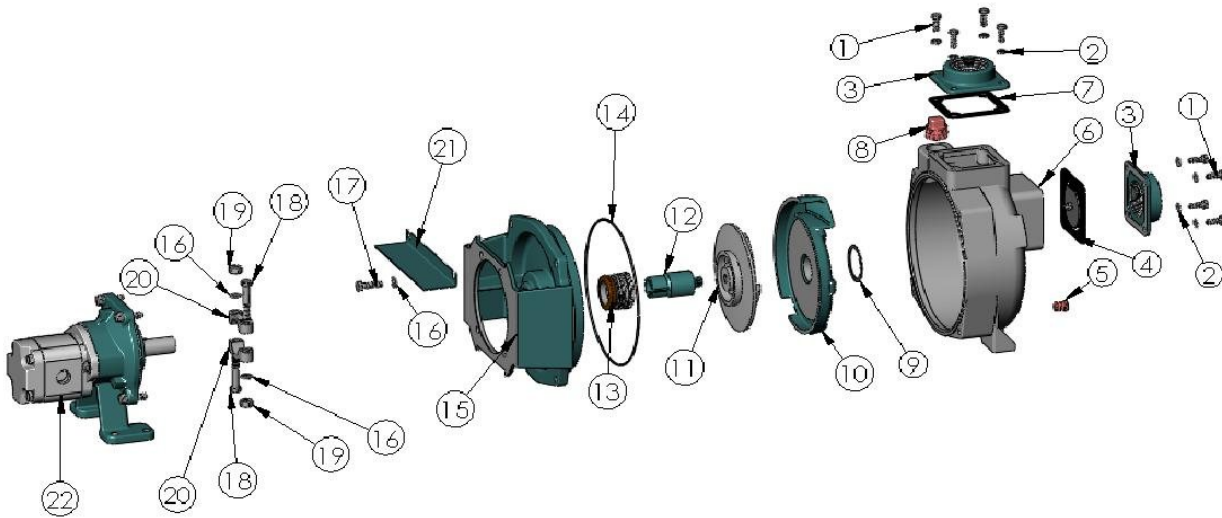
36183



ITEM NO.	PART NO.	DESCRIPTION	QTY.	ITEM NO.	PART NO.	DESCRIPTION	QTY.
1	21242	CAPSCREW - 5/16"-18 X 7/8" - S.S.	8	11	35919	IMPELLER - Ø6.70 - CAST	1
2	21238	LOCKWASHER - 5/16" - S.S.	8	12	28825	DRIVE SLEEVE -Ø1.00 - S.S.	1
3	22266	FLANGES- 1.5" N.P.T. - CAST	2	* 13	29533	SEAL - Ø1.5 - T-21	1
* 4	23022	FLAPPER ASSEMBLY	1	* 14	28907	O-RING - AS-568-175 - VITON	1
5	41475	PIPE PLUG - 1/4" N.P.T. - STL	1	15	29092	ADAPTER - CAST	1
6	35109	HOUSING - CAST	1	16	21266	LOCKWASHER - 3/8" - S.S.	6
* 7	22256	GASKET - BUNA	1	17	21274	CAPSCREW - 3/8"-16 X 1.25 - S.S.	4
8	41483	PIPE PLUG - 1" N.P.T. - STL	1	18	21269	CAPSCREW - 3/8"-16 X 2.25 - S.S.	2
9	28908	GASKET - VITON	1	19	21268	HEXNUT - 3/8"-16 - S.S.	2
10	31988	VOLUTE - CAST	1	* 20	22356	CLAMP Ø1.00 - S.S.	2
				21	29192	CLAMP GUARD - STEEL	1
				22	28551	PEDESTAL ASSY. - ULTRA	1

SUGGESTED REPLACEMENT PARTS

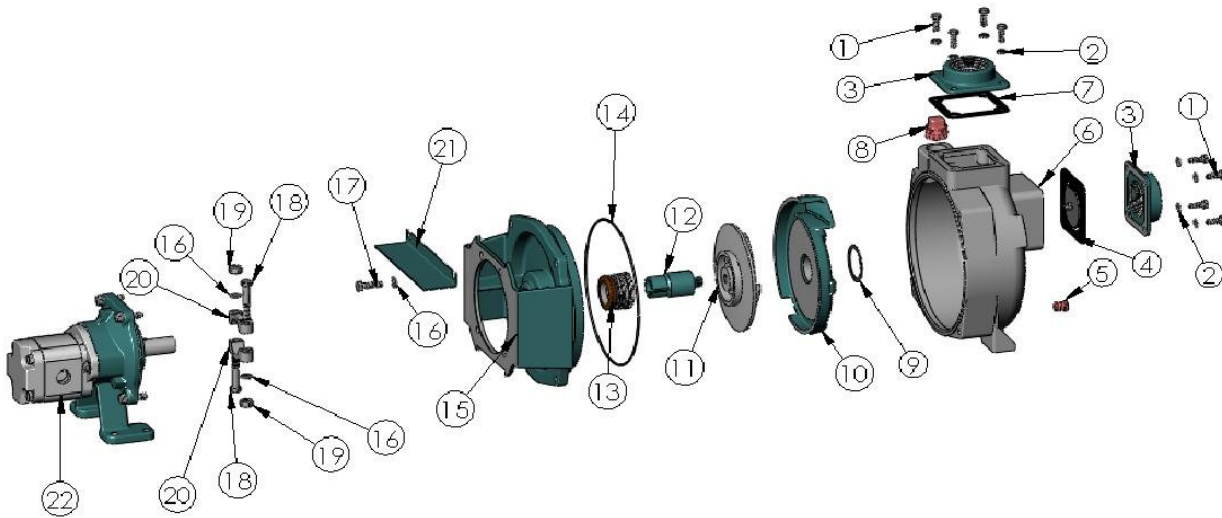
36181



ITEM NO.	PART NO.	DESCRIPTION	QTY.	ITEM NO.	PART NO.	DESCRIPTION	QTY.
1	21242	CAPSCREW - 5/16"-18 X 7/8" - S.S.	8	11	35921	IMPELLER - Ø6.70 - BRONZE	1
2	21238	LOCKWASHER - 5/16" - S.S.	8	12	28825	DRIVE SLEEVE -Ø1.00 - S.S.	1
3	22265	FLANGES- 1.5" N.P.T. - BRONZE	2	* 13	29533	SEAL - Ø1.5 - T-21	1
* 4	23022	FLAPPER ASSEMBLY	1	* 14	28907	O-RING - AS-568-175 - VITON	1
5	21186	PIPE PLUG - 1/4" N.P.T. - BRONZE	1	15	29093	ADAPTER - BRONZE	1
6	35118	HOUSING - BRONZE	1	16	21266	LOCKWASHER - 3/8" - S.S.	6
* 7	22256	GASKET - BUNA	1	17	21274	CAPSCREW - 3/8"-16 X 1.25 - S.S.	4
8	22378	PIPE PLUG - 1" N.P.T. - BRONZE	1	18	21269	CAPSCREW - 3/8"-16 X 2.25 - S.S.	2
9	28908	GASKET - VITON	1	19	21268	HEXNUT - 3/8"-16 - S.S.	2
10	33453	VOLUTE - BRONZE	1	* 20	22356	CLAMP Ø1.00 - S.S.	2
				21	29192	CLAMP GUARD - STEEL	1
				22	28551	PEDESTAL ASSY. - ULTRA	1

SUGGESTED REPLACEMENT PARTS

36180



ITEM NO.	PART NO.	DESCRIPTION	QTY.	ITEM NO.	PART NO.	DESCRIPTION	QTY.
1	21242	CAPSCREW - 5/16" - 18 X 7/8" - S.S.	8	11	35921	IMPELLER - Ø6.70 - BRONZE	1
2	21238	LOCKWASHER - 5/16" - S.S.	8	12	28825	DRIVE SLEEVE - Ø1.00 - S.S.	1
3	22310	FLANGES- 2" N.P.T. - BRONZE	2	* 13	29533	SEAL - Ø1.5 - T-21	1
* 4	23022	FLAPPER ASSEMBLY	1	* 14	28907	O-RING - AS-568-175 - VITON	1
5	21186	PIPE PLUG - 1/4" N.P.T. - BRONZE	1	15	29093	ADAPTER - BRONZE	1
6	35118	HOUSING - BRONZE	1	16	21266	LOCKWASHER - 3/8" - S.S.	6
* 7	22256	GASKET - BUNA	1	17	21274	CAPSCREW - 3/8" - 16 X 1.25 - S.S.	4
8	22378	PIPE PLUG - 1" N.P.T. - BRONZE	1	18	21269	CAPSCREW - 3/8" - 16 X 2.25 - S.S.	2
9	28908	GASKET - VITON	1	19	21268	HEXNUT - 3/8" - 16 - S.S.	2
10	33453	VOLUTE - BRONZE	1	* 20	22356	CLAMP Ø1.00 - S.S.	2
				21	29192	CLAMP GUARD - STEEL	1
				22	28551	PEDESTAL ASSY. - ULTRA	1

SUGGESTED REPLACEMENT PARTS