



CHEMFLO 1 HYDRAULIC

1-1/2" X 1" End Suction Centrifugal Pump

Made with high quality investment cast 316 stainless steel components, the ChemFlo® series of pumps are designed to be applied in a wide range of pumping applications where stainless steel is required.

The ChemFlo® 1 hydraulic pumps utilize a semi-open impeller design to allow for passage of larger solid sizes than similar sized enclosed impellers. Enclosed impeller options are available for higher efficiency performance. Several seal options are available in addition to the standard type 2100 carbon / ceramic / Viton mechanical seal.

ChemFlo® 1 hydraulic pumps are offered with .22 or .37 cubic inch displacement SAE port fitting gerotor type motors for hydraulic flows up to 10 GPM and a maximum pressure of 2500 PSI. An optional case drain allows the motor to be used in series with other hydraulic devices. Some hydraulic motors are bi-rotational.

Further expanding the versatility of the ChemFlo® series is the CFB 1 pump, a ChemFlo® 1 in NiBrAl material. All wetted parts are produced in CA 958 nickel aluminum bronze including the drive sleeve to maximize corrosion protection in seawater applications.

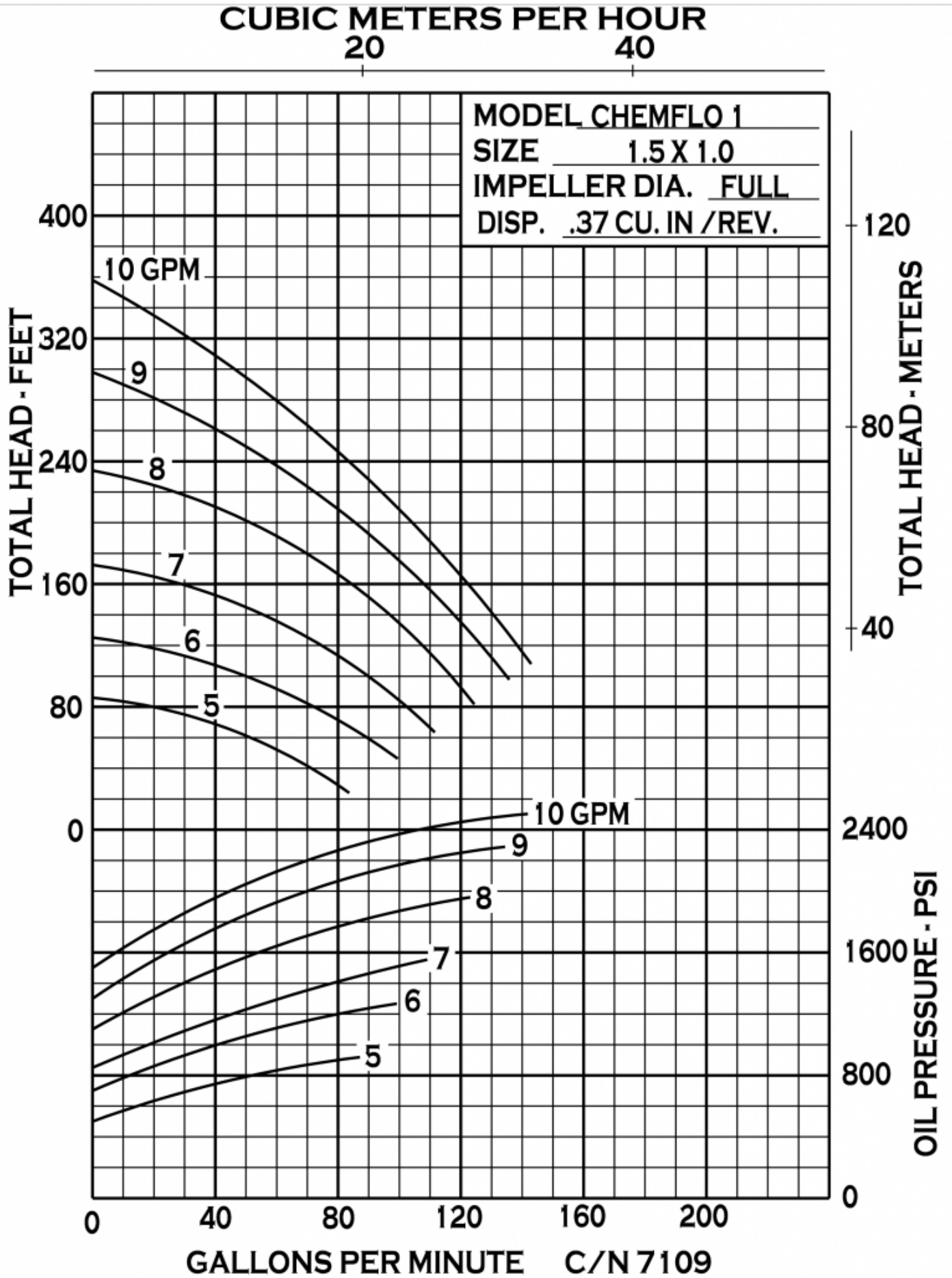


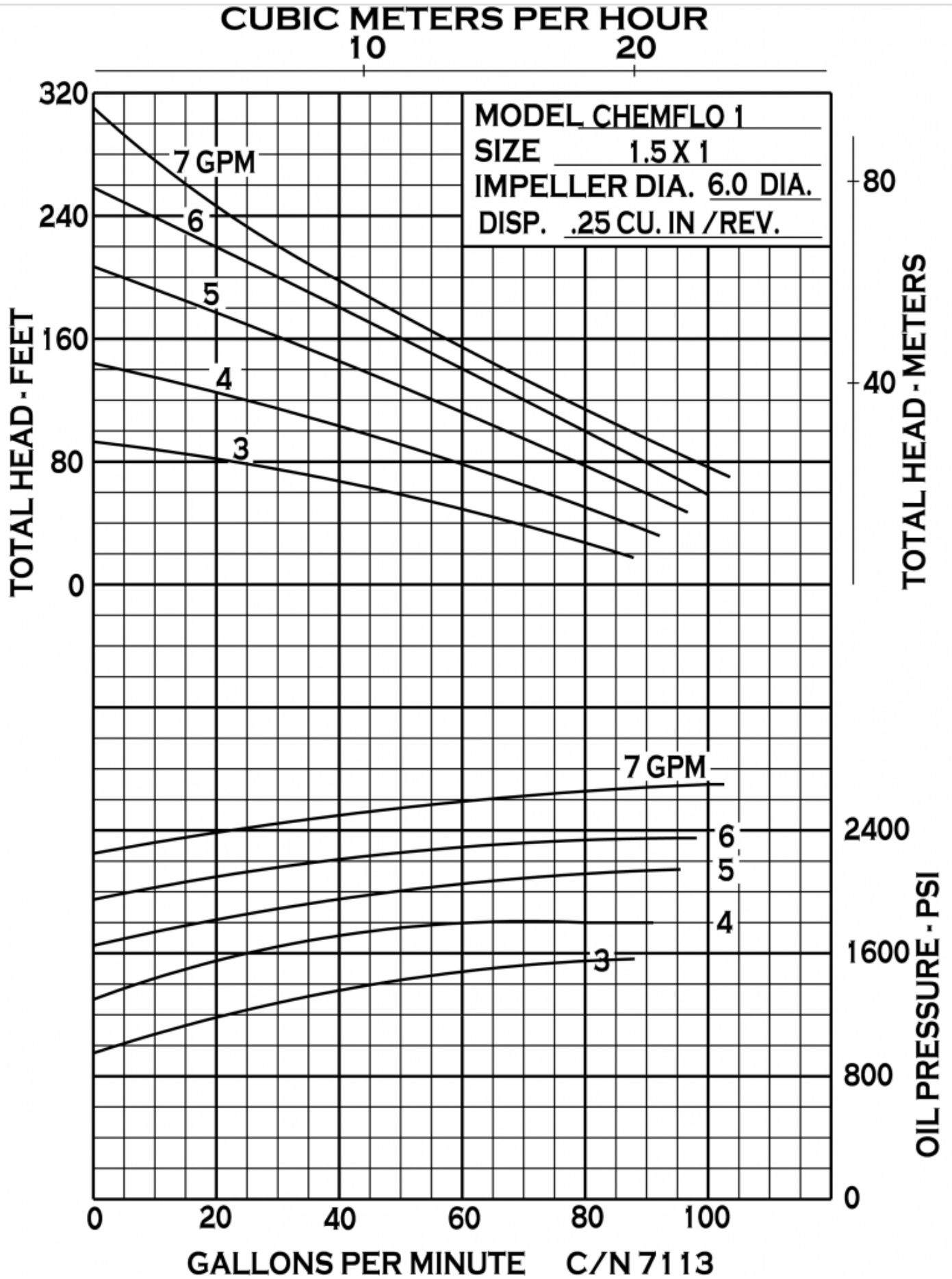
Application

- Agricultural
- Commercial
- Industrial
- Marine
- OEM

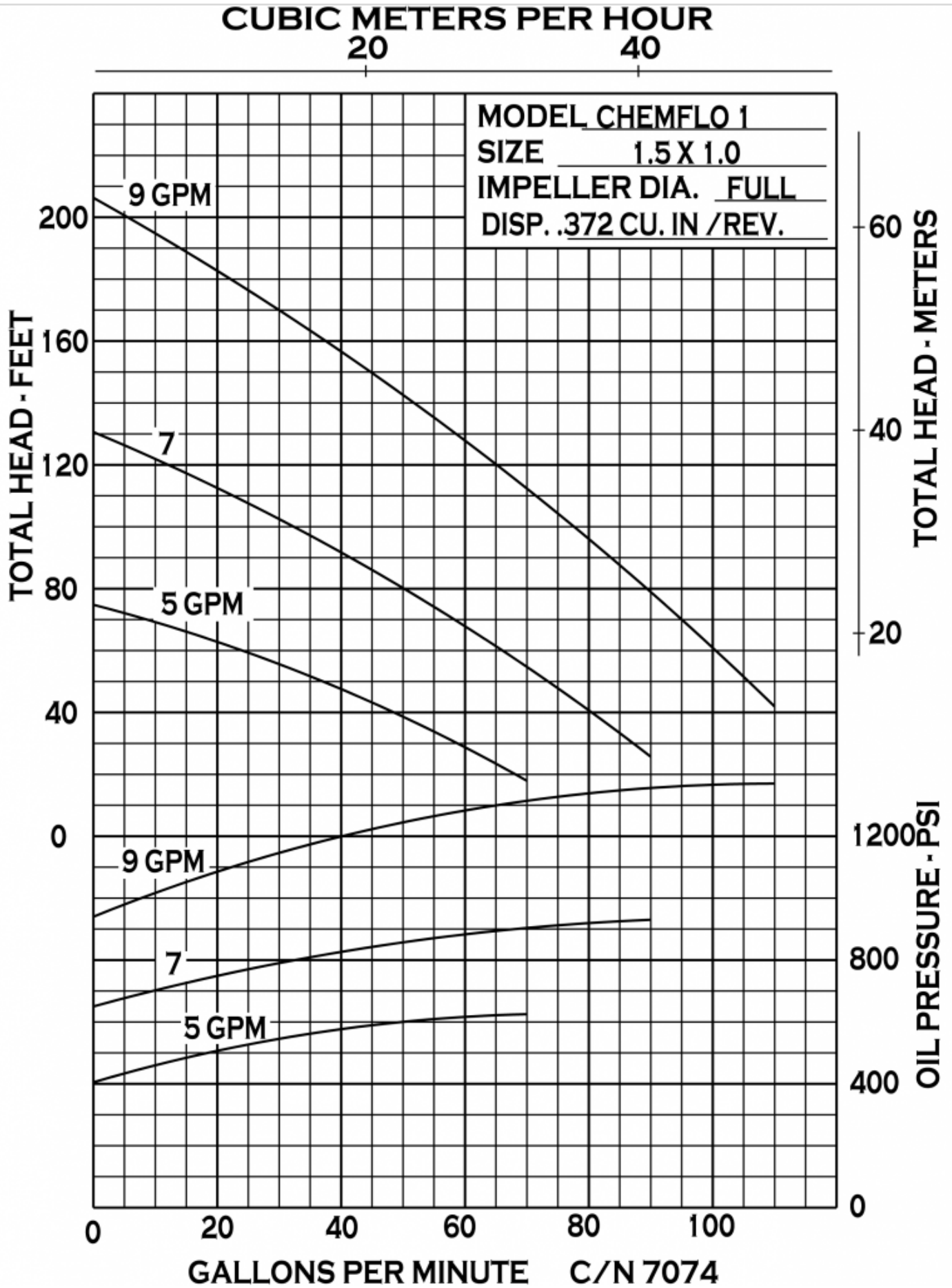
SPECIFICATIONS:

Suction And Discharge	1-1/2" x 1" NPT
Materials Of Construction	316 stainless steel, CFB (nickel aluminum bronze)
Flow	Up to 140 GPM
Head Feet	Up to 350'
Impeller	6" semi-open investment cast 316ss
Drive Options	Hydraulic motor .22 cu. in, Hydraulic motor .37 cu. in.
Seal	Standard carbon / ceramic / Viton
Psi	Up to 150
Hydraulic System Pressure	Up to 2500 PSI
Hydraulic Fluid Flow	Up to 10 GPM
Hydraulic Motor	Gerotor
Options	Hydraulic motors with flow controls



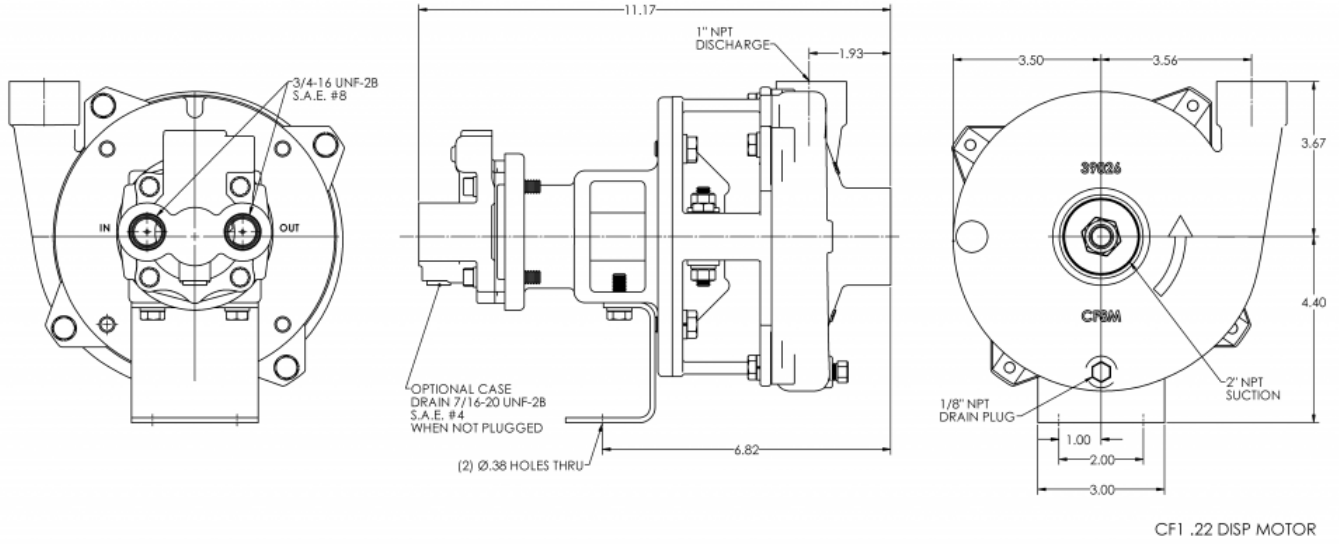


34800 BENNETT - FRASER, MI 48026-1686
 (586) 293-8240 - FAX (586) 293-8469
 (800) 563-8006 - www.mppumps.com

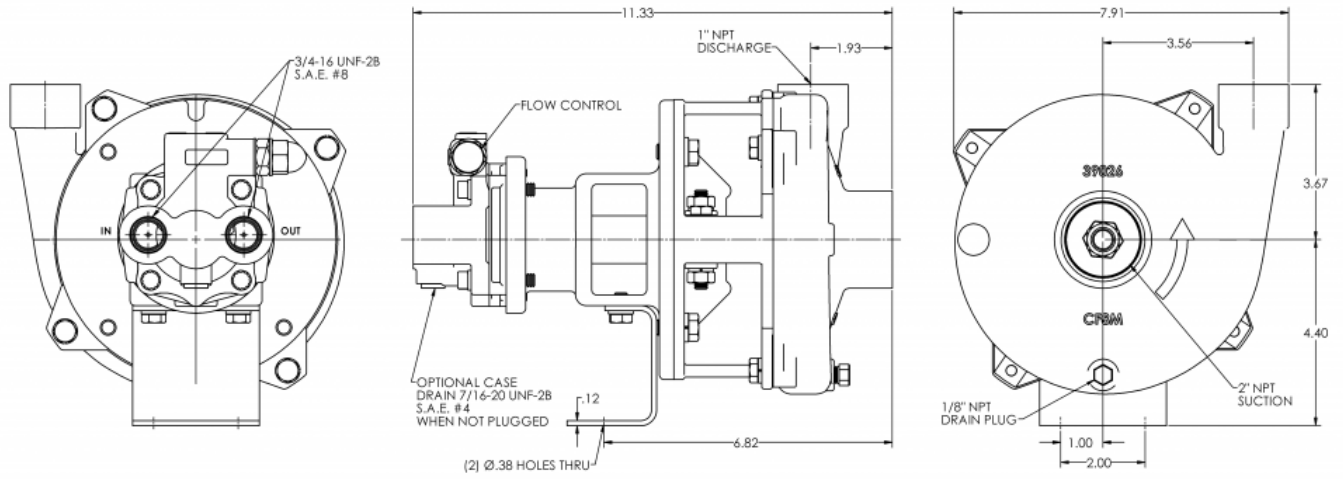


34800 BENNETT - FRASER, MI 48026-1686
 (586) 293-8240 - FAX (586) 293-8469
 (800) 563-8006 - www.mppumps.com

CHEMFLO 1 HYDRAULIC

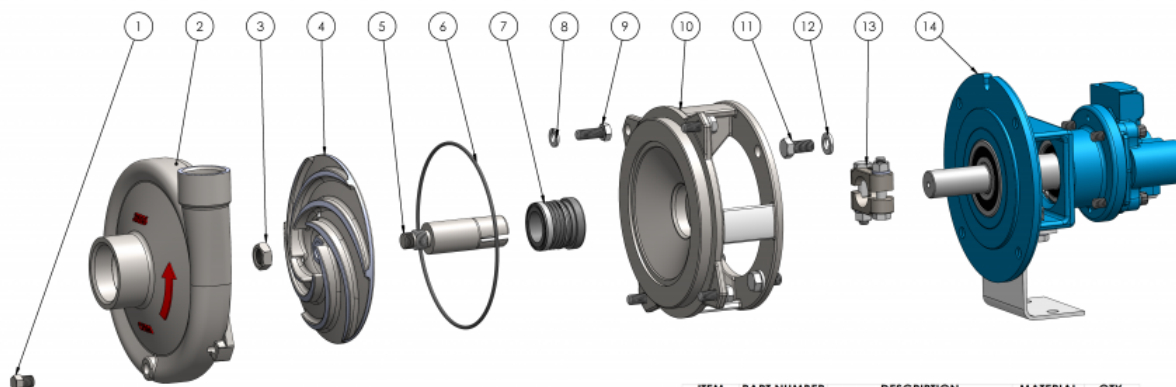


CHEMFLO 1 HYDRAULIC



CF1 .37 DISP MOTOR

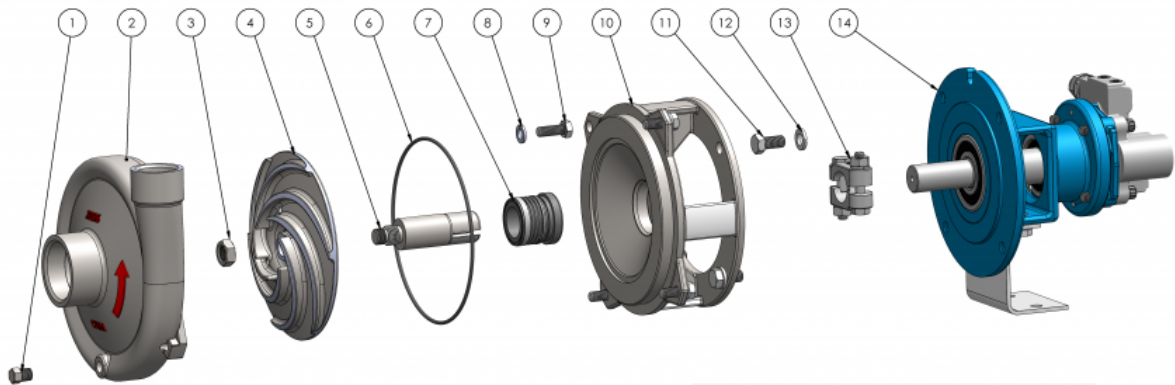
CHEMFLO 1 HYDRAULIC



ITEM	PART NUMBER	DESCRIPTION	MATERIAL	QTY.
1	21255	PIPE PLUG 1/8" NPT	316 SS	1
2	39027	HOUSING CF1-2	316 SS	1
3	35599	HEX JAM NUT	316 SS	1
4	34207	IMPELLER Ø6.00	CF8M SS	1
4	30231	IMPELLER Ø5.30	CF8M SS	1
4	30232	IMPELLER Ø4.40	CF8M SS	1
4	30233	IMPELLER Ø3.60	CF8M SS	1
5	35753	DRIVE SLEEVE 145TC	316 SS	1
6	31230	O-RING AS-568-162	EPDM	1
6	30066	O-RING AS-568-163	TEFLON	1
6	29715	O-RING AS-568-162	VITON	1
6	35290	O-RING AS-568-162	NEOPRENE	1
6	37375	O-RING AS-568-162	BUNA	1
6	30524	O-RING AS-568-162	AFLAS	1
7	26440	SEAL ASSEMBLY 1"	CAR/CER/	1
7	22560	SEAL ASSEMBLY 1"	SVC SSC	1
7	22273	SEAL ASSEMBLY 1"	CCS/VITO	1
8	21238	LOCKWASHER 5/16 X 1/8	304 SS	4
9	21242	CAP SCREW HH 5/16-18 X 7/8	304 SS	4
10	33794	ADAPTER 145TC	316 SS	1
11	25643	CAPSCREW 3/8-16 X 3/4	304 SS	4
12	21266	LOCKWASHER 3/8 X 1/8	304 SS	4
13	23003	CLAMP ASSEMBLY	303 SS	1
14	36038	HYD. PED. .22 DISP	CAST IRON	1
14	36025	HYD. PED. .22 DISP	CAST IRON	1

CF1 .22 DISP MOTOR

CHEMFLO 1 HYDRAULIC



ITEM NO.	PART NUMBER	DESCRIPTION	MATERIAL	QTY.
1	21255	PIPE PLUG 1/8" NPT	316 SS	1
2	39027	HOUSING CF1-2	316 SS	1
3	35599	HEX JAM NUT	316 SS	1
4	34207	IMPELLER Ø6.00	CF8M SS	1
4	30231	IMPELLER Ø5.30	CF8M SS	1
4	30232	IMPELLER Ø4.40	CF8M SS	1
4	30233	IMPELLER Ø3.40	CF8M SS	1
5	35753	DRIVE SLEEVE 145TC	316 SS	1
6	31230	O-RING AS-568-162	EPDM	1
6	30066	O-RING AS-568-163	TEFLON	1
6	29715	O-RING AS-568-162	VITON	1
6	35290	O-RING AS-568-162	NEOPRENE	1
6	39375	O-RING AS-568-162	BUNA	1
6	59204	O-RING AS-568-162	APLAS	1
7	26440	SEAL ASSEMBLY 1"	CAR/CER/CH	1
7	22560	SEAL ASSEMBLY 1"	SVC SSC	1
7	22273	SEAL ASSEMBLY 1"	CCS/VITON	1
7	21298	LOCKWASHER 5/16 X 18	304 SS	4
9	21242	CAP SCREW HH 5/16-18 X 7/8	304 SS	4
10	33794	ADAPTER 145TC	316 SS	1
11	25663	CAPSCREW 3/8-16 X 3/4	304 SS	4
12	21266	LOCKWASHER 3/8 X 1/8	304 SS	4
13	23003	CLAMP ASSEMBLY	316 SS	1
14	36269	HYD .37 DISP FLW CTRL	CAST IRON	1
14	36005	HYD .37 DISP	CAST IRON	1

CF1 .37 DISP MOTOR