



HTO™ 300

3" x 2-1/2" End Suction Centrifugal Hot Oil Pump

HTO300 is a patented, unique centrifugal pump designed for high temperature applications, such as the plastics, chemical, food and processing industries. The pump can be used in horizontal or vertical positions and is available with or without an electric motor. It is designed to greatly reduce the temperature at the seal by utilizing ambient air temperature which greatly increases seal life.

Want to learn more about using pumps with heat transfer fluids? Click here to view "Using Pumps with Heat Transfer Fluids" an article featured in Process Heating Magazine written by MP Pumps' Chief Engineer.

SPECIFICATIONS:

Suction And Discharge	3" x 2-1/2" ANSI 150# flat flange
Materials Of Construction	Ductile iron
Flow	Up to 500 GPM
Head Feet	Up to 190'
Impeller	7.0" cast iron, enclosed
Motor	Up to 20 HP
Drive Options	Close coupled 184TC, Close coupled 215TC, Pedestal, PumPAK® (without motor)
Seal	Carbon / silicon carbide / Viton, Optional severe duty seal available
Temperature	650°F max

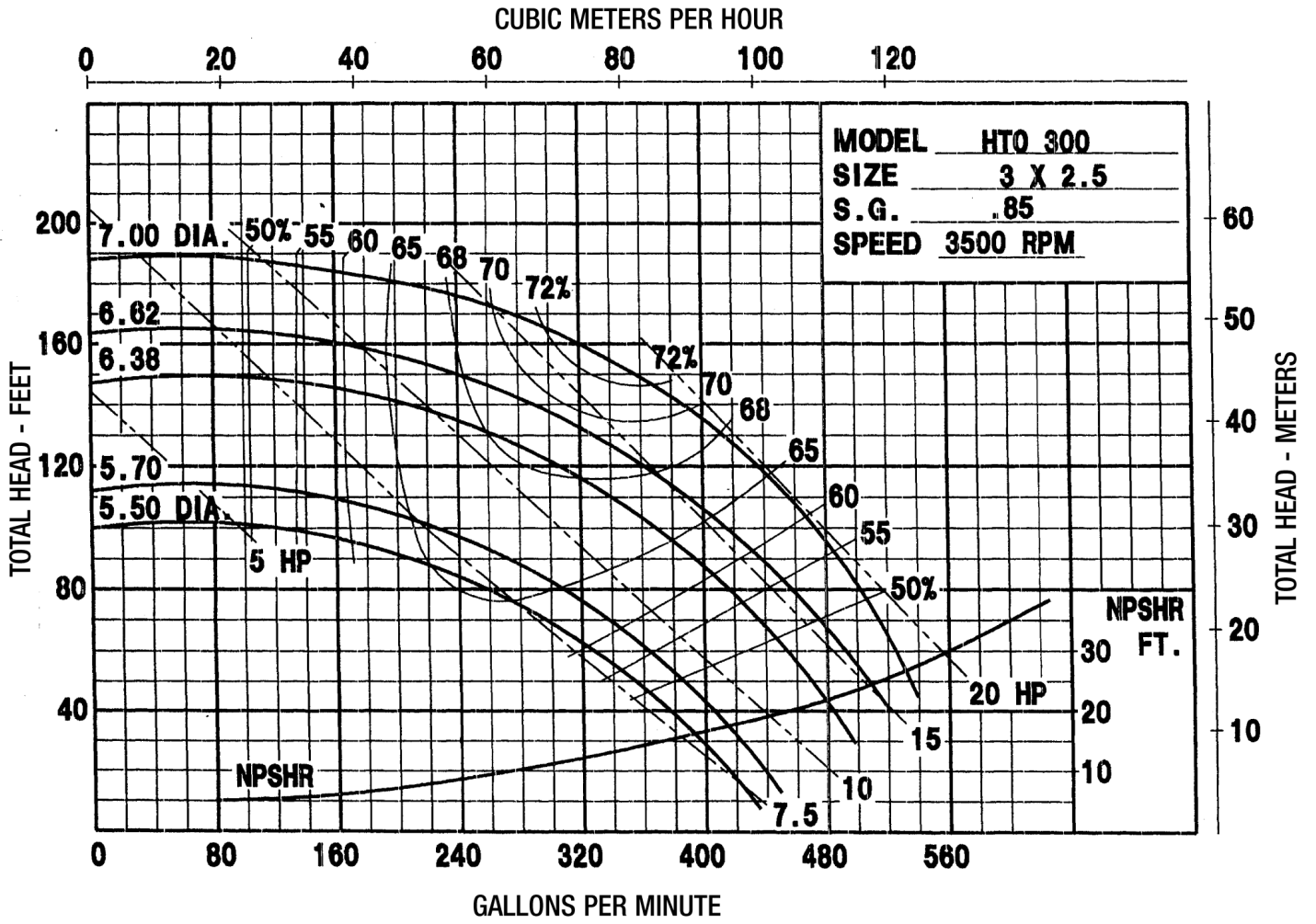


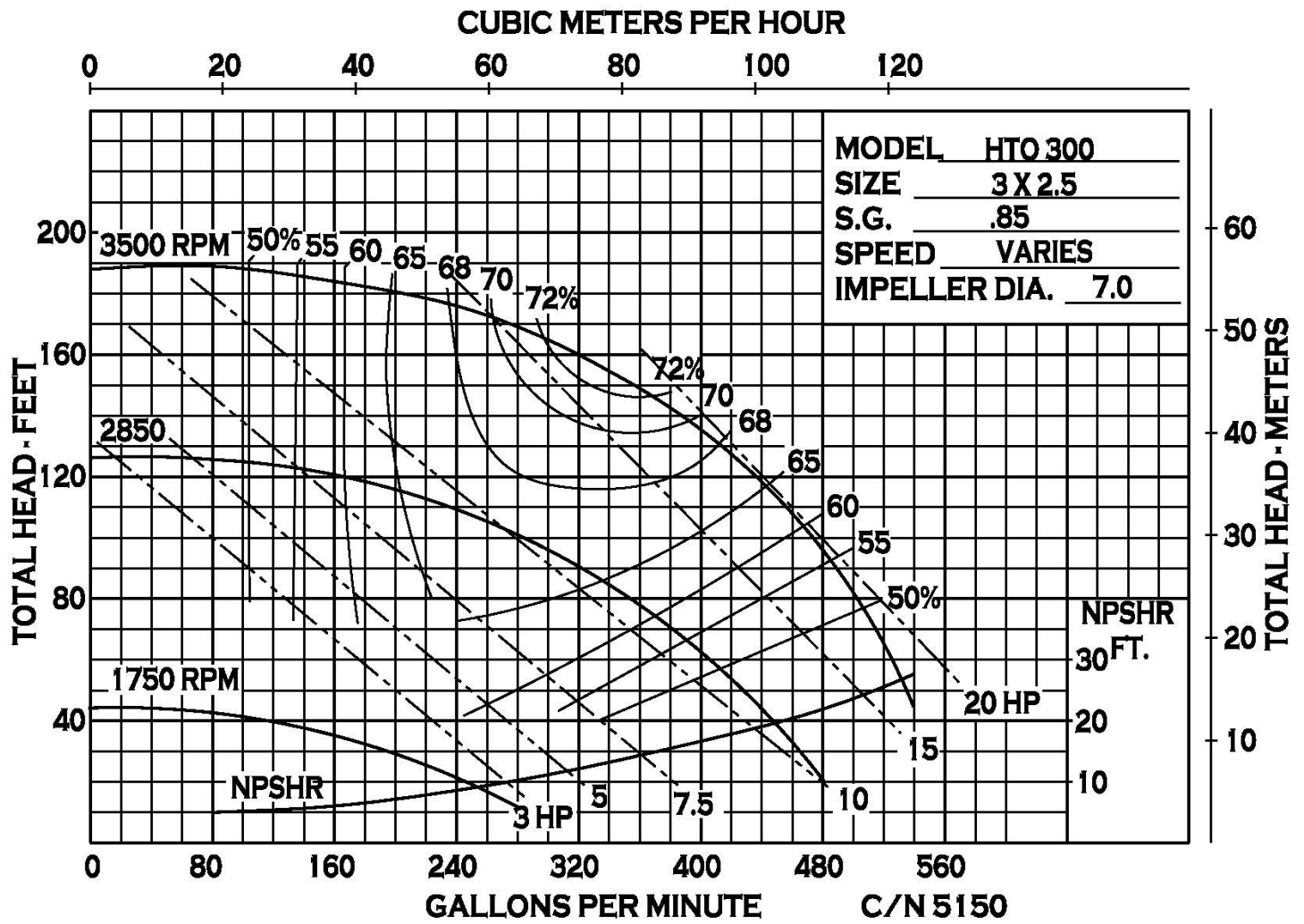
Application

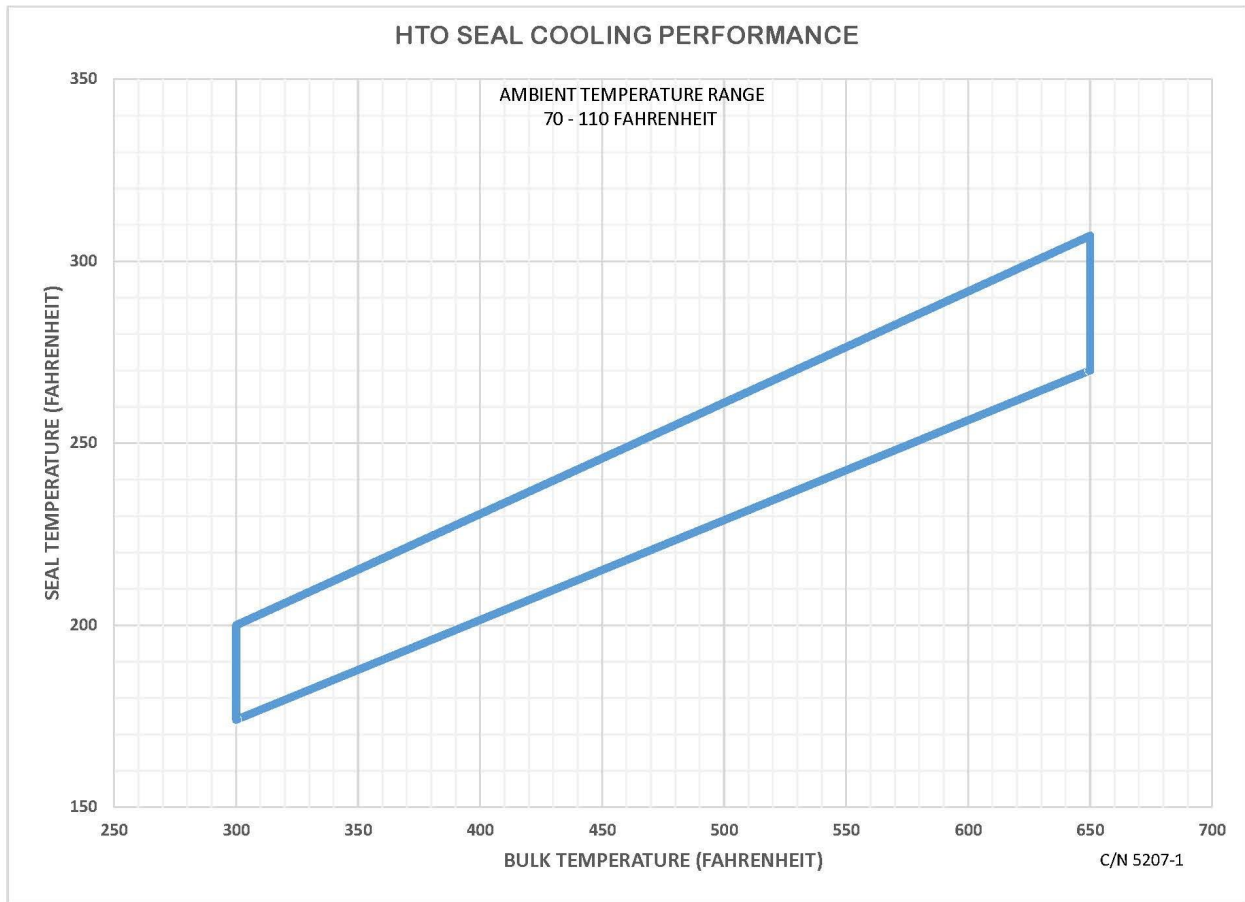
- Industrial
- OEM

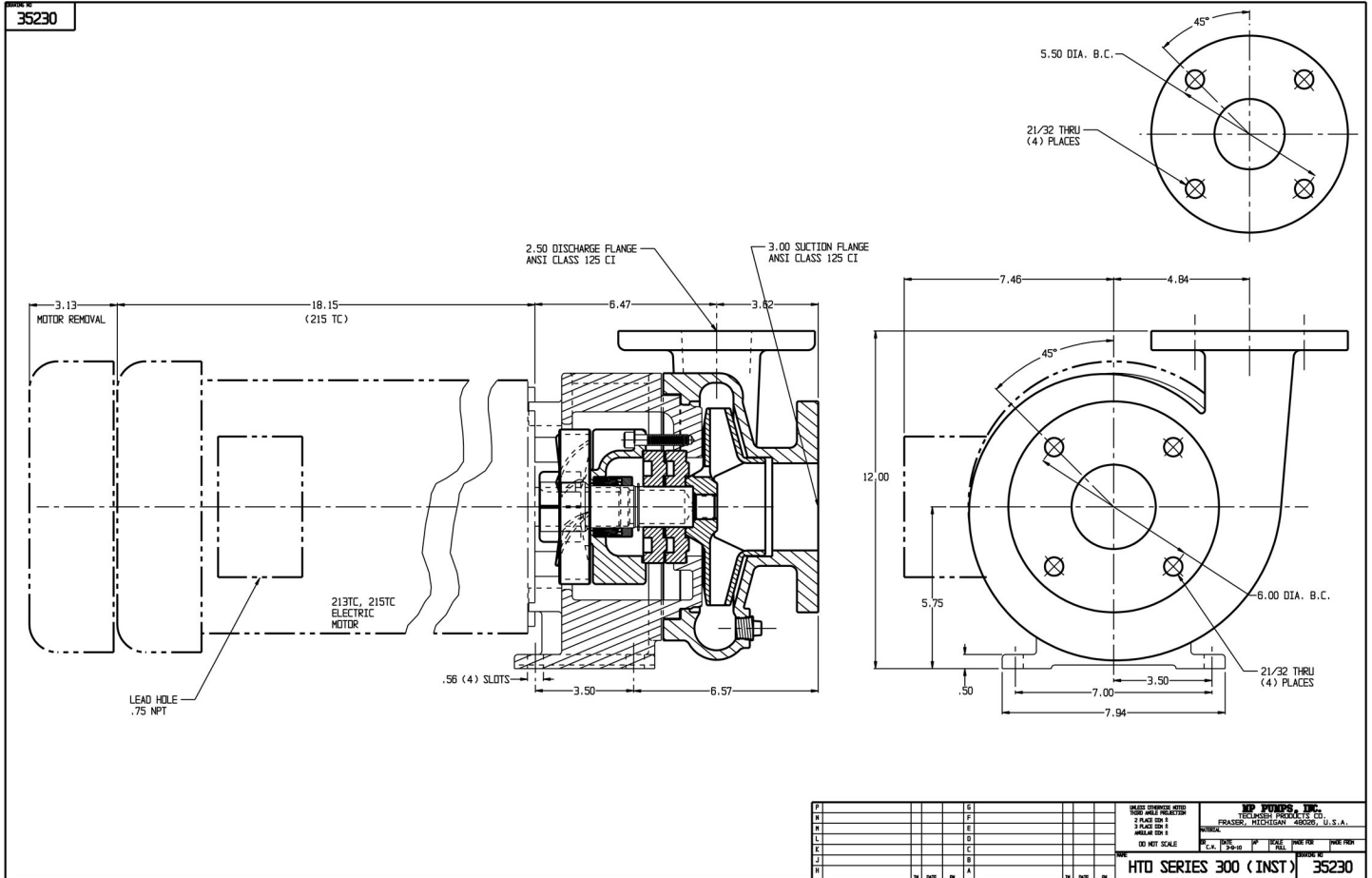
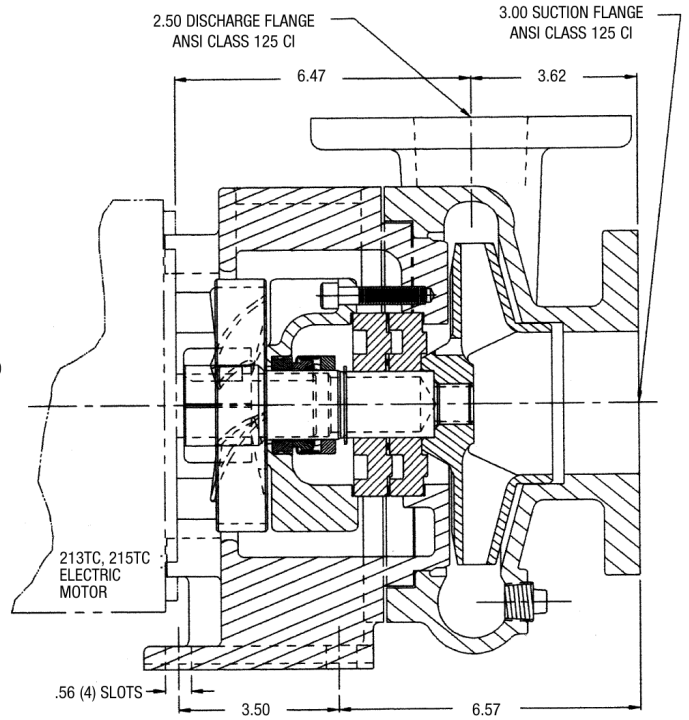
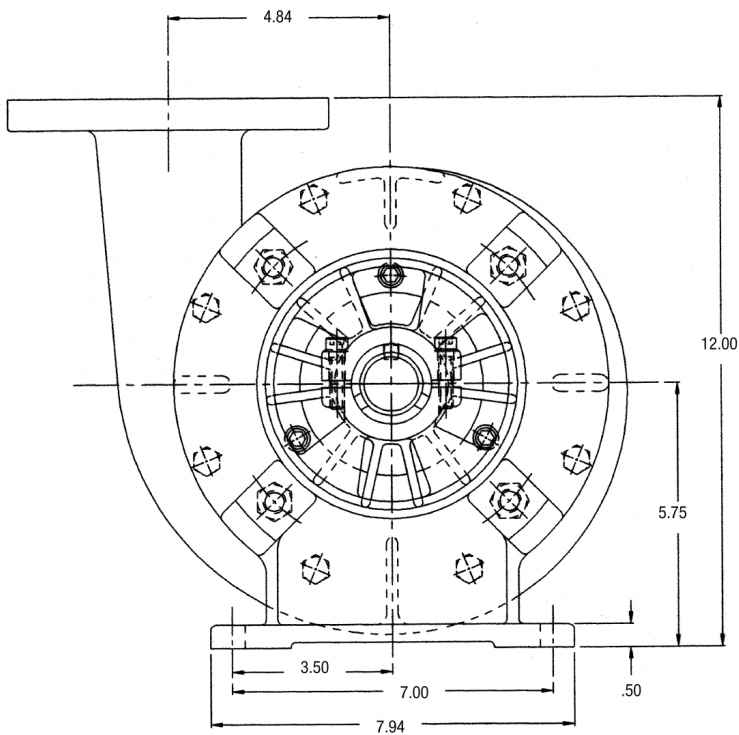
Drive Sleeve

- 303 stainless steel

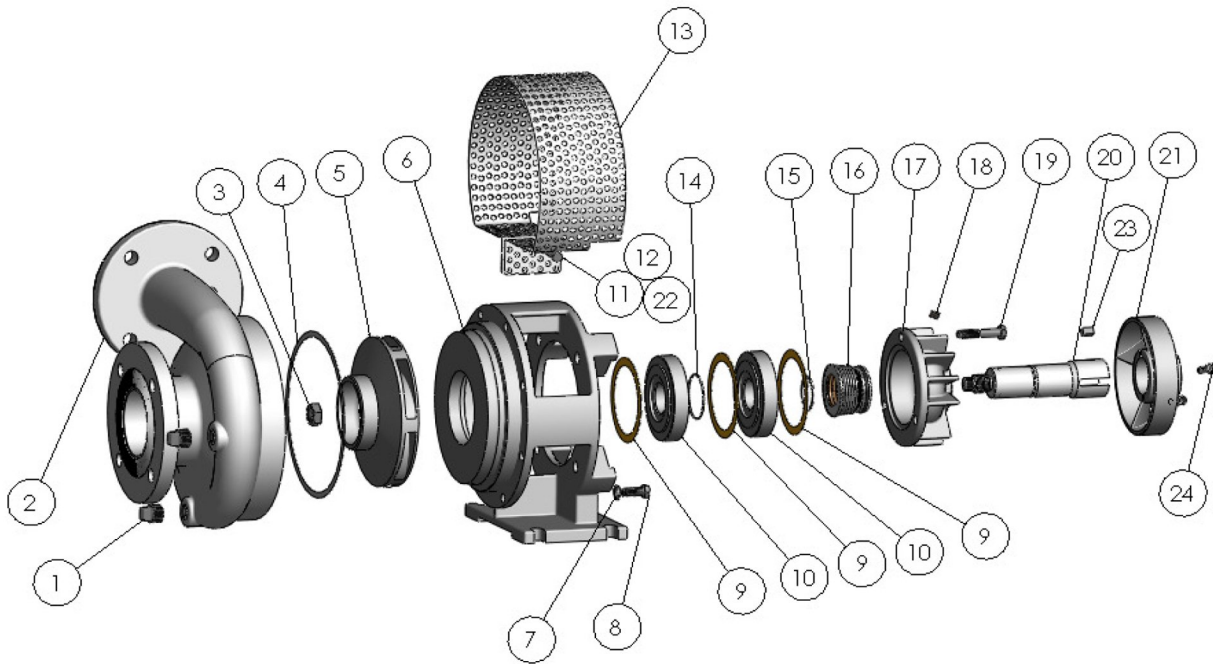






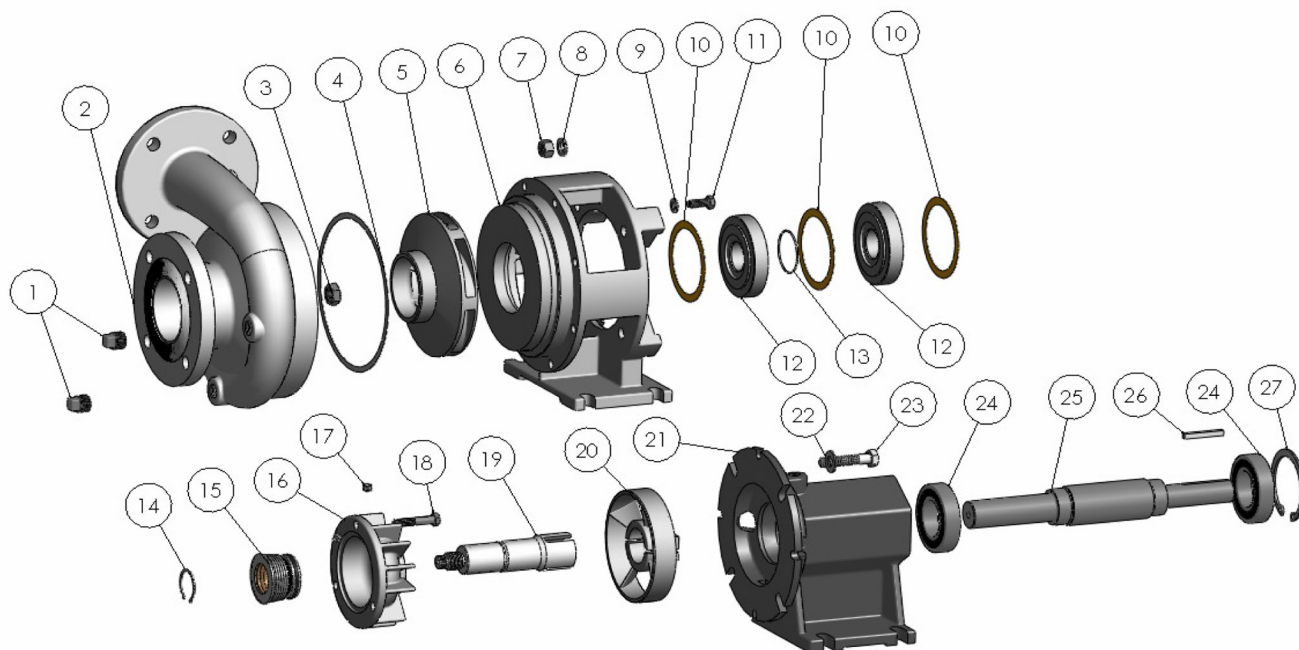


34800 BENNETT - FRASER, MI 48026-1686
 (586) 293-8240 - FAX (586) 293-8469
 (800) 563-8006 - www.mppumps.com



ITEM NO.	PART NO.	DESCRIPTION	QTY.		ITEM NO.	PART NO.	DESCRIPTION	QTY.
1	41479	1/2" NPT PIPE PLUG PLATED STL	2		11	33810	CAPSCREW ZPS - 1/4-20 X 1.75	1
2	26733	HOUSING FLAT FLANGE	1		12	21241	HEX NUT S.S. - 1/4-20	1
3	25168	HEX JAM NUT S.S.- 5/8-18	1		13	33274	SHIELD ZPS	1
* 4	31519	GASKET: 7.8X7.27X.03 GARLOCK 9850	1	*	14	30841	O RING - VITON	1
5	29823	IMPELLER C MACH: HTO-300 Ø7.0	1		15	29826	SNAP RING STL: 1.387X.05	1
6	29828	ADAPTER D MACH: HTO 300	1		16	34933	SEAL ASSY. T-2	1
7	30626	LOCK WASHER SS 3/8 X 1/8	8		17	29830	SEAL HSG D - HTO-300	1
8	41256	CAPSCREW STL: HH 3/8-16X1.0 GR.5	8		18	30824	PIPE PLUG STL. - 1/8" NPT	1
* 9	29825	GASKET: 3.98X3.23X.03 GARLOCK	3		19	21277	CAPSCREW SS:HH 3/8-16 X 2	3
* 10	30842	ISOLATER	2		20	29822	DRIVE SLEEVE SS 215TC	1
					21	29833	CLAMP FAN	1
					22	27261	WASHER STL.	2
					23	29831	KEY STL. - 5/16 X .50	1
					24	30264	CAPSCREW STL. - 5/16-18 X 1.25	2

*RECOMMENDED REPLACEMENT PARTS



ITEM NO.	PART NO.	DESCRIPTION	QTY.		ITEM NO.	PART NO.	DESCRIPTION	QTY.
1	41479	1/2" NPT PIPE PLUG PLATED STL	2		14	29826	SNAP RING STL: 1.387X.05	1
2	26733	HOUSING FLAT FLANGE	1		15	34933	SEAL ASSY. T-2	1
3	25168	HEX JAM NUT S.S.- 5/8-18	1		16	29830	SEAL HSG D - HTO-300	1
* 4	31519	GASKET: 7.8X7.27X.03 GARLOCK 9850	1		17	30824	PIPE PLUG STL. - 1/8" NPT	1
5	29823	IMPELLER C MACH: HTO-300 Ø7.0	1		18	21277	CAPSCREW SS:HH 3/8-16 X 2	3
6	29828	ADAPTER D MACH: HTO 300	1		19	29822	DRIVE SLEEVE S.S.	1
7	41553	HEXNUT STL. - 1/2-13	4		20	29833	CLAMP FAN ASSY.	1
8	41387	L'WASHER ZPS - 1/2"	4		21	34889	BEARING HOUSING C	1
9	30626	LOCK WASHER S.S. 3/8 X 1/8	8		22	34350	WASHER FLAT S.S. - .50	4
* 10	29825	GASKET: 3.98X3.23X.03 GARLOCK	3		23	34890	CAPSCREW STL.- 1/3-13 X 2.5 GRADE 5	4
11	41256	CAPSCREW STL: HH 3/8-16X1.0 GR.5	8		24	31804	BALL BEARING SEALED	2
* 12	30842	ISOLATER	2		25	34891	SHAFT S.S.	1
* 13	30841	O RING - VITON	1		26	33232	SQ KEY: 1/4 X 1/4 X 2.00	1
					27	31803	SNAP RING STL.- N5000-334	1

*RECOMMENDED REPLACEMENT PARTS