



SERIES 80 HYDRAULIC

1-1/2" x 1-1/4" End Suction Centrifugal Pump

SERIES 80 Hydraulic end suction centrifugal pumps are offered with .37, .45, or .58 cubic inch displacement gerotor motors for hydraulic flows up to 15 GPM and a maximum pressure of 2500 PSI.

SERIES 80 end suction centrifugal pumps are available in cast iron or bronze construction to suit a wide variety of liquids.

All fasteners are stainless steel to reduce corrosion. Impellers are dynamically balanced to improve efficiency and bearing life.

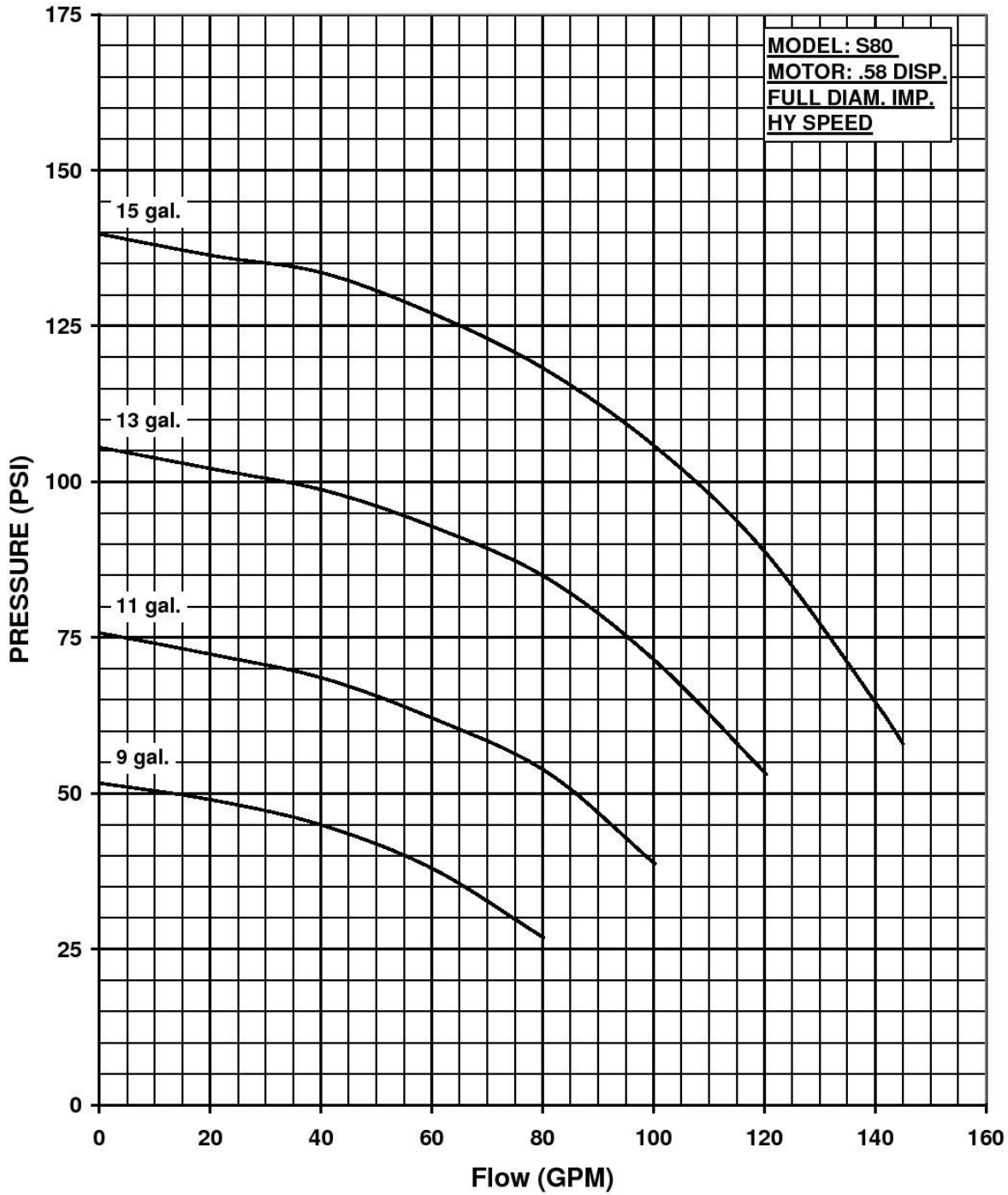
Standard carbon / ceramic / Viton mechanical seal is self-adjusting and corrosion resistant to handle almost any liquid.

Application

- Agricultural
- Industrial
- Marine
- OEM

SPECIFICATIONS:

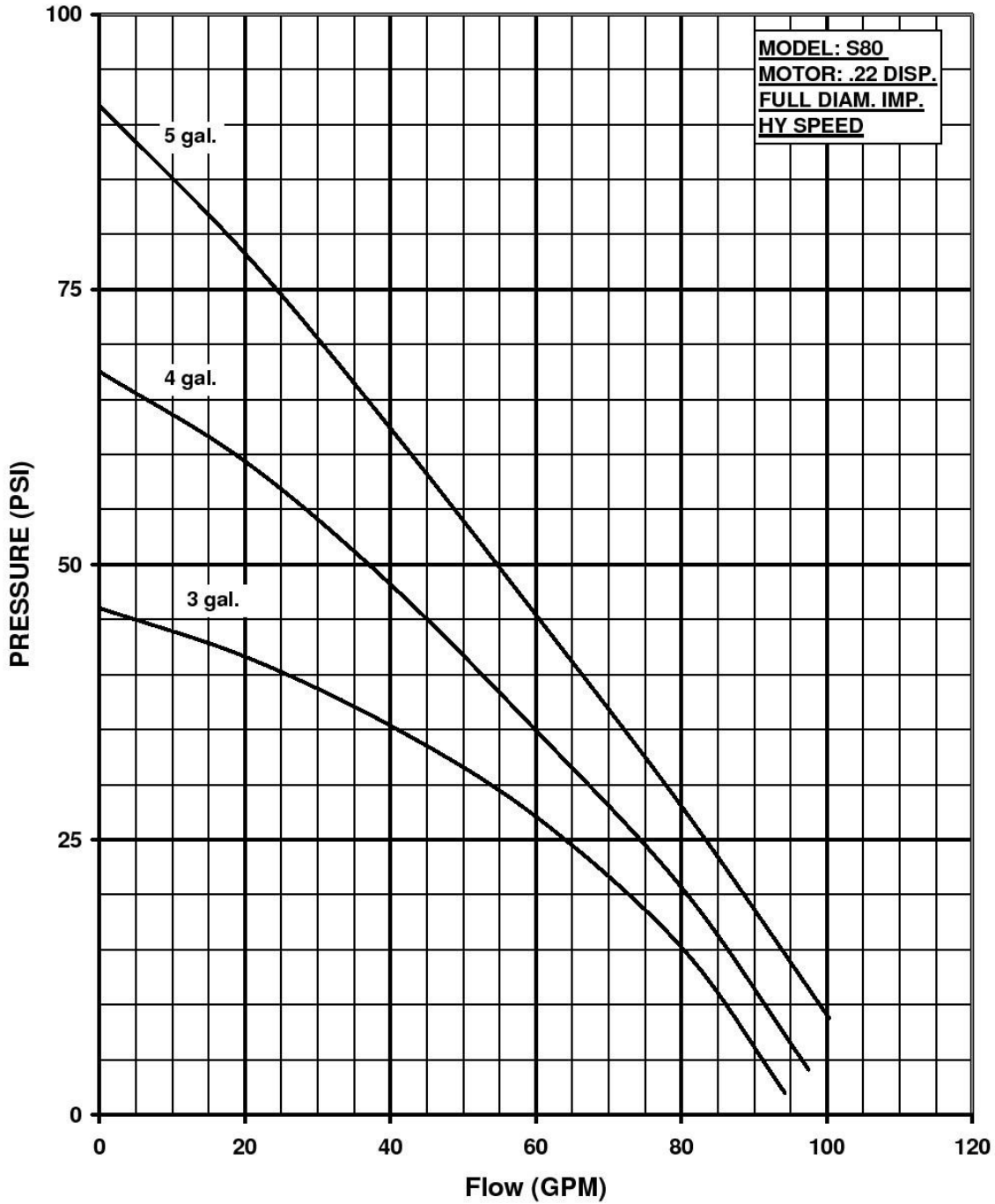
Suction And Discharge	1-1/2" x 1-1/4" NPT
Materials Of Construction	Bronze, Cast iron
Flow	Up to 145 GPM
Head Feet	Up to 370'
Impeller	5.9" enclosed
Drive Options	Hydraulic motor .37 cu. in., Hydraulic motor .45 cu. in., Hydraulic motor .58 cu. in.
Seal	Standard carbon / ceramic / Viton
Psi	Up to 160
Hydraulic Fluid Flow	Up to 15 GPM
Max Solid Size	.11"
Hydraulic Motor	Gerotor
Options	Hydraulic motors with flow controls
Hydraulic System Pressure	Up to 2500 PSI



OIL FLOW	SHUT OFF	10	25	40	55	70	85	100	115	130	145	MAX. HYD. OIL PRESS.REQ.
	0 GPM	GPM	GPM	GPM	GPM	GPM	GPM	GPM	GPM	GPM	GPM	
9 GPM	51 PSI	50 PSI	48 PSI	45 PSI	40 PSI	33 PSI	-	-	-	-	-	800 PSI
11 GPM	76 PSI	74 PSI	72 PSI	78 PSI	64 PSI	63 PSI	51 PSI	39 PSI	-	-	-	1100 PSI
13 GPM	106 PSI	104 PSI	101 PSI	98 PSI	95 PSI	89 PSI	82 PSI	72 PSI	58 PSI	-	-	1500 PSI
15 GPM	140 PSI	137 PSI	136 PSI	134 PSI	129 PSI	123 PSI	115 PSI	102 PSI	94 PSI	77 PSI	58 PSI	1900 PSI

CN 7105-S

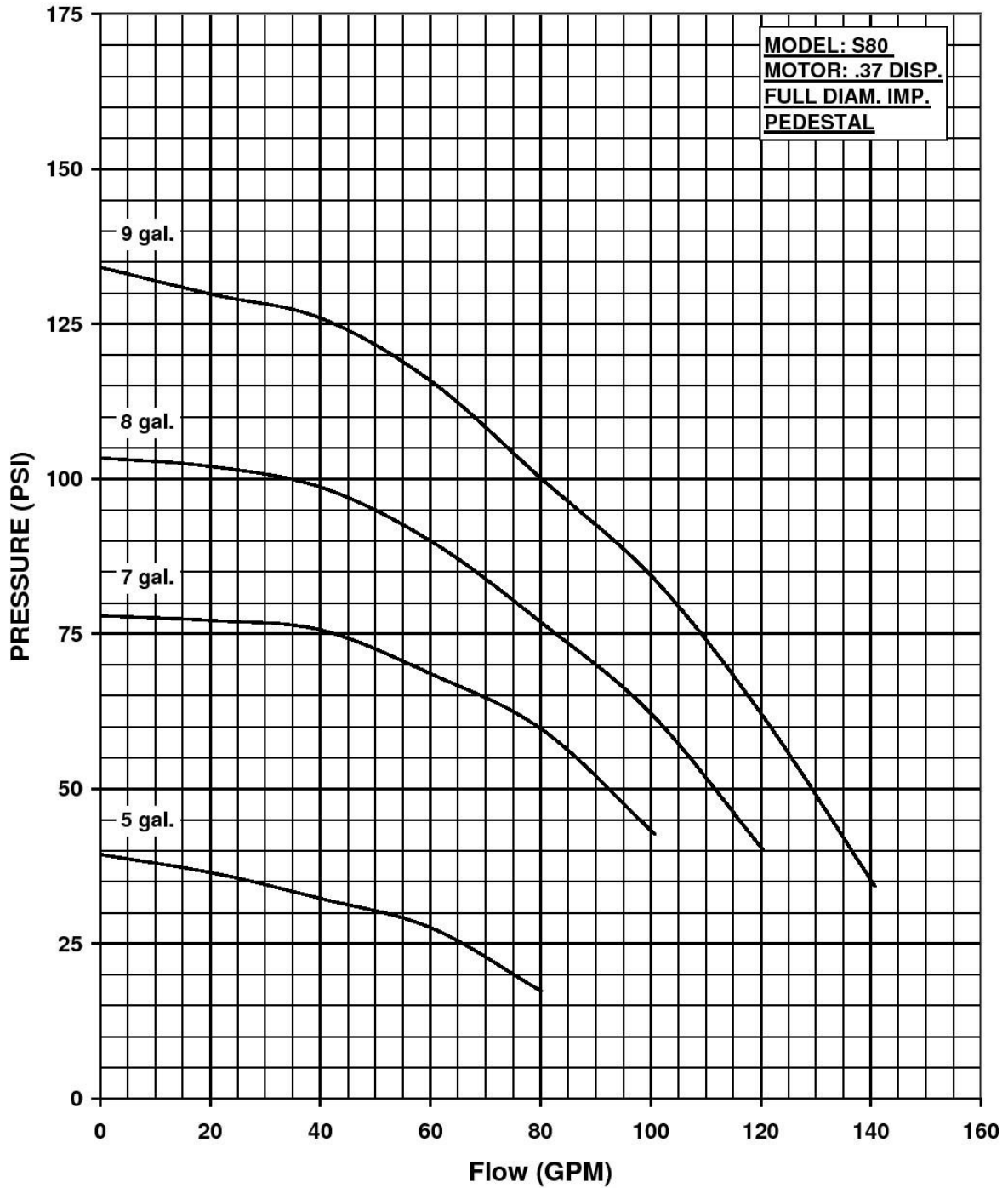




OIL FLOW	SHUT OFF 0 GPM	10 GPM	20 GPM	35 GPM	50 GPM	65 GPM	80 GPM	95 GPM	MAX. HYD. OIL PRESS. REQ.
3 GPM	46	43	37	34	29	23	12		1700
4 GPM	68	64	58	47	38	28	17		2200
5 GPM	92	84	73	59	47	46	22	10	2500

CN 7123-S



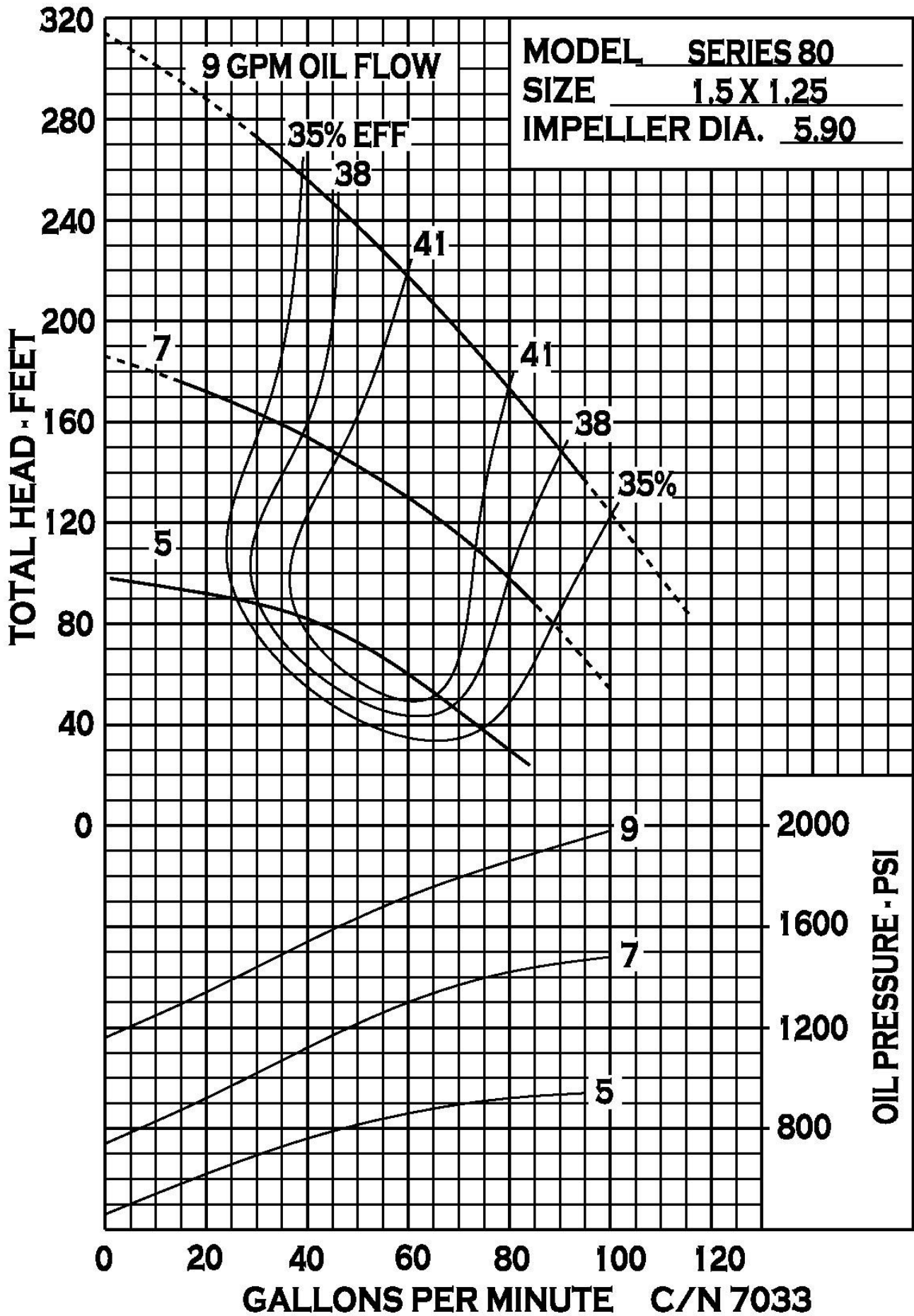


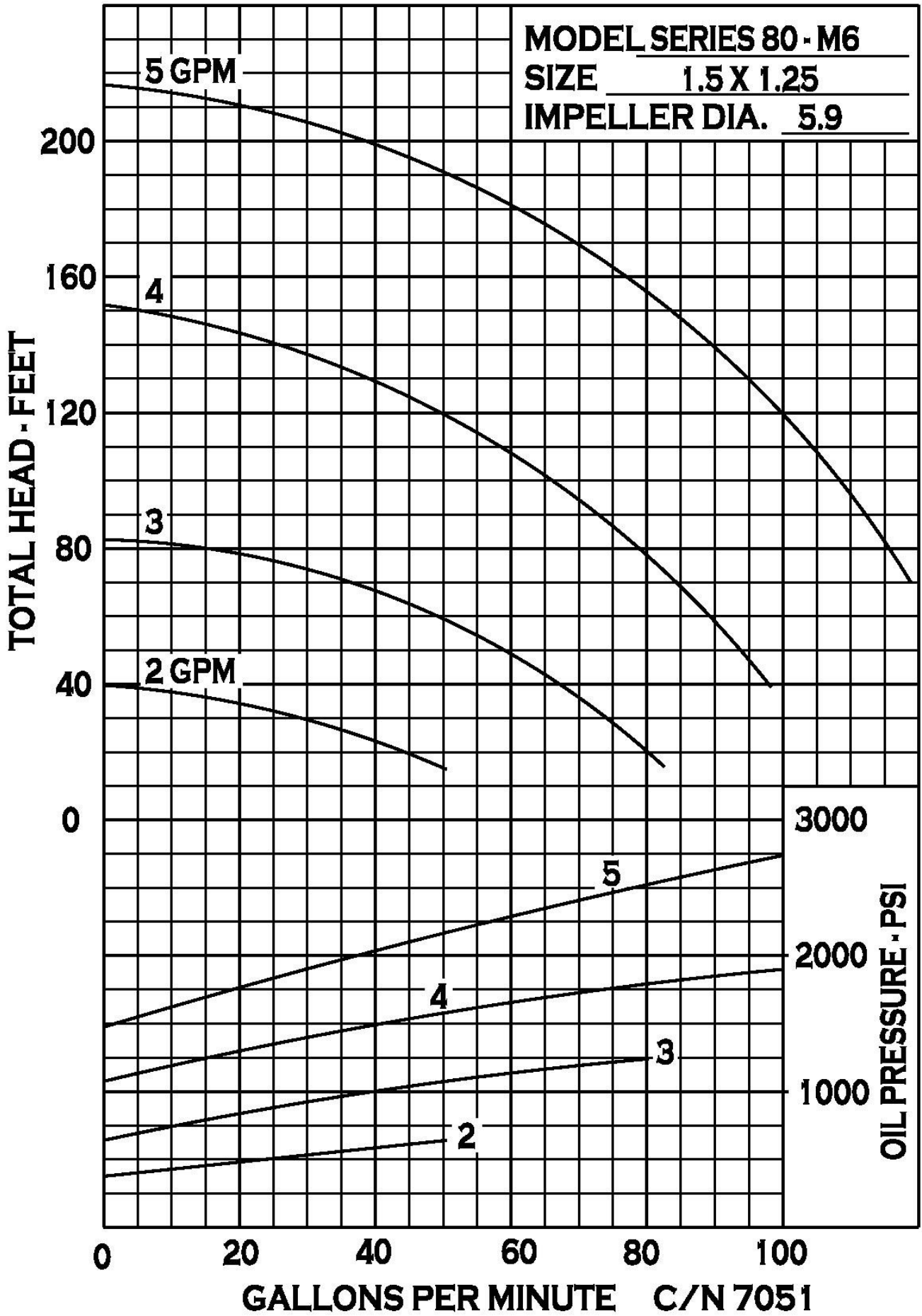
OIL FLOW	SHUT OFF 0 GPM	10 GPM	25 GPM	40 GPM	55 GPM	70 GPM	85 GPM	100 GPM	115 GPM	130 GPM	145 GPM	MAX. HYD. OIL PRESS. REQ.
5 GPM	39 PSI	37 PSI	36 PSI	32 PSI	29 PSI	23 PSI	-	-	-	-	-	1000 PSI
7 GPM	78 PSI	77 PSI	76 PSI	76 PSI	71 PSI	65 PSI	56 PSI	43 PSI	-	-	-	1700 PSI
8 GPM	104 PSI	103 PSI	101 PSI	99 PSI	93 PSI	84 PSI	74 PSI	62 PSI	46 PSI	-	-	2100 PSI
9 GPM	134 PSI	132 PSI	124 PSI	126 PSI	119 PSI	108 PSI	97 PSI	85 PSI	68 PSI	49 PSI	-	2450 PSI

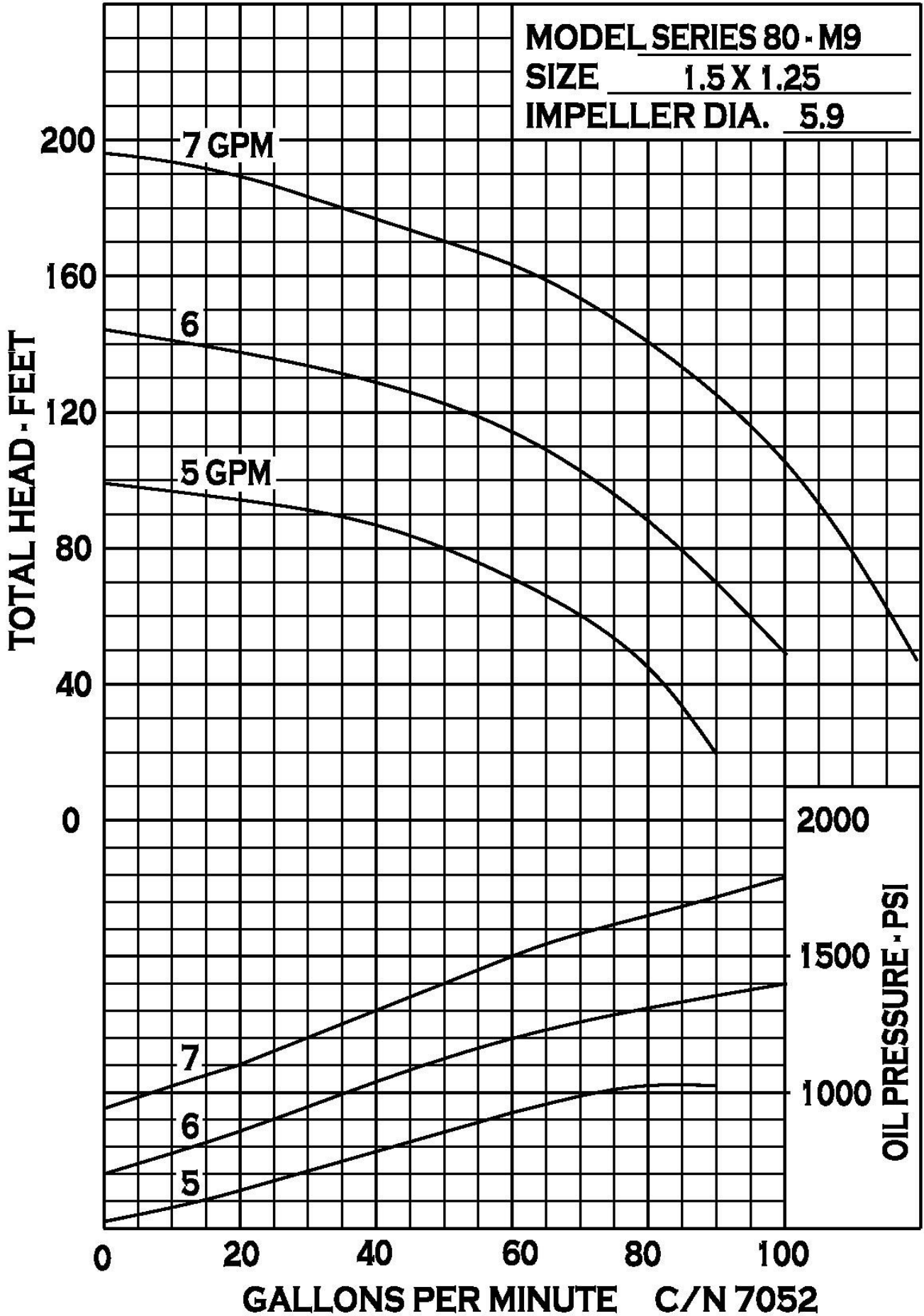
CN 7129-S

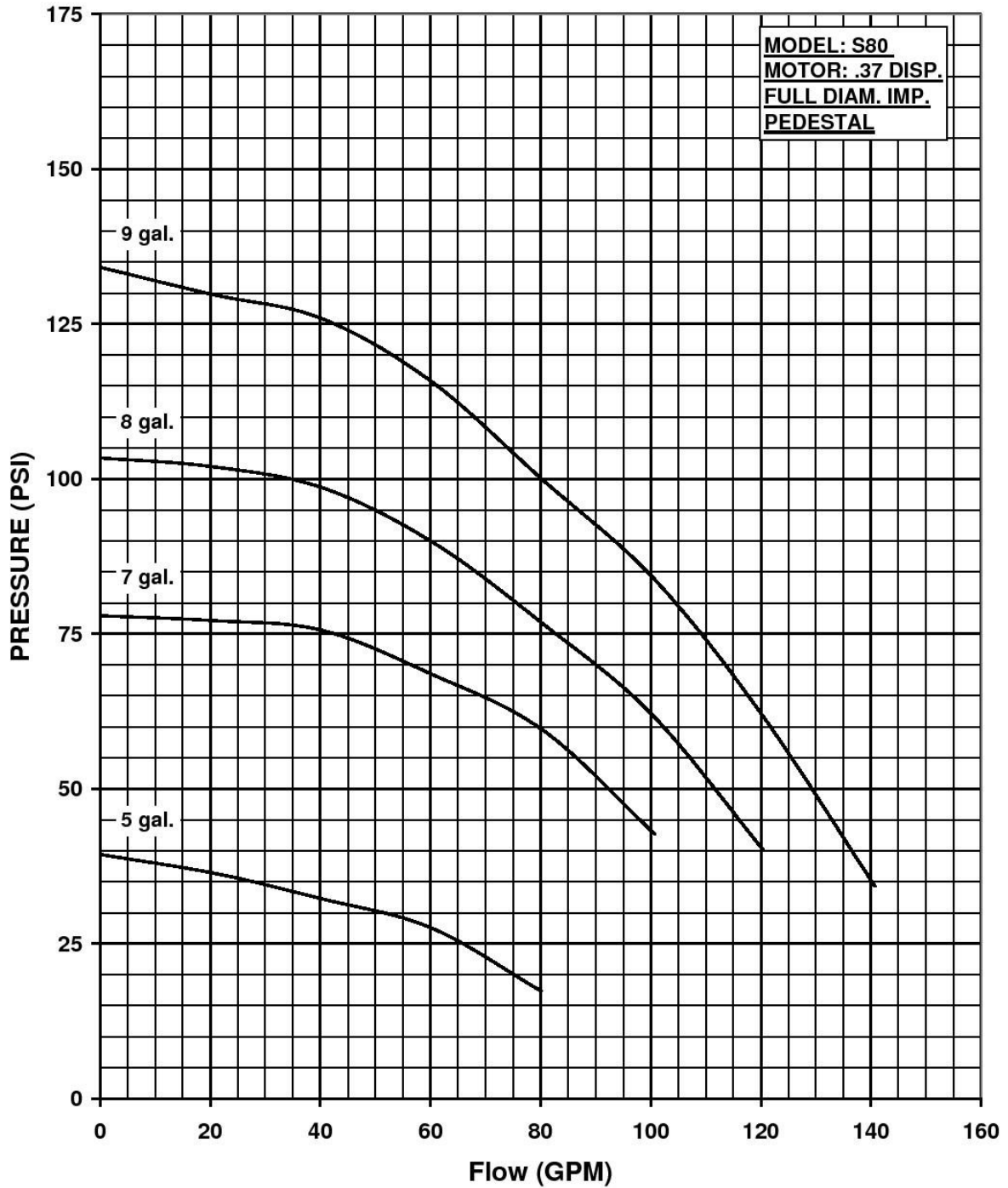


34800 BENNETT - FRASER, MI 48026-1686
 (586) 293-8240 - FAX (586) 293-8469
 (800) 563-8006 - www.mppumps.com









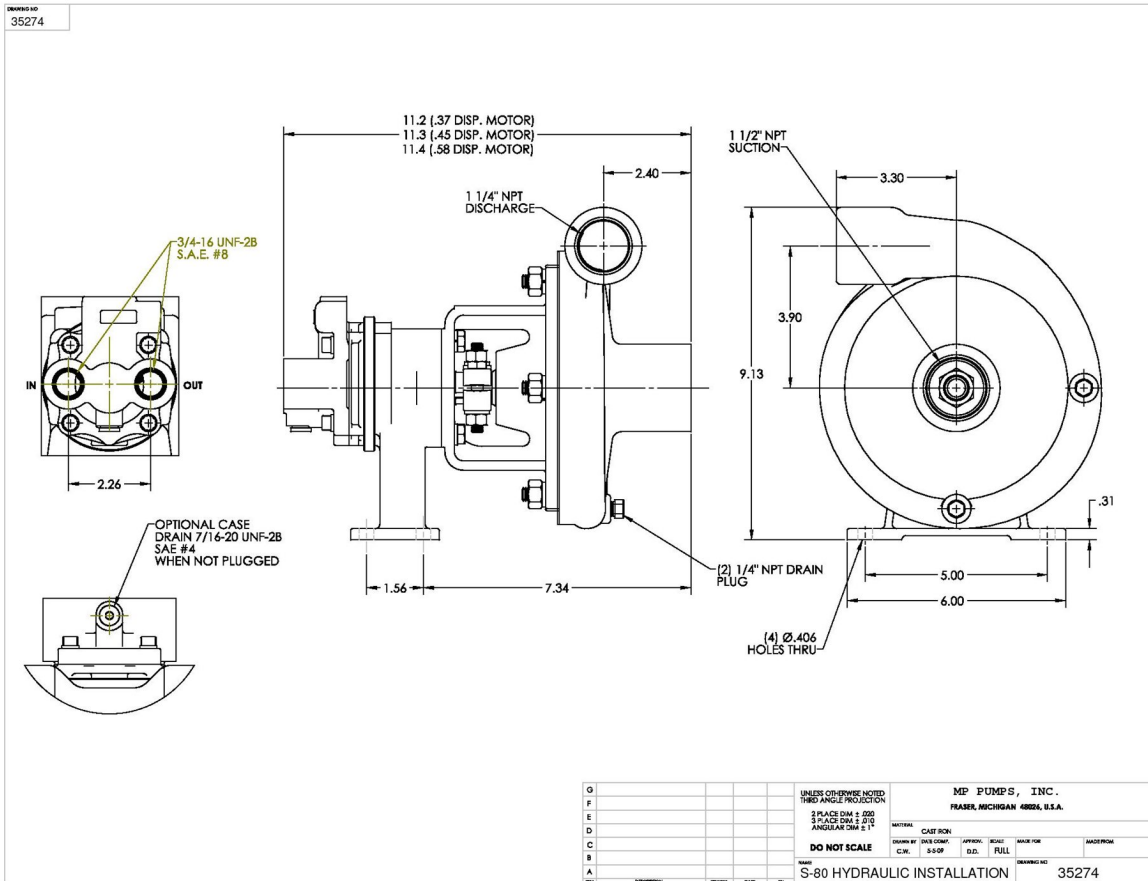
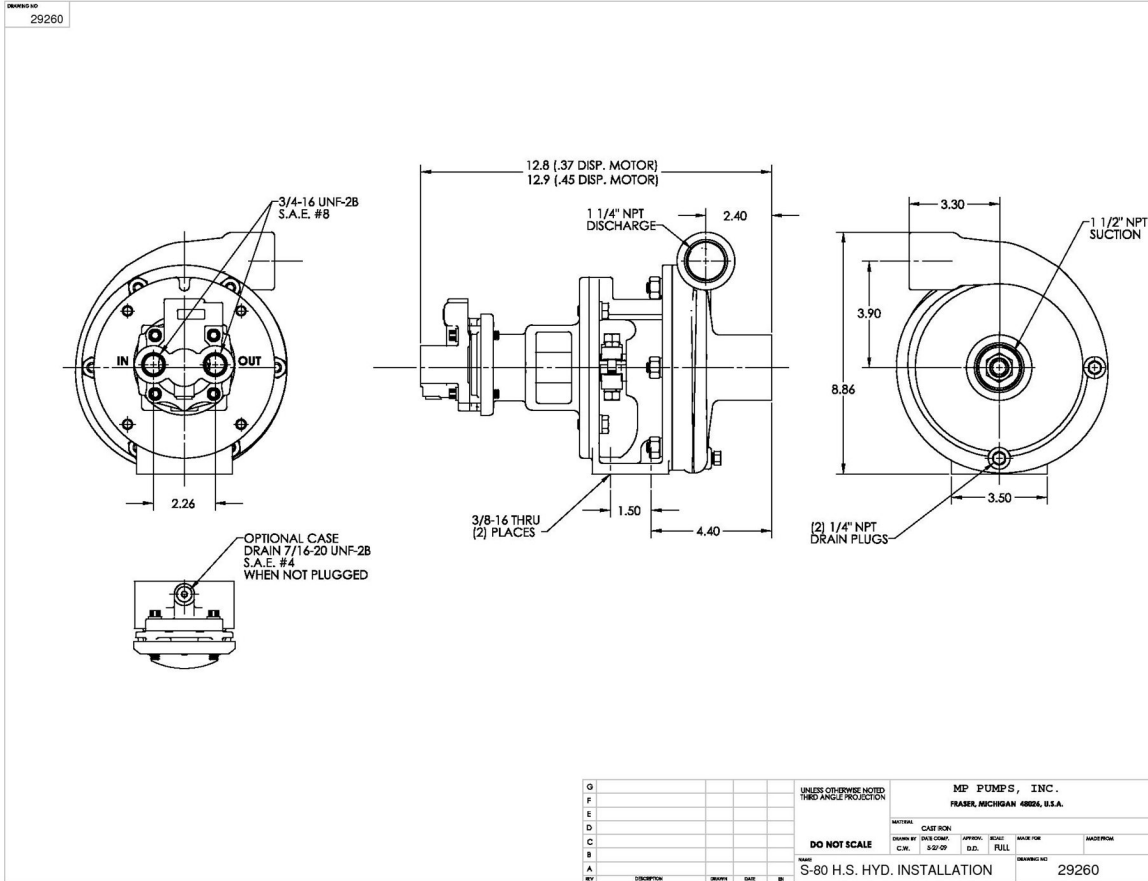
OIL FLOW	SHUT OFF 0 GPM	10 GPM	25 GPM	40 GPM	55 GPM	70 GPM	85 GPM	100 GPM	115 GPM	130 GPM	145 GPM	MAX. HYD. OIL PRESS. REQ.
5 GPM	39 PSI	37 PSI	36 PSI	32 PSI	29 PSI	23 PSI	-	-	-	-	-	1000 PSI
7 GPM	78 PSI	77 PSI	76 PSI	76 PSI	71 PSI	65 PSI	56 PSI	43 PSI	-	-	-	1700 PSI
8 GPM	104 PSI	103 PSI	101 PSI	99 PSI	93 PSI	84 PSI	74 PSI	62 PSI	46 PSI	-	-	2100 PSI
9 GPM	134 PSI	132 PSI	124 PSI	126 PSI	119 PSI	108 PSI	97 PSI	85 PSI	68 PSI	49 PSI	-	2450 PSI

CN 7129-S

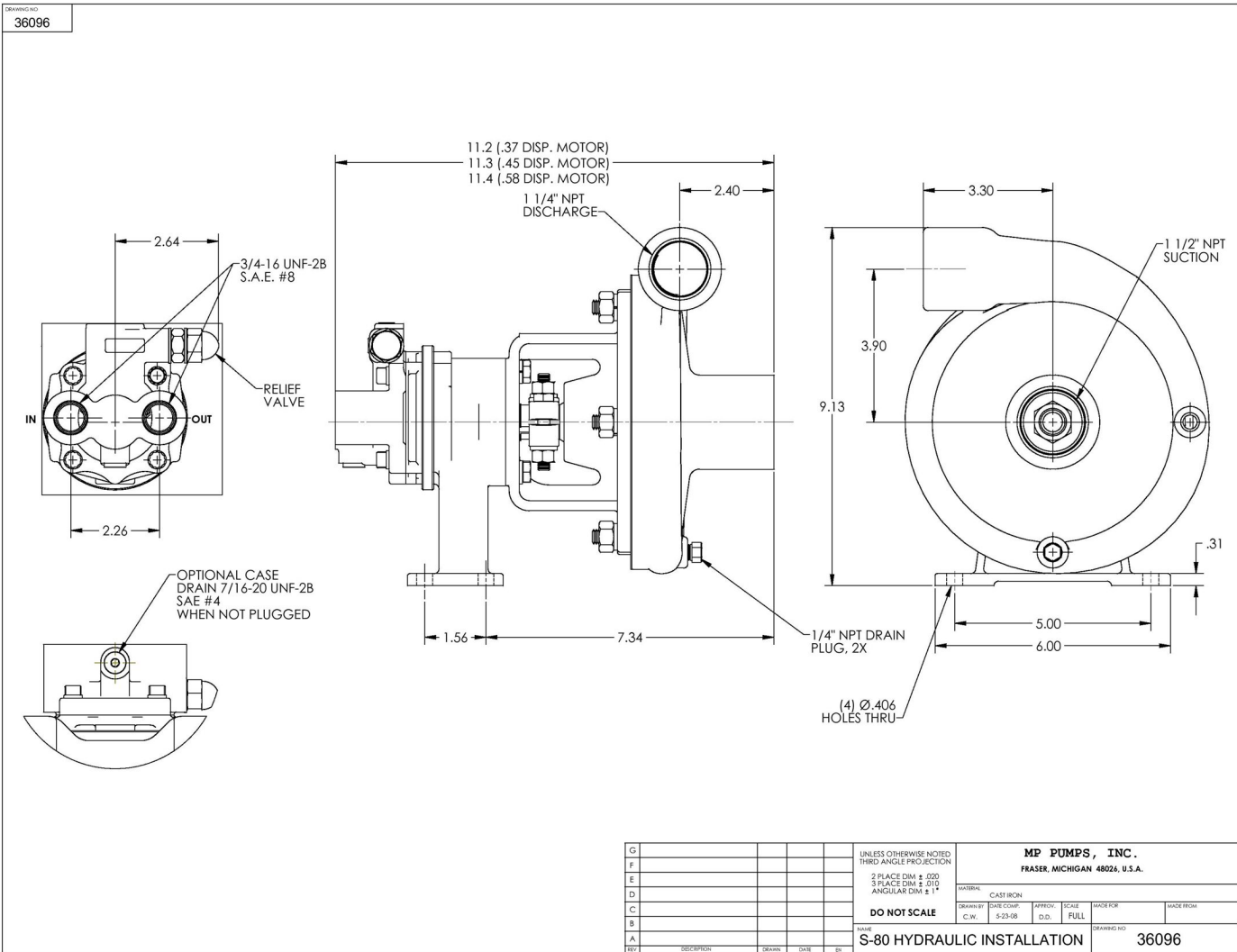


34800 BENNETT - FRASER, MI 48026-1686
 (586) 293-8240 - FAX (586) 293-8469
 (800) 563-8006 - www.mppumps.com

SERIES 80 HYDRAULIC



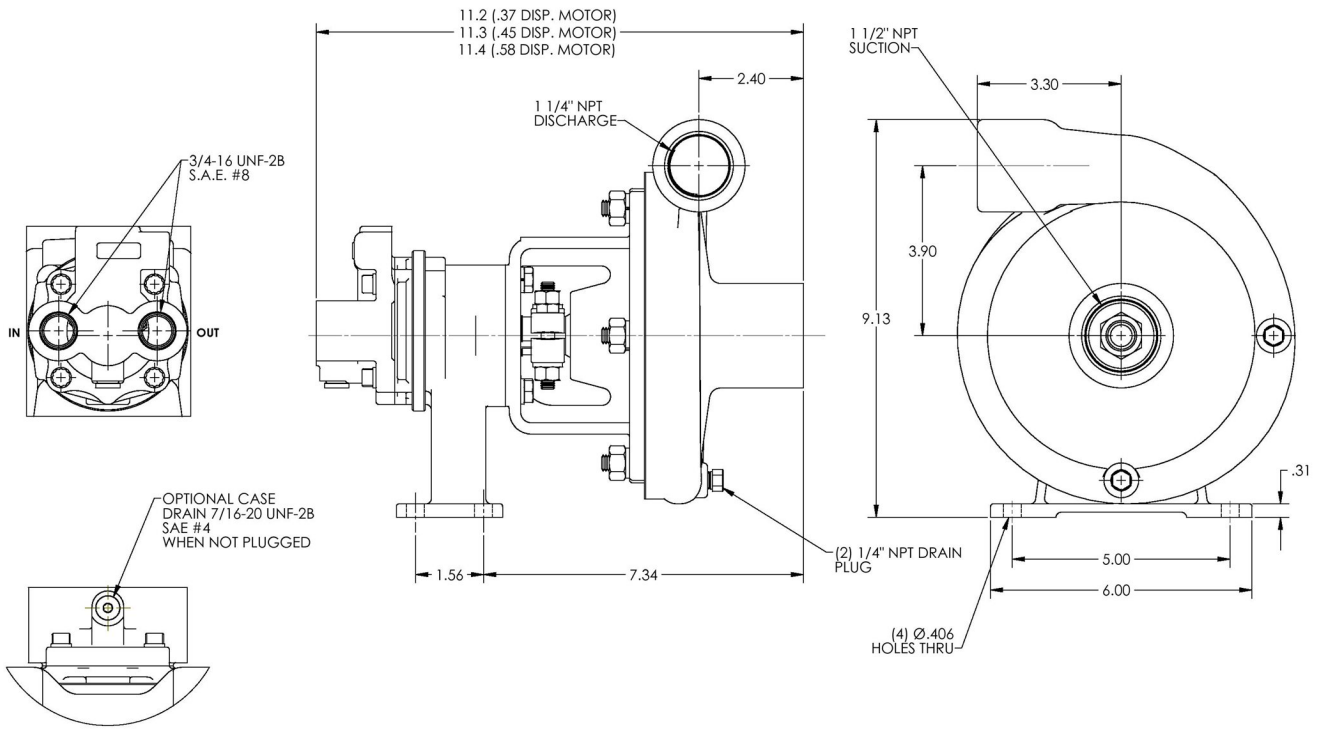
SERIES 80 HYDRAULIC



G						UNLESS OTHERWISE NOTED, THIRD ANGLE PROJECTION 2 PLACE DIM ± .020 3 PLACE DIM ± .010 ANGULAR DIM ± 1°	MP PUMPS, INC. FRASER, MICHIGAN 48026, U.S.A.						
F							MATERIAL: CAST IRON	DRAWN BY: C.J.W.	DATE COMP.: 5/23/88	APPROV.: D.L.D.	SCALE: FULL	MADE FOR:	MADE FROM:
E							DO NOT SCALE						
D													
C						NAME:	S-80 HYDRAULIC INSTALLATION				DRAWING NO:	36096	
B													
A													
REV	DESCRIPTION	DRW	DATE	BY									

SERIES 80 HYDRAULIC

36589



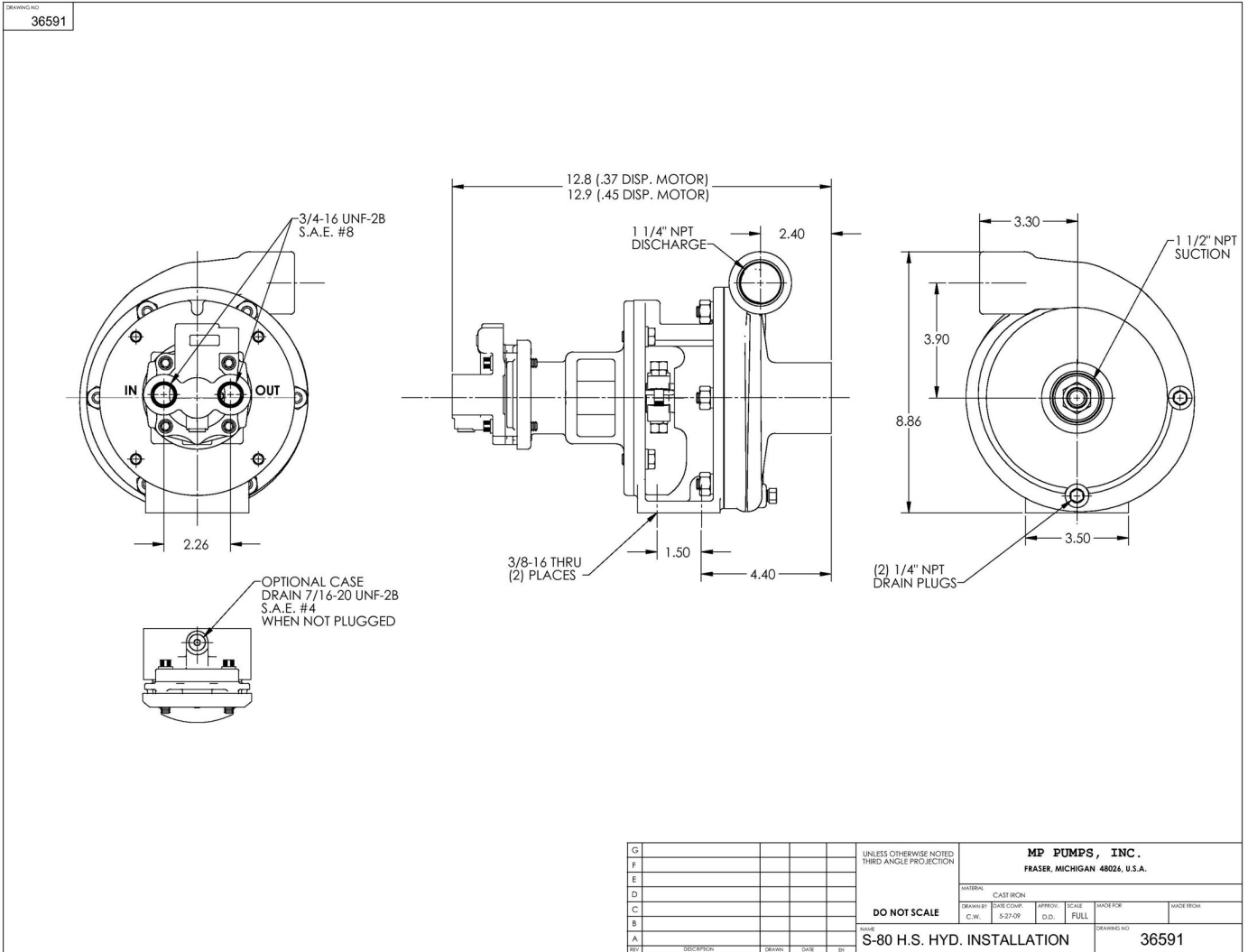
G										UNLESS OTHERWISE NOTED THIRD ANGLE PROJECTION	MP PUMPS, INC.	
F										2 PLACE DIM ± .02	FRASER, MICHIGAN 48026, U.S.A.	
E										3 PLACE DIM ± .010	MATERIAL: CAST IRON	
D										ANGULAR DIM ± 1°	DRAWN BY: DATE CORP. APPROV. SCALE MADE FOR MADE FROM	
C										DO NOT SCALE	DRAWING NO. 36589	
B											NAME	
A										S-80 HYDRAULIC INSTALLATION	DRAWING NO. 36589	
REV	DESCRIPTION	DATE	BY									



34800 BENNETT - FRASER, MI 48026-1686
 (586) 293-8240 - FAX (586) 293-8469
 (800) 563-8006 - www.mppumps.com

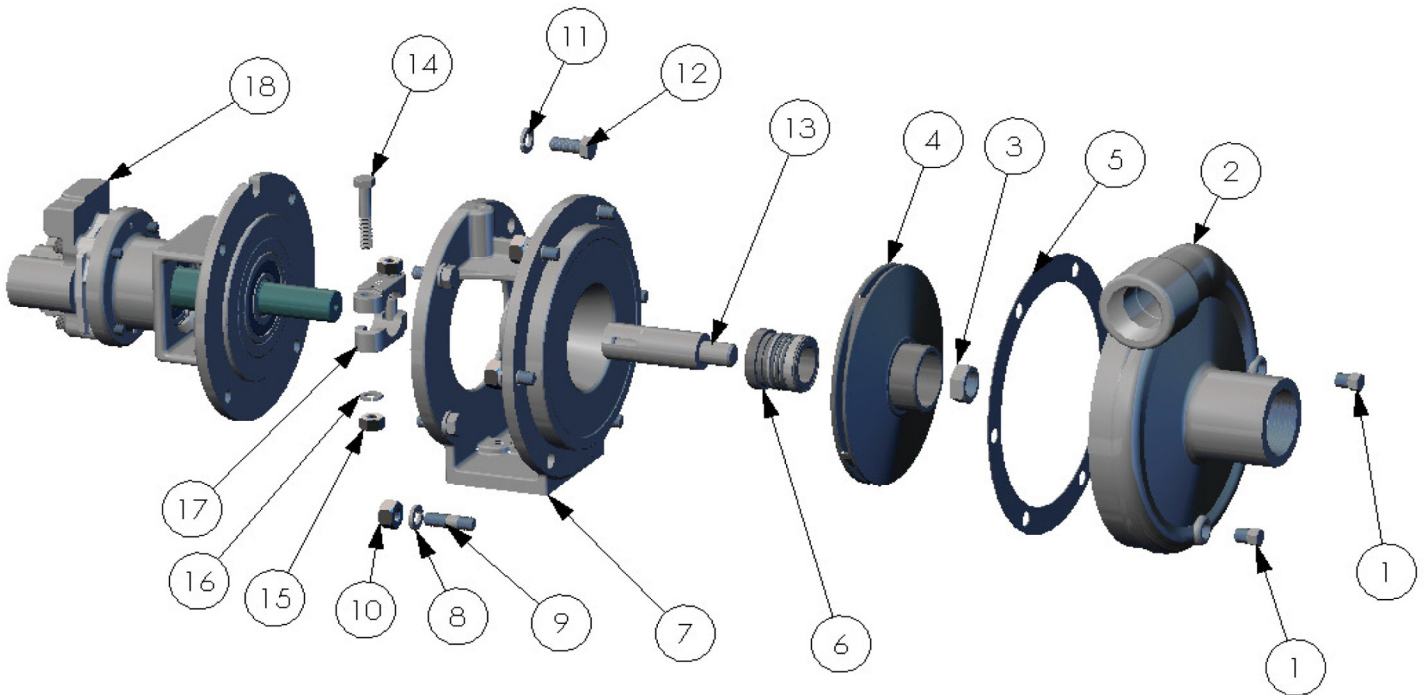
SERIES 80 HYDRAULIC

SERIES 80 HYDRAULIC



34800 BENNETT - FRASER, MI 48026-1686
 (586) 293-8240 - FAX (586) 293-8469
 (800) 563-8006 - www.mppumps.com

SERIES 80 HYDRAULIC

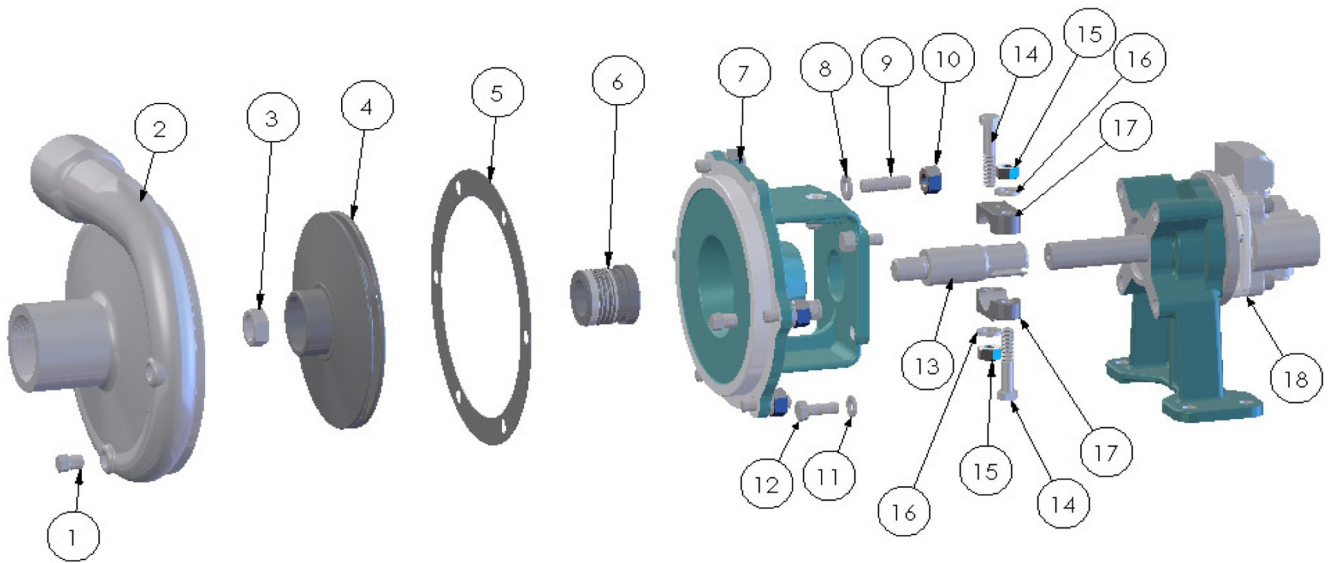


ITEM NO.	PART NO.	DESCRIPTION	QTY.
1	21585	PIPE PLUG- 1/8" NPT - ZPS	2
2	25666	HSG- DUCTILE 1.5" X 1.25"	1
3	22655	JAM NUT- 5/8"-18 S.S.	1
4	25910	IMPELLER- 5.9" O.D.	1
*	5	25662 GASKET - C-4433	1
*	6	22273 SEAL- VITON - T-2100	1
7	25332	ADAPTOR C.I.	1
8	21266	LOCKWASHER- 3/8" - S.S.	6
9	21260	STUD- 3/8"-16 X 1.32" - S.S.	6
10	21268	HEXNUT- 3/8"-16 - S.S.	6
11	21266	LOCKWASHER- 5/16" - S.S.	4
12	21251	CAPSCREW- 5/16"-24 X .875" - S.S.	4
13	22286	DRIVE SLEEVE - S.S.	1
14	21264	CAPSCREW- 5/16"-24 X 1.75" - S.S.	2
15	21284	HEXNUT- 5/16"-18 - S.S.	2
16	21266	LOCKWASHER- 3/8" - S.S.	2
17	21946	CLAMP - S.S.	2
18	34812	PED ASY: HYD GEROTOR .37 DISP	1
	35996	PED ASY: HYD GEROTOR .45 DISP	
	34813	PED ASY: HYD GEROTOR .58 DISP	

*- RECOMMENDED REPLACEMENT PARTS

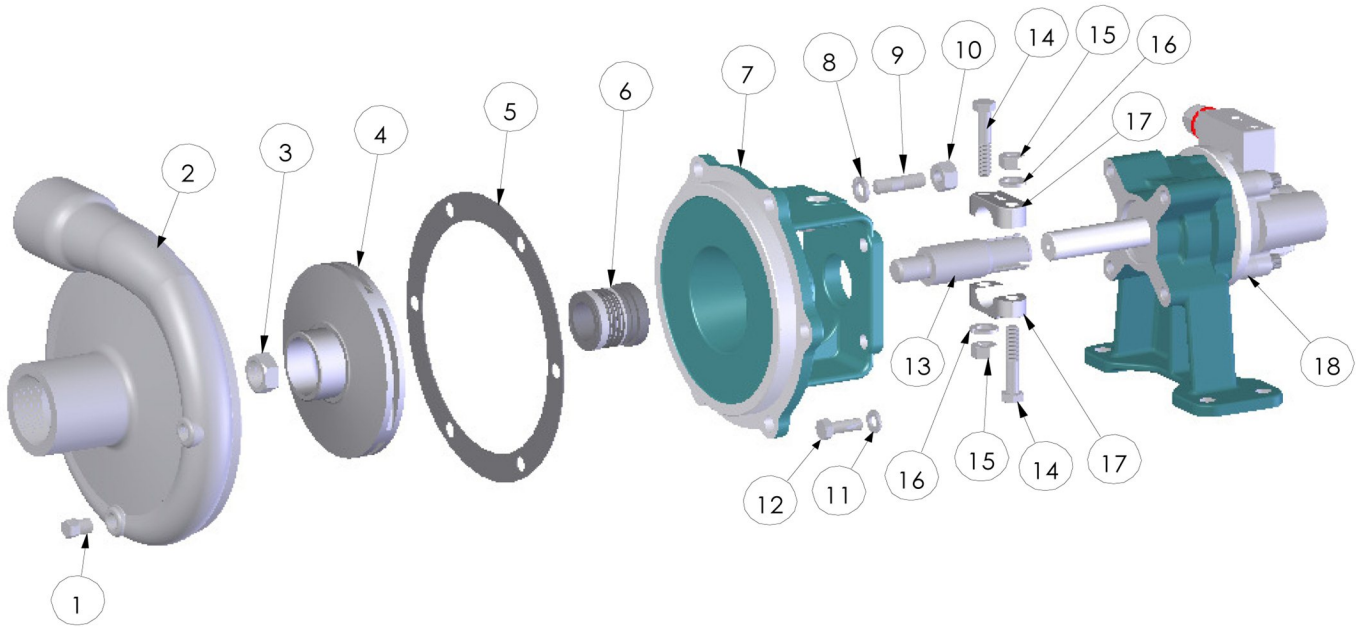


34800 BENNETT - FRASER, MI 48026-1686
 (586) 293-8240 - FAX (586) 293-8469
 (800) 563-8006 - www.mppumps.com



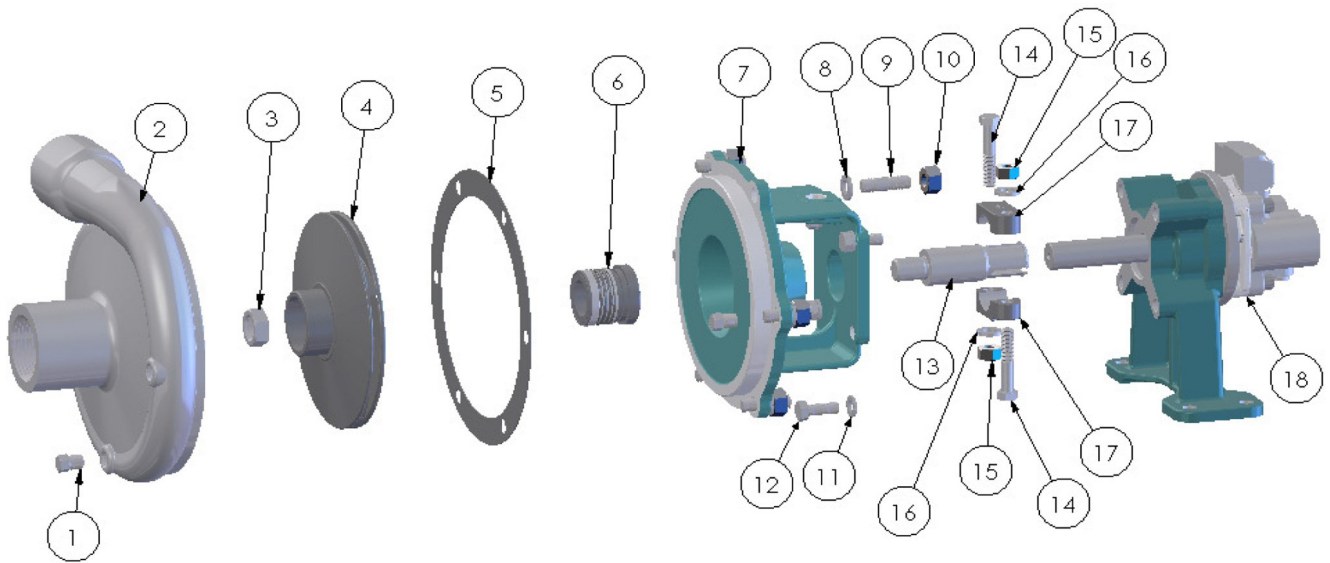
ITEM NO.	PART NO.	DESCRIPTION	QTY.
1	21585	PIPE PLUG- 1/8" NPT	1
2	25666	HSG- DUCTILE 1.5" X 1.25"	1
3	22655	JAM NUT- 5/8"-18	1
4	25910	IMPELLER- 5.9" O.D.	1
*	5	GASKET	1
*	6	SEAL- VITON	1
7	25791	ADAPTOR	1
8	21266	LOCKWASHER- 3/8"	6
9	21260	STUD- 3/8"-16 X 1.32"	6
10	21268	HEXNUT- 3/8"-16	6
11	21238	LOCKWASHER- 5/16"	4
12	21278	CAPSCREW- 5/16"-24 X .875"	4
13	22286	DRIVE SLEEVE	1
14	21264	CAPSCREW- 5/16"-24 X 1.75"	2
15	21284	HEXNUT- 5/16"-18	2
16	21266	LOCKWASHER- 3/8"	2
17	21946	CLAMP	2
18	34812	PED ASY: HYD GEROTOR .37 DISP	1
	35996	PED ASY: HYD GEROTOR .45 DISP	
	34813	PED ASY: HYD GEROTOR .58 DISP	

*- RECOMMENDED REPLACEMENT PARTS



ITEM NO.	PART NO.	DESCRIPTION	QTY.	
1	21585	PIPE PLUG- 1/8" NPT	2	
2	25666	HSG- DUCTILE 1.5" X 1.25"	1	
3	22655	JAM NUT- 5/8"-18	1	
4	25910	IMPELLER- 5.9" O.D.	1	
*	5	25662	GASKET	1
*	6	22273	SEAL- VITON	1
7	25791	ADAPTOR	1	
8	21266	LOCKWASHER- 3/8"	6	
9	21260	STUD- 3/8"-16 X 1.32"	6	
10	21268	HEXNUT- 3/8"-16	6	
11	21238	LOCKWASHER- 5/16"	4	
12	21278	CAPSCREW- 5/16"-24 X .875"	4	
13	22286	DRIVE SLEEVE	1	
14	21264	CAPSCREW- 5/16"-24 X 1.75"	2	
15	21284	HEXNUT- 5/16"-18	2	
16	21238	LOCKWASHER- 5/16"	2	
17	21946	CLAMP	2	
18	36037	PED ASY: HYD GEROTOR .37 DISP W/ R.VALVE	1	
	36040	PED ASY: HYD GEROTOR .45 DISP W/ R.VALVE		
	36041	PED ASY: HYD GEROTOR .58 DISP W/ R.VALVE		

*- RECOMMENDED REPLACEMENT PARTS



ITEM NO.	PART NO.	DESCRIPTION	QTY.
1	21585	PIPE PLUG- 1/8" NPT	2
2	25666	HSG- DUCTILE 1.5" X 1.25"	1
3	22655	JAM NUT- 5/8"-18	1
4	25910	IMPELLER- 5.9" O.D.	1
*	5	GASKET	1
*	6	SEAL- VITON	1
7	25791	ADAPTOR	1
8	21266	LOCKWASHER- 3/8"	6
9	21260	STUD- 3/8"-16 X 1.32"	6
10	21268	HEXNUT- 3/8"-16	6
11	21238	LOCKWASHER- 5/16"	4
12	21278	CAPSCREW- 5/16"-24 X .875"	4
13	22286	DRIVE SLEEVE	1
14	21264	CAPSCREW- 5/16"-24 X 1.75"	2
15	21284	HEXNUT- 5/16"-18	2
16	21238	LOCKWASHER- 5/16"	2
17	21946	CLAMP	2
18	36447	PED ASY: HYD GEROTOR .37 DISP	1
	35996	PED ASY: HYD GEROTOR .45 DISP	
	36448	PED ASY: HYD GEROTOR .58 DISP	

*- RECOMMENDED REPLACEMENT PARTS

